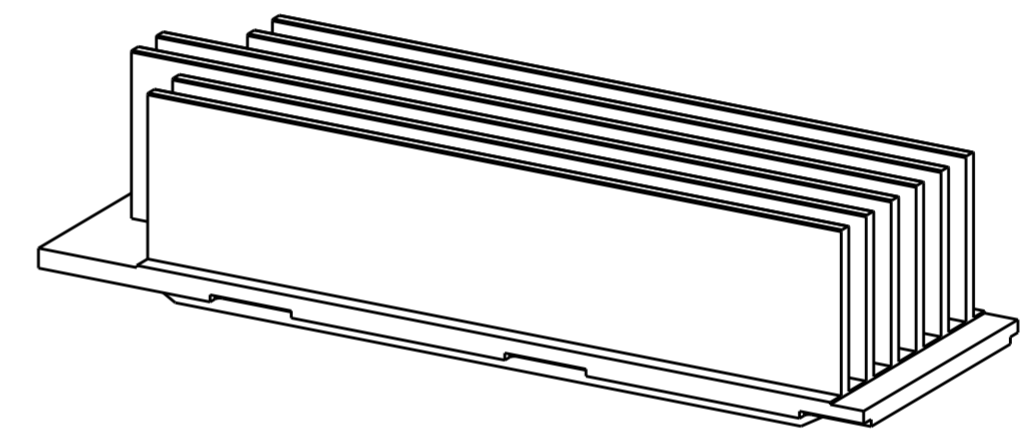
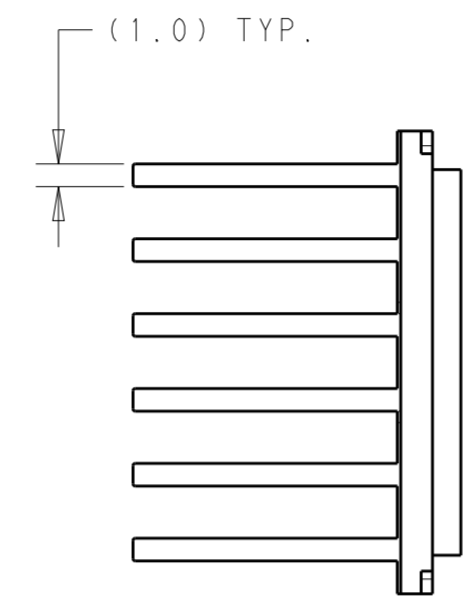
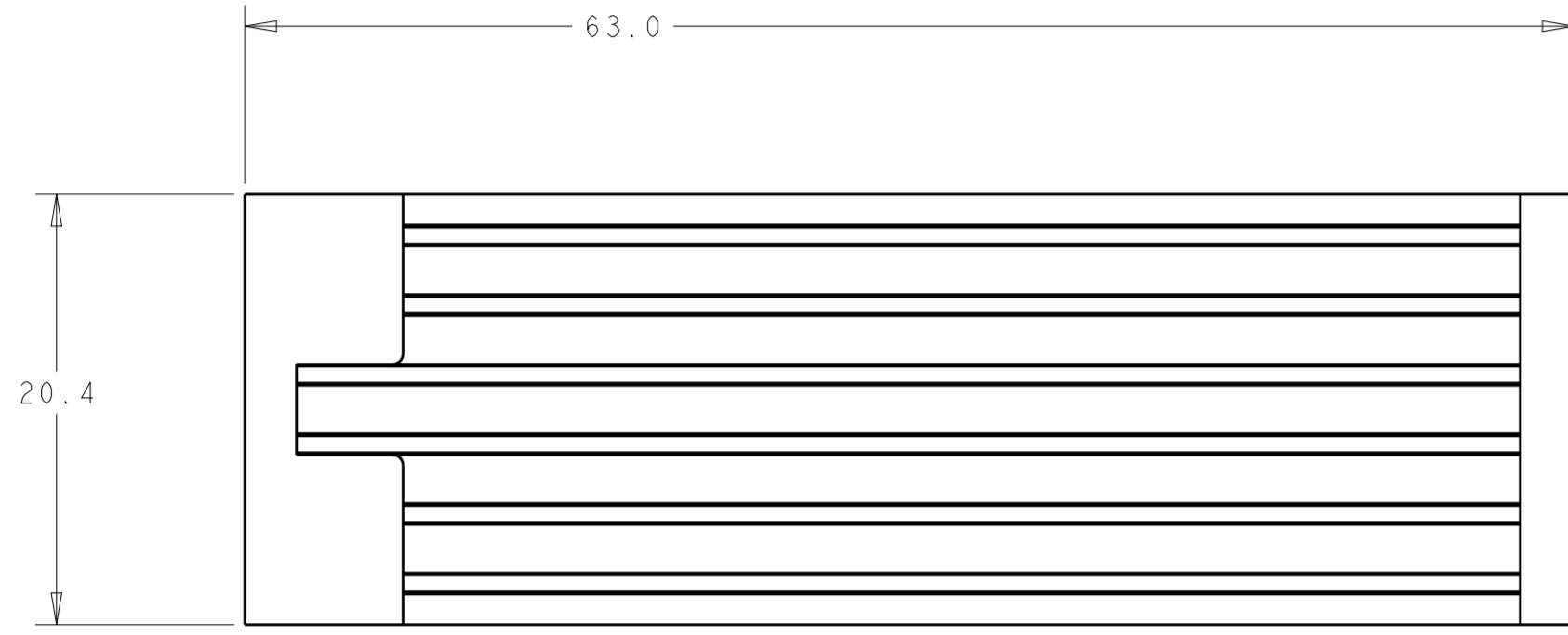
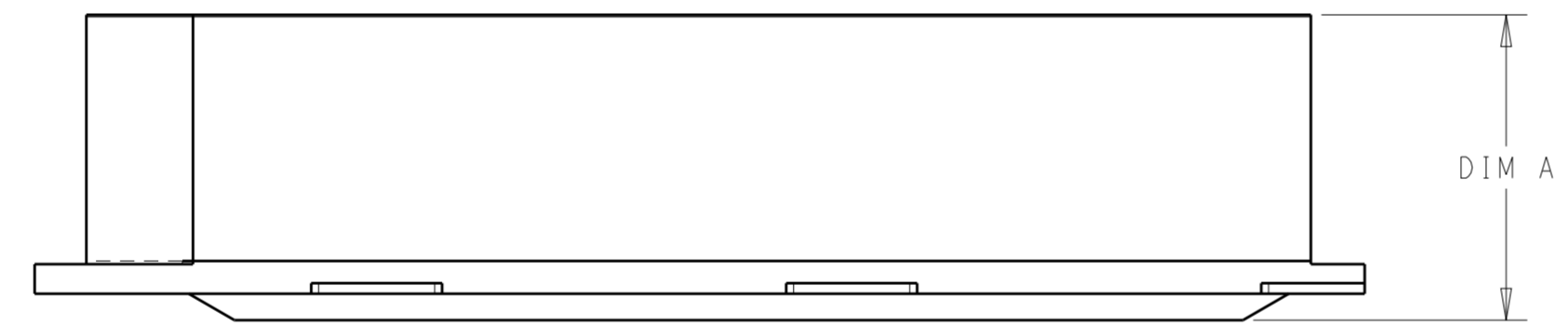


THIS DRAWING IS UNPUBLISHED. RELEASED FOR PUBLICATION 20  
 © COPYRIGHT 20 BY - ALL RIGHTS RESERVED.

| REVISIONS |     |                 |           |       |
|-----------|-----|-----------------|-----------|-------|
| P         | LTR | DESCRIPTION     | DATE      | APVD  |
| 1         |     | INITIAL RELEASE | 11OCT2016 | AD SH |
|           |     |                 |           |       |
|           |     |                 |           |       |



2288231-3 AS SHOWN  
SCALE 2:1



THIS PRINT IS  
**PRELIMINARY**  
 UNQUALIFIED PRODUCT  
 CONTACT PRODUCT ENGINEERING  
 BEFORE USING THIS PRINT

- 1 MATERIAL: ALUMINUM ALLOY;
- 2 FINISH: ELECTROLESS NICKEL;
- 3 FINISH: ANODIZED BLACK;
- 4.0.2mm MAX BURR PERMISSIBLE
- 5.VARIATION IN PLATING COLOR IS NORMAL AND ALLOWED

|        |        |             |
|--------|--------|-------------|
| 16.25  | 3      | 2288231-6   |
| 14.45  | 3      | 2288231-3   |
| DIM. A | FINISH | PART NUMBER |

|  |  |                               |  |  |
|--|--|-------------------------------|--|--|
| THIS DRAWING IS A CONTROLLED DOCUMENT. |  | DWN<br>ANDY XIE<br>11OCT2016  | <b>STE</b> TE Connectivity                       |  |
| DIMENSIONS:<br>mm                      |  | CHK<br>SEAN HAN<br>11OCT2016  |  |  |
| TOLERANCES UNLESS OTHERWISE SPECIFIED: |  | APVD<br>SEAN HAN<br>11OCT2016 | NAME<br>HEAT SINK, FRONT TO REAR AIRFLOW<br>CFP4 |  |
| 0 PLC ±                                |  | PRODUCT SPEC                  | SIZE<br>A2                                       |  |
| 1 PLC ±0.3                             |  | APPLICATION SPEC              | CAGE CODE<br>-                                   |  |
| 2 PLC ±0.25                            |  | WEIGHT                        | DRAWING NO<br>G-2288231                          |  |
| 3 PLC ±0.15                            |  | CUSTOMER DRAWING              | RESTRICTED TO<br>-                               |  |
| 4 PLC ±                                |  | SCALE 1:1                     | SHEET 1 OF 1                                     |  |
| ANGLES ±                               |  | REV 1                         |  |  |
| FINISH                                 |  |                               |  |  |

单击下面可查看定价，库存，交付和生命周期等信息

[>>TE Connectivity\(泰科\)](#)