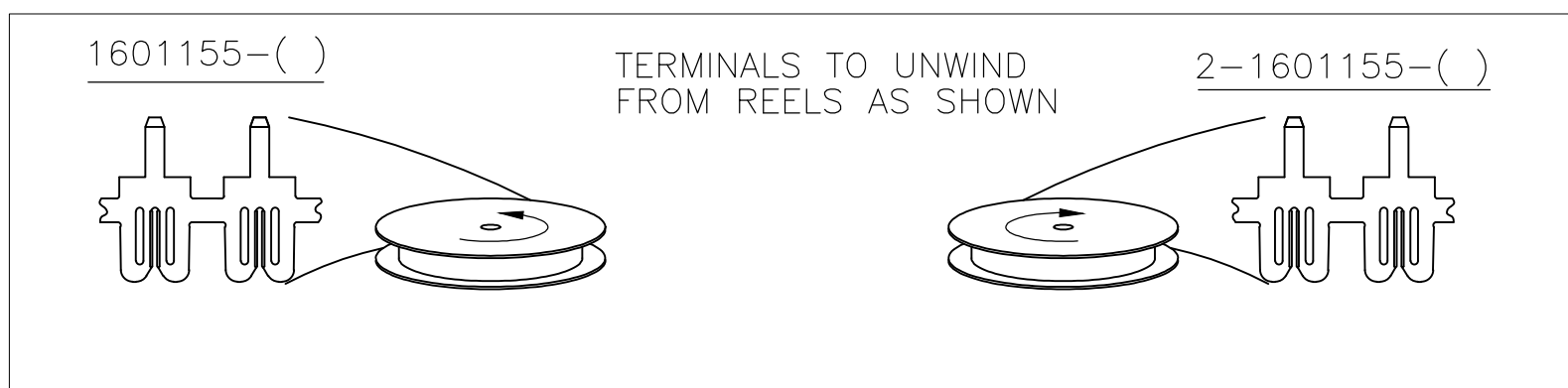
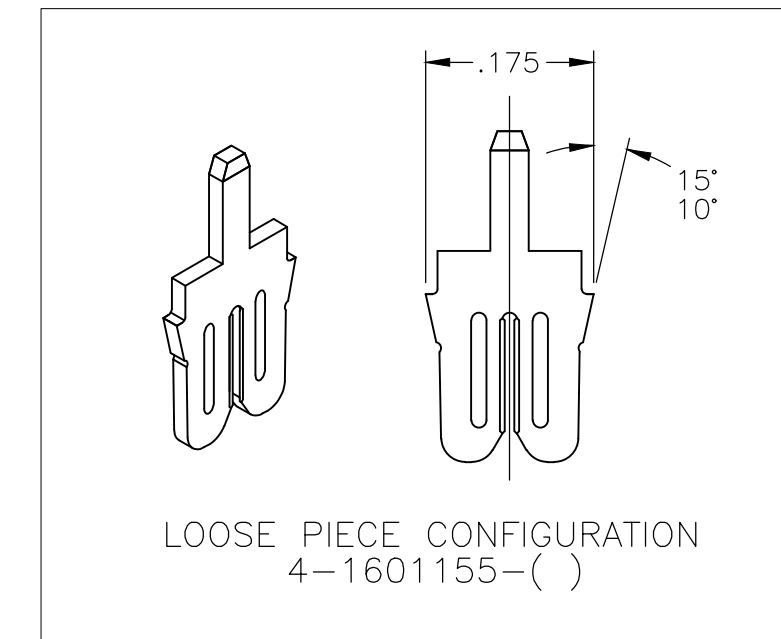
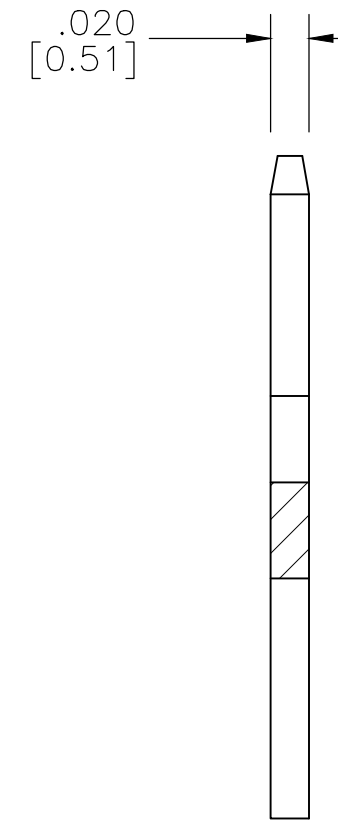
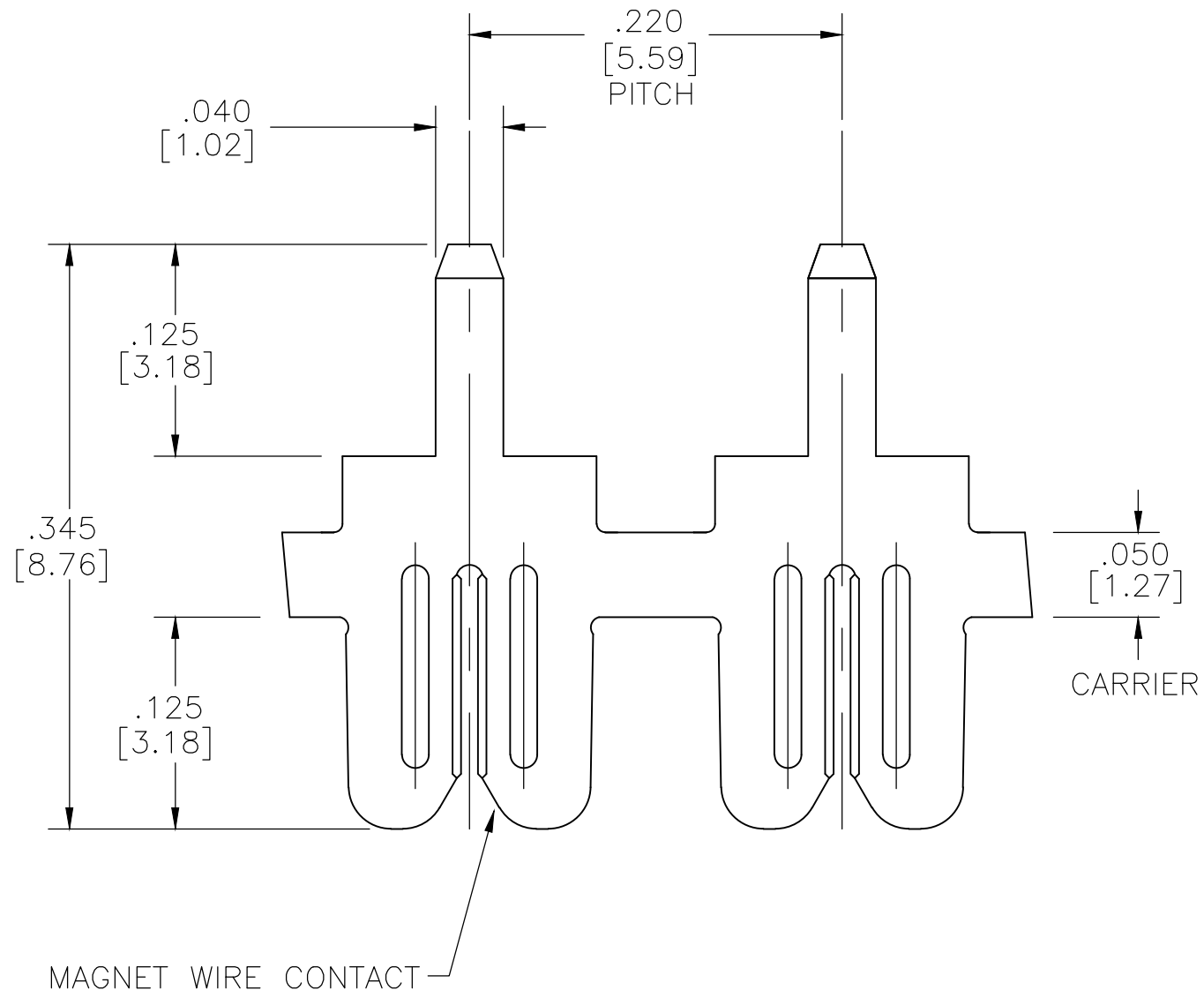


THIS DRAWING IS UNPUBLISHED. RELEASED FOR PUBLICATION
 © COPYRIGHT - TE Connectivity Ltd. ALL RIGHTS RESERVED.

REVISIONS					
P	LTR	DESCRIPTION	DATE	DWN	APVD
D		REVISED PER ECR-19-002572	26FEB2019	JH	PKS

- 1 SPECIFICATIONS: MAGNET WIRE #29 AWG, .011 [0.29] mm DIA COPPER. UP TO 2 WIRES OF THE SAME DIAMETER MAY BE CONNECTED BY A SINGLE TERMINAL. OTHER SIZES MAY BE ACCOMMODATED, CONSULT TYCO ELECTRONICS FOR APPROVAL.
- 2 POCKET RECOMMENDATION: 1601424.
- 3 TERMINAL APPLICATION TO COMPLY WITH TYCO ELECTRONICS SPEC 114-13166, FIG. 5



OBSOLETED	POST TIN OVER NICKEL	-	-	4-1601155-3
SUPERSEDED BY 4-1601155-3	SELECTIVE POST TIN-LEAD OVER COPPER	059-025-124	-	4-1601155-2
	POST TIN OVER NICKEL	-	-	1601155-3
SUPERSEDED BY 1601155-3	SELECTIVE POST TIN-LEAD OVER COPPER	159-025-124	-	1601155-2
	UNPLATED	159-025-000	-	1601155-1
	FINISH	REFERENCE PART NUMBER		PART NUMBER
THIS DRAWING IS A CONTROLLED DOCUMENT.		DWN MS FEHER 11JAN2002		
DIMENSIONS: INCHES		CHK M.FEHER 11JAN2002		
TOLERANCES UNLESS OTHERWISE SPECIFIED:		APVD K.RANDOLPH 11JAN2002		
0 PLC ± - 1 PLC ± - 2 PLC ± .01[0.25] 3 PLC ± .005[0.13] 4 PLC ± - ANGLES ± 2°		NAME PRODUCT SPEC APPLICATION SPEC		
MATERIAL BRASS, SPRING HARD	FINISH SEE TABLE	108-2085	.02 X.04 X.125 P.C.B. PIN FIXED BEAM SIAMEZE TERMINAL	
		WEIGHT 0.000000	SIZE A2	CAGE CODE 00779
		CUSTOMER DRAWING	DRAWING NO C=1601155	RESTRICTED TO -
			SCALE 1:1	SHEET 1 OF 1
				REV D

单击下面可查看定价，库存，交付和生命周期等信息

[>>TE Connectivity\(泰科\)](#)