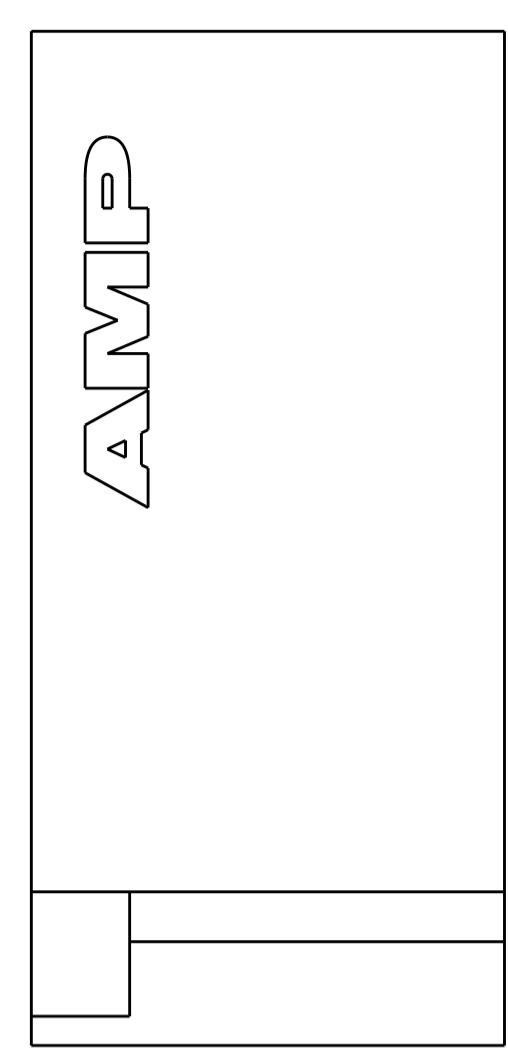
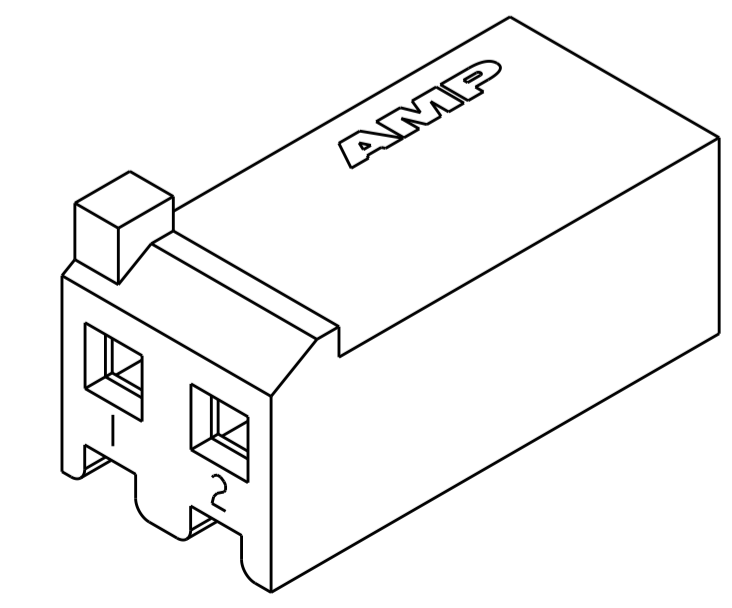
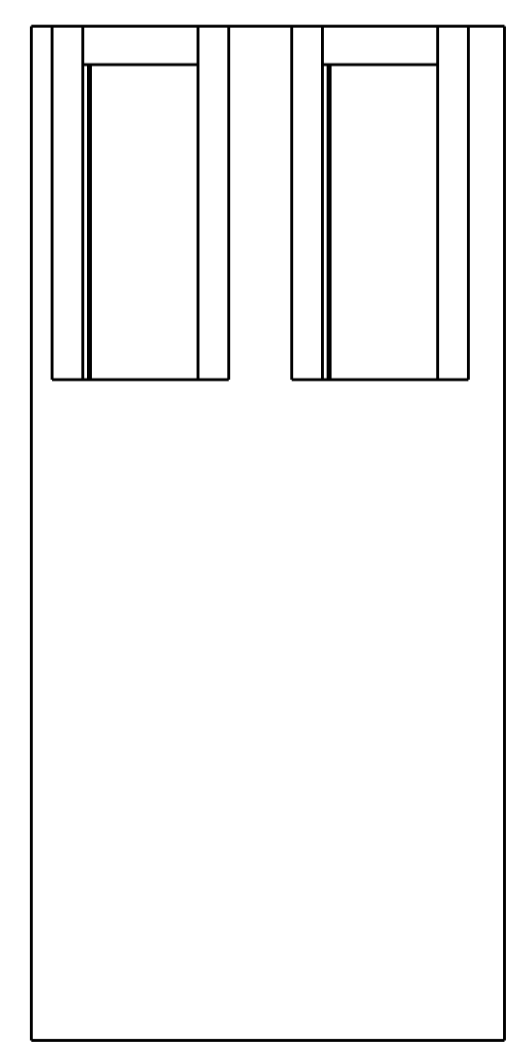
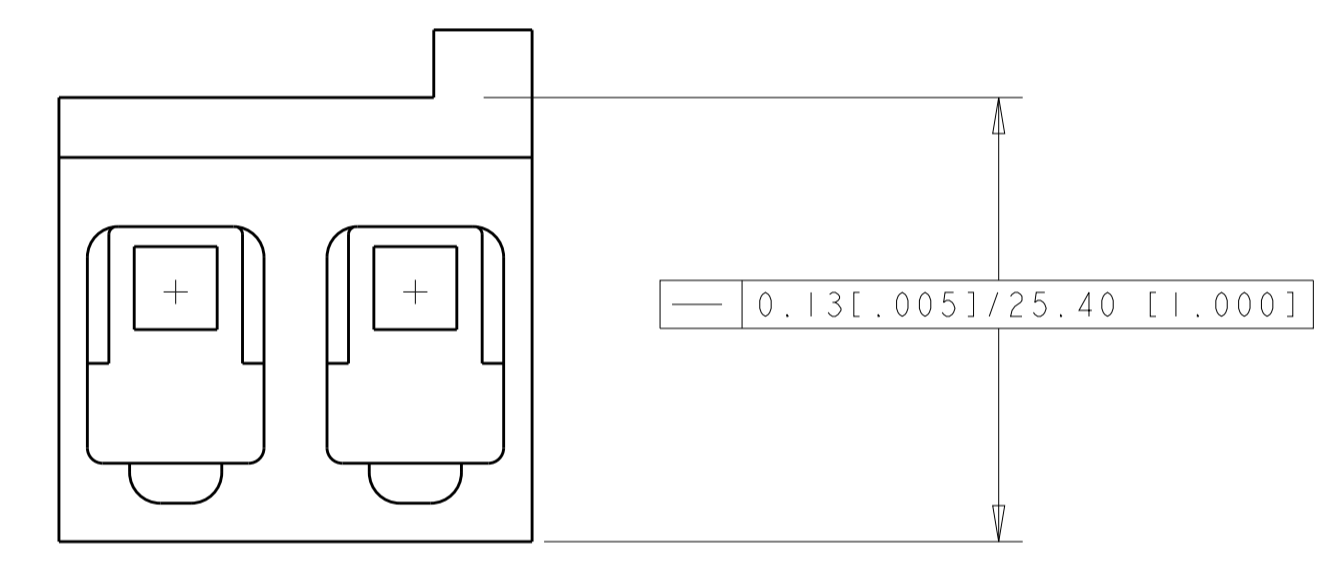
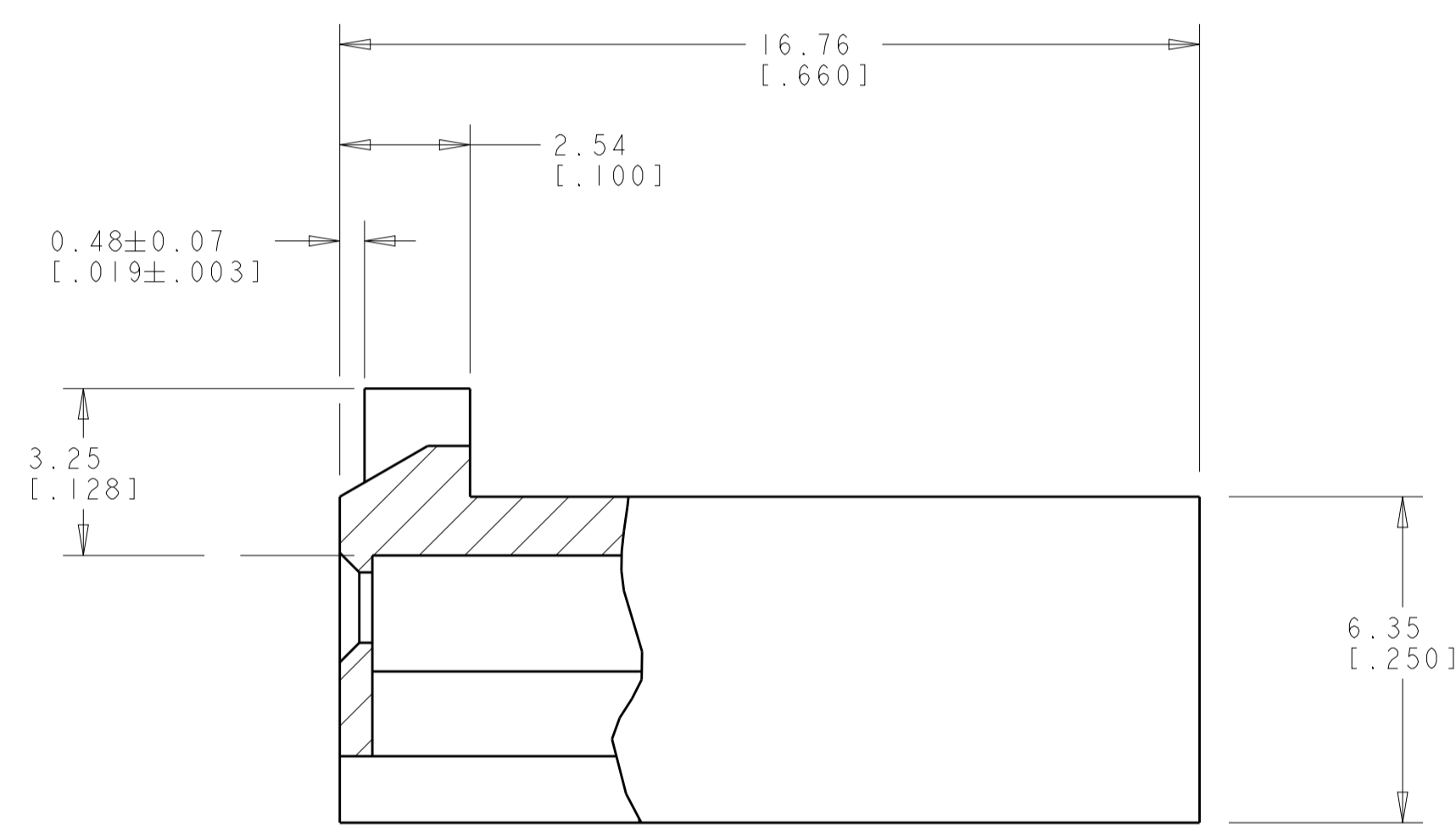
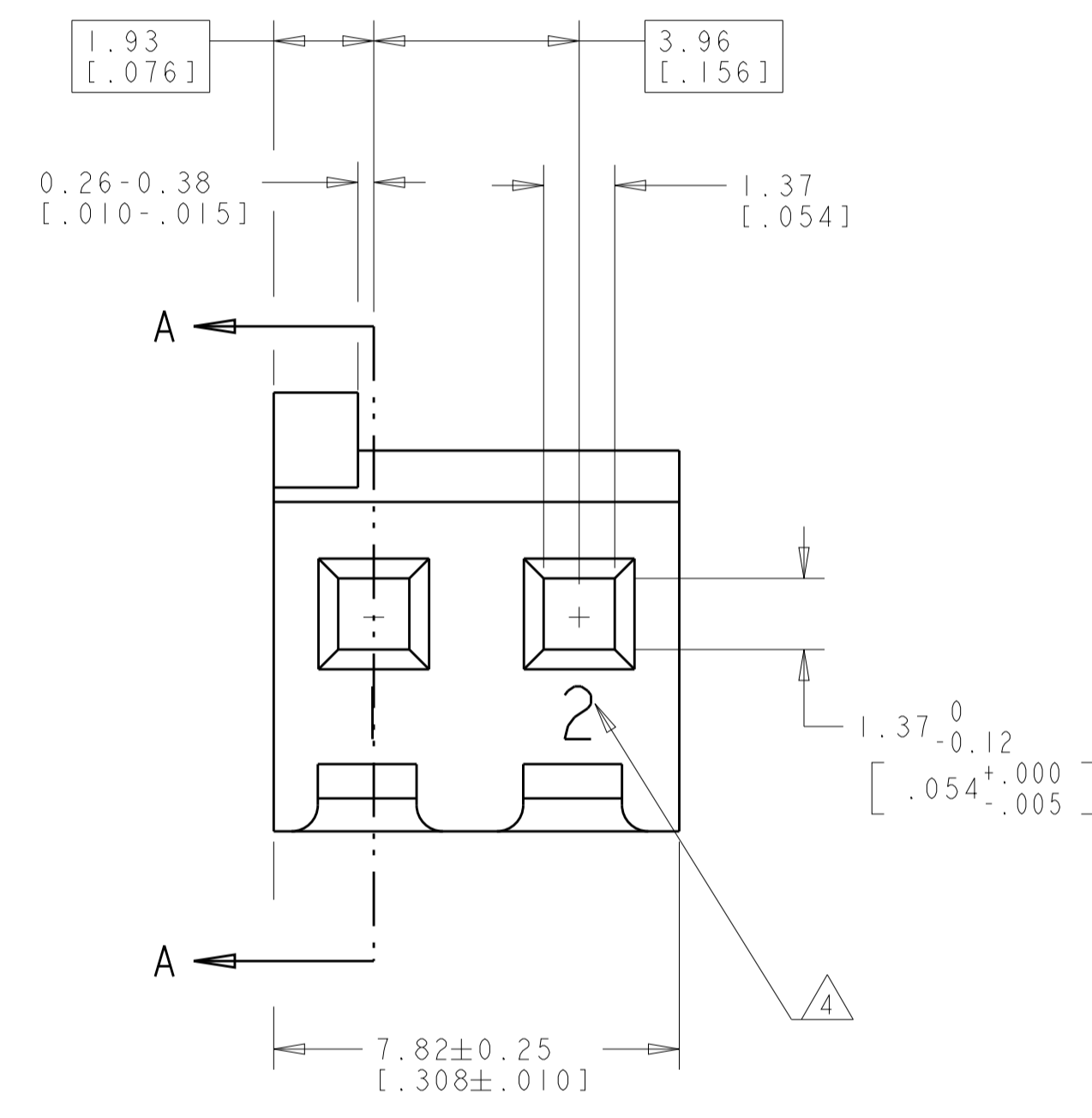


LOC	DIST	REVISIONS					
CM	00	P	LTN	DESCRIPTION	DATE	DWN	APVD
		A		REVISED PER ECO-12-007810	28JUL2012	KH	SM



1. UNIT ACCEPTS 1.14 [.045] SQUARE OR ROUND POST.
2. UNIT ACCEPTS STANDARD SL-156 CONTACTS.
3. UNIT ACCEPTS KEYING PLUG 640254-1 AND KEYING PIN 640255-1.
4. CIRCUIT I.D. NUMBER(S) TO BE LOCATED SEQUENTIALLY
5. DIMENSION IN BRACKETS ARE IN INCHES.



3-DIMENSIONAL MODEL
SCALE 5:1

2	647663-2
NO OF CIRCUITS	PART NUMBER

THIS DRAWING IS A CONTROLLED DOCUMENT.		DWN K. WHITAKER 14-JAN-04	NAME	STE TE Connectivity HOUSING, WITH LOCKING RAMP, AND POLARIZING TAB, SPECIAL, SL-156
DIMENSIONS: mm [INCHES]		CHK J. ELLIS 14-JAN-04	PRODUCT SPEC	
TOLERANCES UNLESS OTHERWISE SPECIFIED:		APVD J. ELLIS 14-JAN-04	APPLICATION SPEC	
0 PLC ± 1 PLC ± 2 PLC ±0.13 [.005] 3 PLC ± 4 PLC ± ANGLES ± 40° 30'		FINISH	RESTRICTED TO	
MATERIAL NYLON, UL 94V-0 NATURAL		WEIGHT	SIZE A100779C=647663	SCALE 8:1 SHEET 1 OF 1 REV A
		CUSTOMER DRAWING		

单击下面可查看定价，库存，交付和生命周期等信息

[>>TE Connectivity\(泰科\)](#)