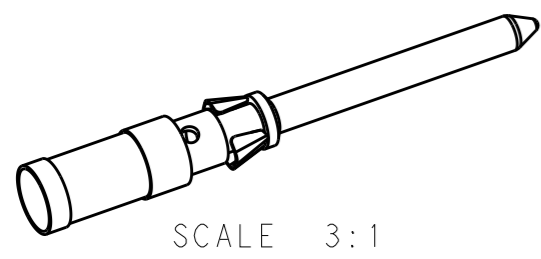
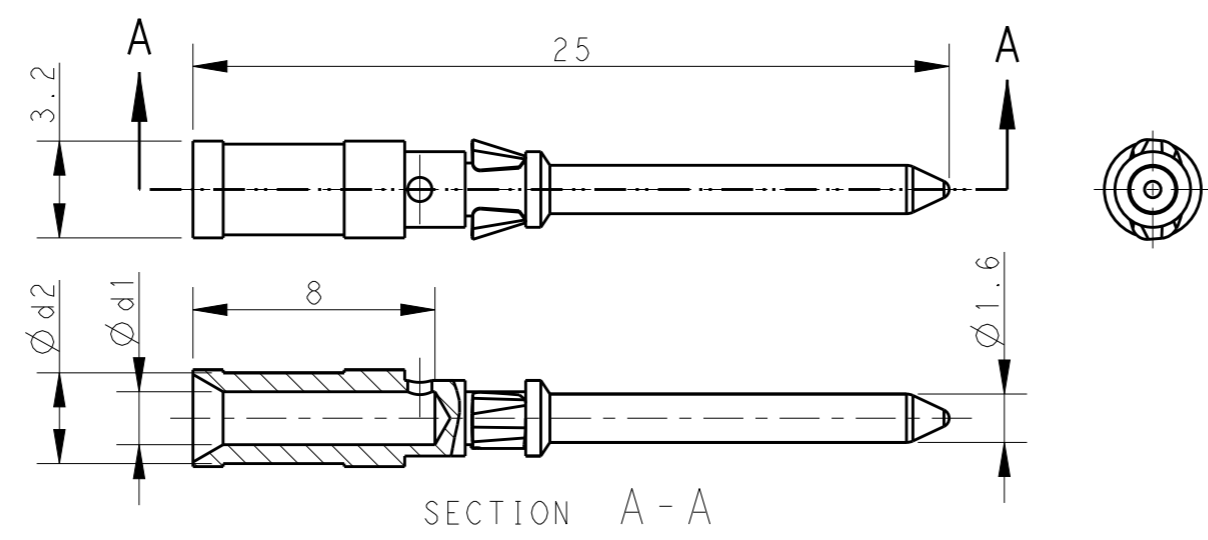


THIS DRAWING IS UNPUBLISHED. RELEASED FOR PUBLICATION 20  
 © COPYRIGHT 20 BY - ALL RIGHTS RESERVED.

P	LTR	DESCRIPTION	DATE	DWN	APVD
	A	INITIAL	22NOV2014	DW	CW
	A1	ECR-15-010519	20JUN2015	DW	CW
	A2	ECR-17-014183	27SEP2017	DW	CW

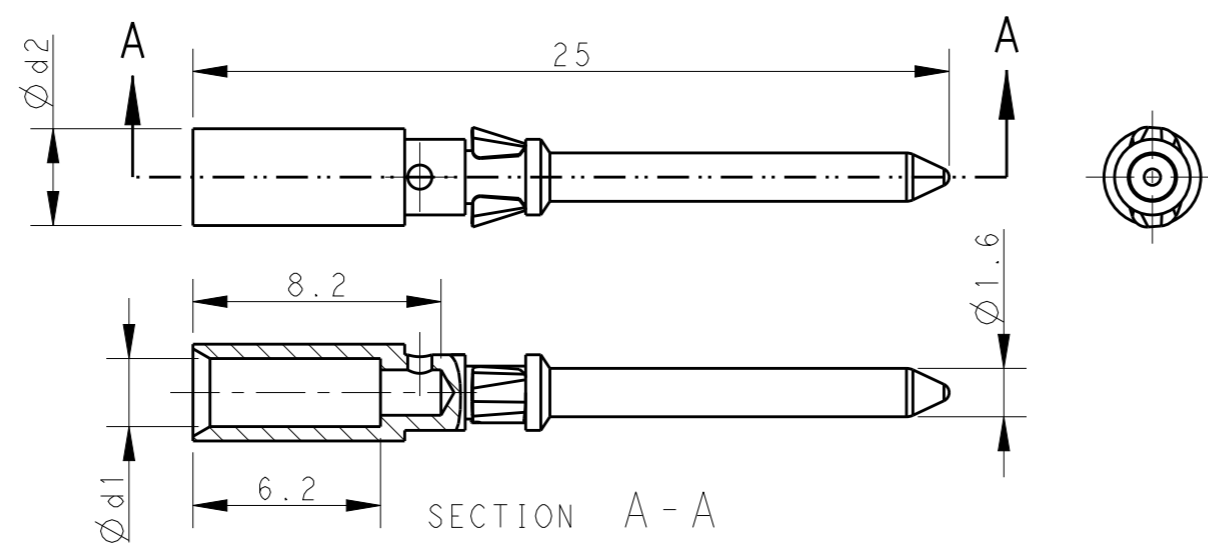


1)  $\phi d1 = 0.90, 1.10, 1.30, 1.45, 1.75$



NOTES:  
 1. TECHNICAL CHARACTERISTICS:  
 PIN CONTACT MATERIAL: BRASS  
 SURFACE PLATING:  
 SILVER PLATING:  $\geq 2\mu m$   
 GOLD PLATING:  $\geq 0.75\mu m$   
 CONTACT RESISTANCE:  $\leq 5 m\Omega$   
 WIRE RANGE: 0.14-2.5 mm<sup>2</sup> (26-14 AWG)  
 OPERATION TEMPERATURE: -40-+125°C

2)  $\phi d1 = 2.25$



注释:  
 1. 技术参数:  
 公针材料: 黄铜  
 表面电镀:  
 镀银:  $\geq 2\mu m$   
 镀金:  $\geq 0.75\mu m$   
 接触电阻:  $\leq 5 m\Omega$   
 接线范围: 0.14-2.5 mm<sup>2</sup> (26-14 AWG)  
 工作温度: -40-+125°C

SILVER PLATING 镀银			GOLD PLATING 镀金			$\phi d1$	$\phi d2$	WIRE GAUGE 线规		STRIPPING LENGTH 剥线长度 (mm)
PART NUMBER 料号	PART DESCRIPTION 描述		PART NUMBER 料号	PART DESCRIPTION 描述				MM <sup>2</sup>	AWG	
T2020001002-000	CDM-0.3	CDM-0.3, SILVER PLATING DD公针 0.14-0.37mm <sup>2</sup> , 镀银	T2020011002-000	DDM-0.3	DDM-0.3, GOLD PLATING DD公针 0.14-0.37mm <sup>2</sup> , 镀金	0.90	2.55	0.14-0.37	26-22	8
T2020001005-000	CDM-0.5	CDM-0.5, SILVER PLATING DD公针 0.5mm <sup>2</sup> , 镀银	T2020011005-000	DDM-0.5	DDM-0.5, GOLD PLATING DD公针 0.5mm <sup>2</sup> , 镀金	1.10	2.60	0.5	20	
T2020001008-000	CDM-0.75	CDM-0.75, SILVER PLATING DD公针 0.75mm <sup>2</sup> , 镀银	T2020011008-000	DDM-0.75	DDM-0.75, GOLD PLATING DD公针 0.75mm <sup>2</sup> , 镀金	1.30	2.60	0.75	18	
T2020001010-000	CDM-1.0	CDM-1.0, SILVER PLATING DD公针 1.0mm <sup>2</sup> , 镀银	T2020011010-000	DDM-1.0	DDM-1.0, GOLD PLATING DD公针 1.0mm <sup>2</sup> , 镀金	1.45	2.60	1.0	18	
T2020001015-000	CDM-1.5	CDM-1.5, SILVER PLATING DD公针 1.5mm <sup>2</sup> , 镀银	T2020011015-000	DDM-1.5	DDM-1.5, GOLD PLATING DD公针 1.5mm <sup>2</sup> , 镀金	1.75	3.00	1.5	16	
T2020001025-000	CDM-2.5	CDM-2.5, SILVER PLATING DD公针 2.5mm <sup>2</sup> , 镀银	T2020011025-000	DDM-2.5	DDM-2.5, GOLD PLATING DD公针 2.5mm <sup>2</sup> , 镀金	2.25	3.20	2.5	14	6.2

THIS DRAWING IS A CONTROLLED DOCUMENT.

DIMENSIONS: mm	TOLERANCES UNLESS OTHERWISE SPECIFIED: 0 PLC $\pm$ - 1 PLC $\pm$ - 2 PLC $\pm$ - 3 PLC $\pm$ - 4 PLC $\pm$ - ANGLES $\pm$ -
MATERIAL	FINISH

DWN	22NOV2014
David Wang	
CHK	22NOV2014
Chris Wang	
APVD	22NOV2014
Xiang Xu	
PRODUCT SPEC	108-137042
APPLICATION SPEC	114-137042
WEIGHT	-
Customer Drawing	

**STE** TE Connectivity

NAME: CDM/DDM HD/HDD PIN CONTACT

SIZE	CAGE CODE	DRAWING NO	RESTRICTED TO
A3	00779	T20200X10XX000	-

SCALE 4:1 SHEET 1 OF 1 REV A2

单击下面可查看定价，库存，交付和生命周期等信息

[>>TE Connectivity\(泰科\)](#)