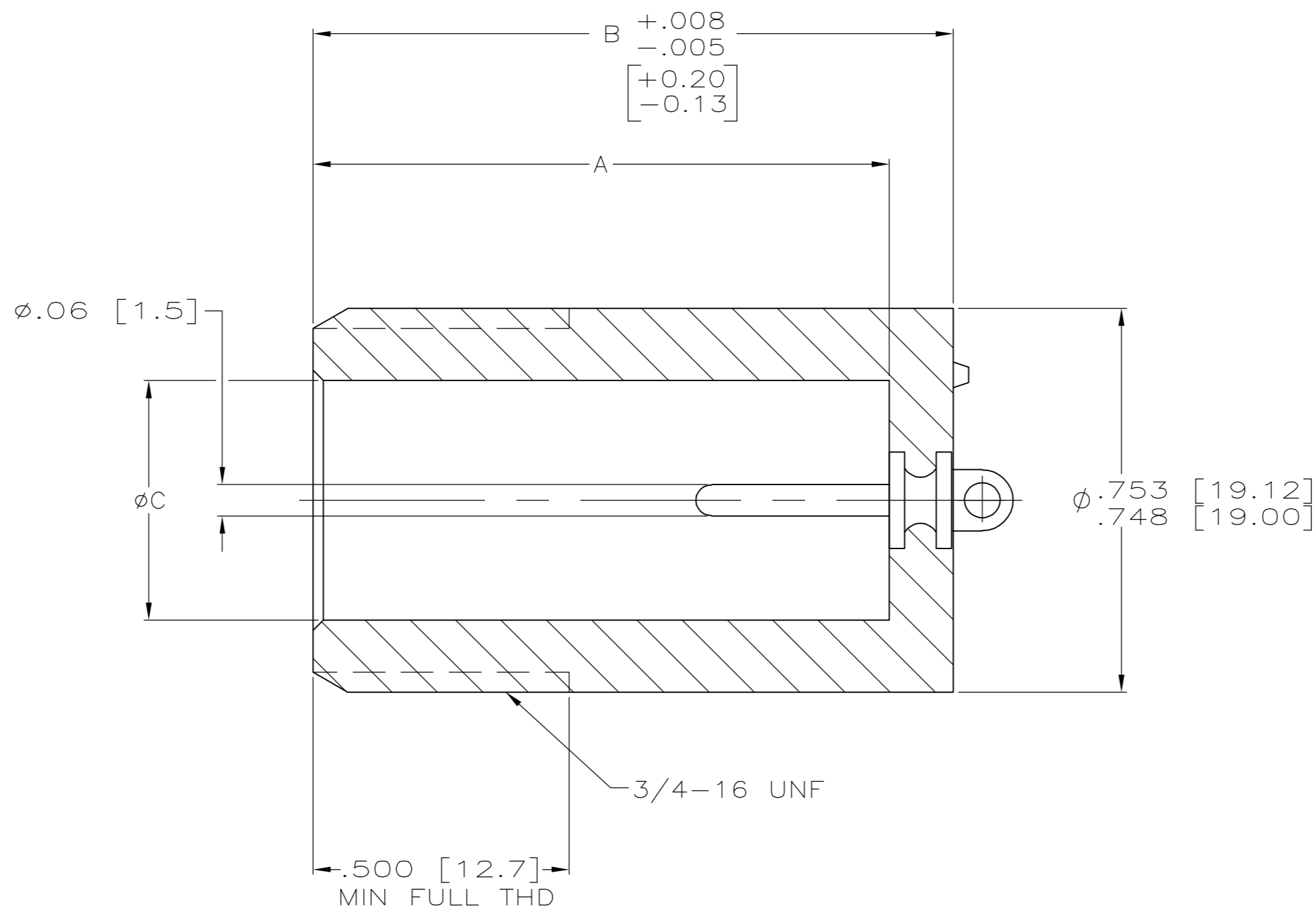


THIS DRAWING IS UNPUBLISHED. RELEASED FOR PUBLICATION - N/A .
 © COPYRIGHT N/A BY TYCO ELECTRONICS CORPORATION. ALL RIGHTS RESERVED.

LOC	DIST	REVISIONS					
DF	S0	P	LTR	DESCRIPTION	DATE	DWN	APVD
		0		REV PER 0H14-0191-05	05-05	AA	DE

PART NO.	DIM A	DIM B	DIM C	TERMINAL PLATING	SIZE
5849587-9	1.812 [46.0]	1.937 [49.2]	.312 [7.9]		LGH-3
1-5849587-1	1.437 [36.5]	1.562 [39.7]	.468 [11.9]		LGH-2
1-5849587-9	1.125 [28.6]	1.250 [31.7]	.312 [7.9]		LGH-3

- TIN PLATED .0001 [0.0025] MIN THK PER ASTM-B-545.
- 2. LGH-2 RECEPTACLE TO MATE WITH AMP LGH-2 LEAD ASSEMBLY.
- 3. LGH-3 RECEPTACLE TO MATE WITH AMP LGH-3 LEAD ASSEMBLY.



THIS DRAWING IS A CONTROLLED DOCUMENT.		DWN A.H.ANDERSON 18-MAY-05	tyco Tyco Electronics Corporation																			
DIMENSIONS: INCHES		CHK D. EABY 18-MAY-05	Harrisburg, Pa 17105-3608																			
TOLERANCES UNLESS OTHERWISE SPECIFIED:		APVD D. EABY 18-MAY-05	NAME MOLDED RECEPTACLE																			
<table border="0"> <tr><td>0 PLC</td><td>±</td><td>-</td></tr> <tr><td>1 PLC</td><td>±</td><td>-</td></tr> <tr><td>2 PLC</td><td>±</td><td>.04[1.0]</td></tr> <tr><td>3 PLC</td><td>±</td><td>.015[0.38]</td></tr> <tr><td>4 PLC</td><td>±</td><td>-</td></tr> <tr><td>ANGLES</td><td>±</td><td>-</td></tr> </table>		0 PLC	±	-	1 PLC	±	-	2 PLC	±	.04[1.0]	3 PLC	±	.015[0.38]	4 PLC	±	-	ANGLES	±	-	PRODUCT SPEC -	LGH-2 , LGH-3	
0 PLC	±	-																				
1 PLC	±	-																				
2 PLC	±	.04[1.0]																				
3 PLC	±	.015[0.38]																				
4 PLC	±	-																				
ANGLES	±	-																				
MATERIAL -		FINISH -	WEIGHT -	RESTRICTED TO -																		
CUSTOMER DRAWING		SCALE 4:1	SIZE A2	REV 0																		
		CAGE CODE 00779	DRAWING NO C=5849587	SHEET 1 OF 1																		

单击下面可查看定价，库存，交付和生命周期等信息

[>>TE Connectivity\(泰科\)](#)