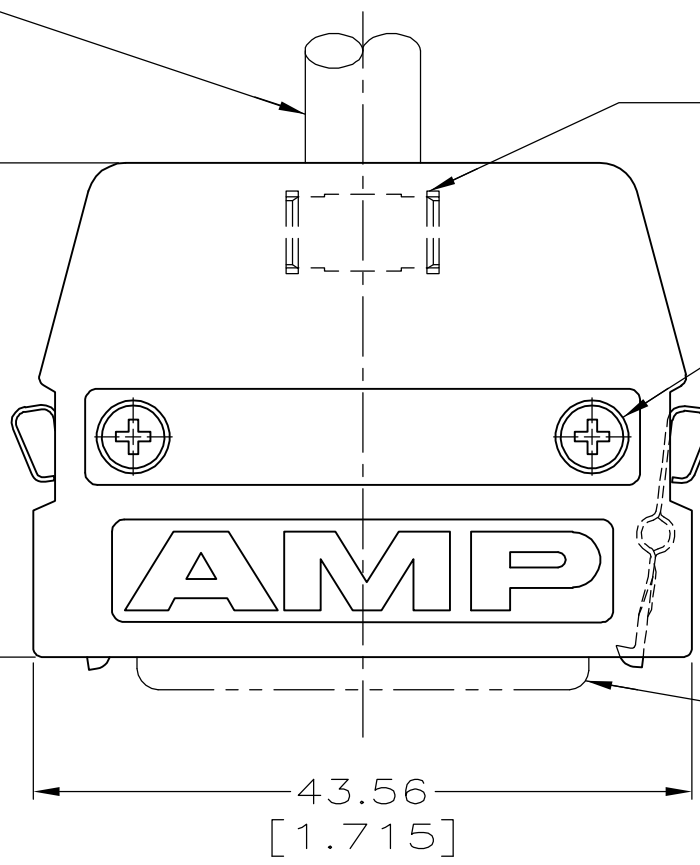


THIS DRAWING IS UNPUBLISHED. RELEASED FOR PUBLICATION
 © COPYRIGHT BY TYCO ELECTRONICS CORPORATION. ALL RIGHTS RESERVED.

LOC	DIST	REVISIONS					
GP	00	P	LTR	DESCRIPTION	DATE	DWN	APVD
		0		RELEASED PER EC OS13-0001-05	25AUG05	GP	JG

CABLE SUPPLIED BY CUSTOMER
 ①

32.77
 [1.290]



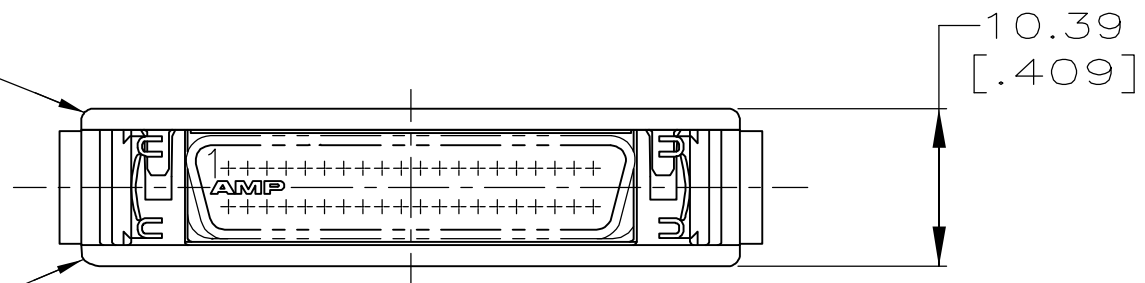
STRAIN RELIEF STAPLE (1 SUPPLIED)
 MATERIAL: STEEL
 FINISH: BRIGHT TIN OVER NICKEL

MACHINE SCREW (2 SUPPLIED)
 #2-56 UNC X 6.35 [.250]

SPRING LATCH (2 SUPPLIED)
 MATERIAL: STAINLESS STEEL

CONNECTOR (MUST BE PURCHASED SEPARATELY)

UPPER BACKSHELL (1 SUPPLIED)
 MATERIAL: ZINC PLATING: NICKEL OVER COPPER



LOWER BACKSHELL (1 SUPPLIED)
 MATERIAL: ZINC PLATING: NICKEL OVER COPPER

**COPYRIGHT 2005
 TYCO ELECTRONICS CORP
 ALL RIGHTS RESERVED**

5749192-1
 PART NO

- ① 8.13 [.320] MAX CABLE DIA.
- 2. PARTS PACKAGED AS A UNIT KIT.

THIS DRAWING IS A CONTROLLED DOCUMENT.		DWN G.PETERS 25AUG05	Tyco Electronics Corporation Harrisburg, PA 17105-3608			
DIMENSIONS: INCHES		CHK S.SHUEY 25AUG05				
TOLERANCES UNLESS OTHERWISE SPECIFIED:		APVD M.WALMSLEY 25AUG05	NAME			
0 PLC ± - 1 PLC ± - 2 PLC ± - 3 PLC ± 0.38[.105] 4 PLC ± - ANGLES ± -		PRODUCT SPEC -	KIT, UNASSEMBLED, 40 POSITION, STRAIGHT EXIT, UNKEYED, AMPLIMITE .050 Series			
MATERIAL -		APPLICATION SPEC -	SIZE	CAGE CODE	DRAWING NO	RESTRICTED TO
FINISH -		WEIGHT -	A3	00779	C=5749192	-
CUSTOMER DRAWING			SCALE 1:1	SHEET 1 OF 1	REV 0	

单击下面可查看定价，库存，交付和生命周期等信息

[>>TE Connectivity\(泰科\)](#)