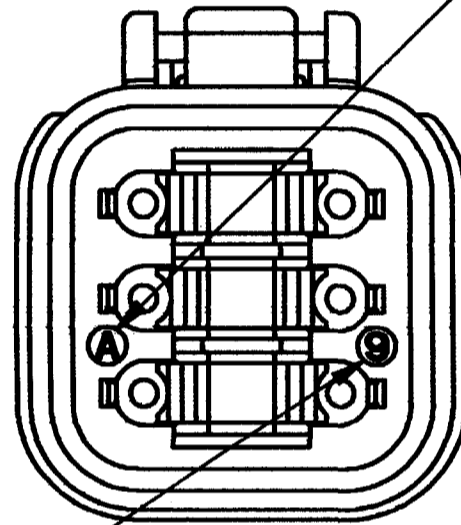
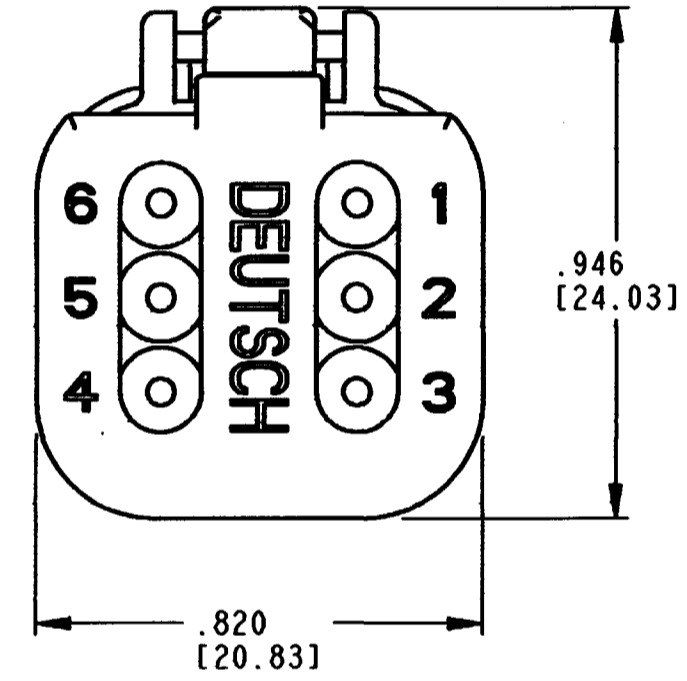
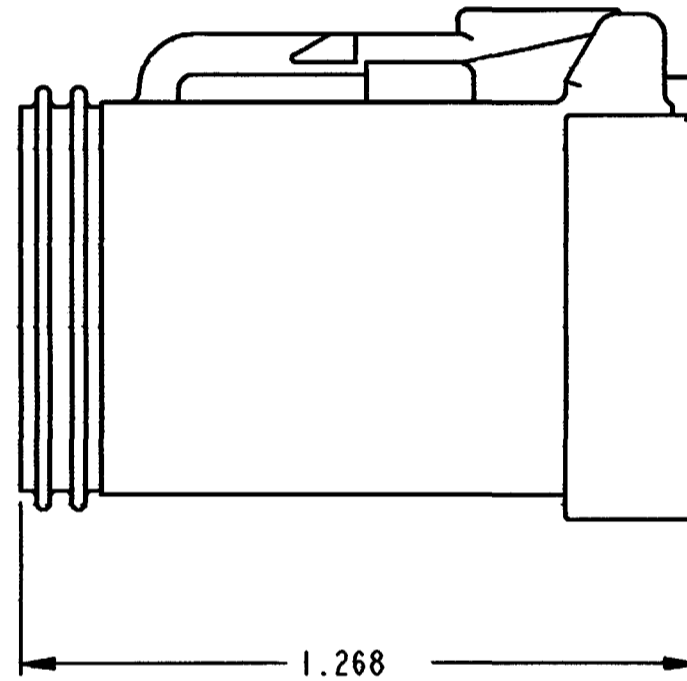


|          |                             |           |          |  |
|----------|-----------------------------|-----------|----------|--|
| REV<br>A | DT06-6S-E003                | REVISIONS |          |  |
| SYM      | DESCRIPTION                 | DATE      | APPROVED |  |
| NC       | NEW RELEASE PER E.O. A09342 | 9/6/90    | J.A.     |  |
| A        | REVISED PER E.O. P20222     | 5-21-09   | RDR      |  |
|          |                             |           |          |  |

MONTH IS REPRESENTED BY SEQUENTIAL ALPHA CHARACTERS.  
EX: A = JANUARY



YEAR IS REPRESENTED BY LAST NUMERICAL DIGIT.  
EX: 9 = 2009



5. MATERIAL - SHELL: PLASTIC; COLOR: GRAY  
SEAL: RUBBER.
4. THIS PLUG MATES WITH DT04-6P-\*\*\*\* RECEPTACLE. (\*\*\*\* = ALL MODIFICATIONS). CONSULT FACTORY FOR MODIFICATION.
3. FOR CONTACTS AND WIRE PERFORMANCE AND APPLICATION CHARACTERISTICS SEE ENVELOPE DRAWING 0425-015-0000 AND 0425-017-0000.
2. DIMENSIONS ARE ±.025[0.63] UNLESS OTHERWISE SPECIFIED.
1. DIMENSIONS ARE IN INCHES [MILLIMETERS].

NOTES:

| CONTACT SIZE | MIN. INSUL O.D. | MAX. INSUL O.D. | WIRE RANGE [mm <sup>2</sup> ] |
|--------------|-----------------|-----------------|-------------------------------|
| 16           | .088 [2.24]     | .145 [3.68]     | 14-20 AWG [2.0-0.5]           |

|                  |                            |                                      |   |                       |
|------------------|----------------------------|--------------------------------------|---|-----------------------|
| SIGNATURE & DATE |                            | 6 WAY PLUG<br>-E003 MOD<br>DT SERIES | EP                                      | MATL. CODE            |
| DR               | C. WOODRUFF 04SEP90        |                                      | 3850 INDUSTRIAL AVE.<br>HEMET, CA 92545 |                       |
| CHK              | <i>[Signature]</i> 5/21/09 |                                      | DEUTSCH INDUSTRIAL                      |                       |
| PE               | <i>[Signature]</i> 5/21/09 |                                      | B DT06-6S-E003                          |                       |
| APPD             | <i>[Signature]</i> 5-21-09 | ENVELOPE                             | DWG SIZE                                | CODE 11139 SHEET   OF |
| SCALE            | NONE WT                    |                                      |   |                       |

单击下面可查看定价，库存，交付和生命周期等信息

[>>TE Connectivity\(泰科\)](#)