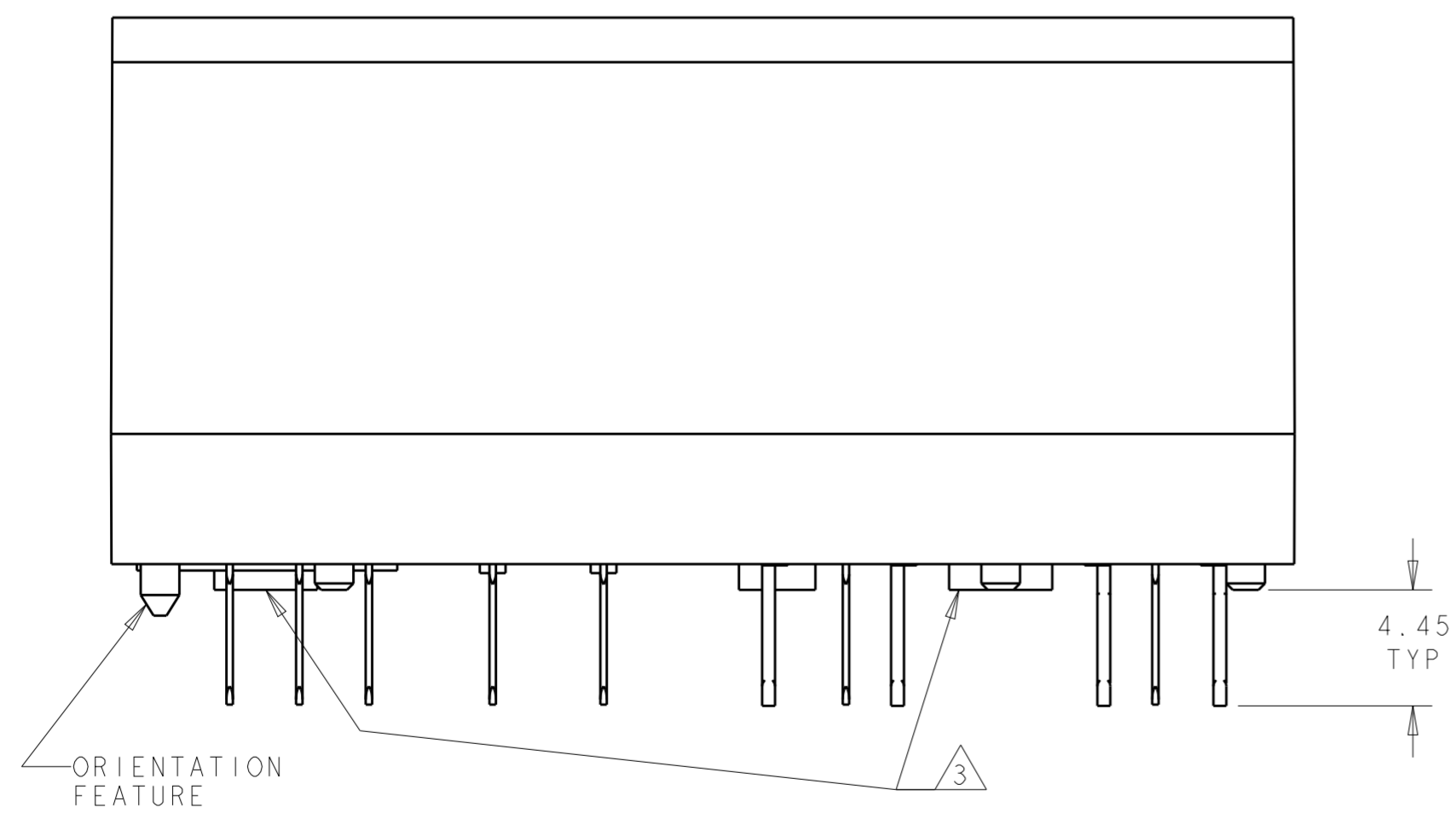
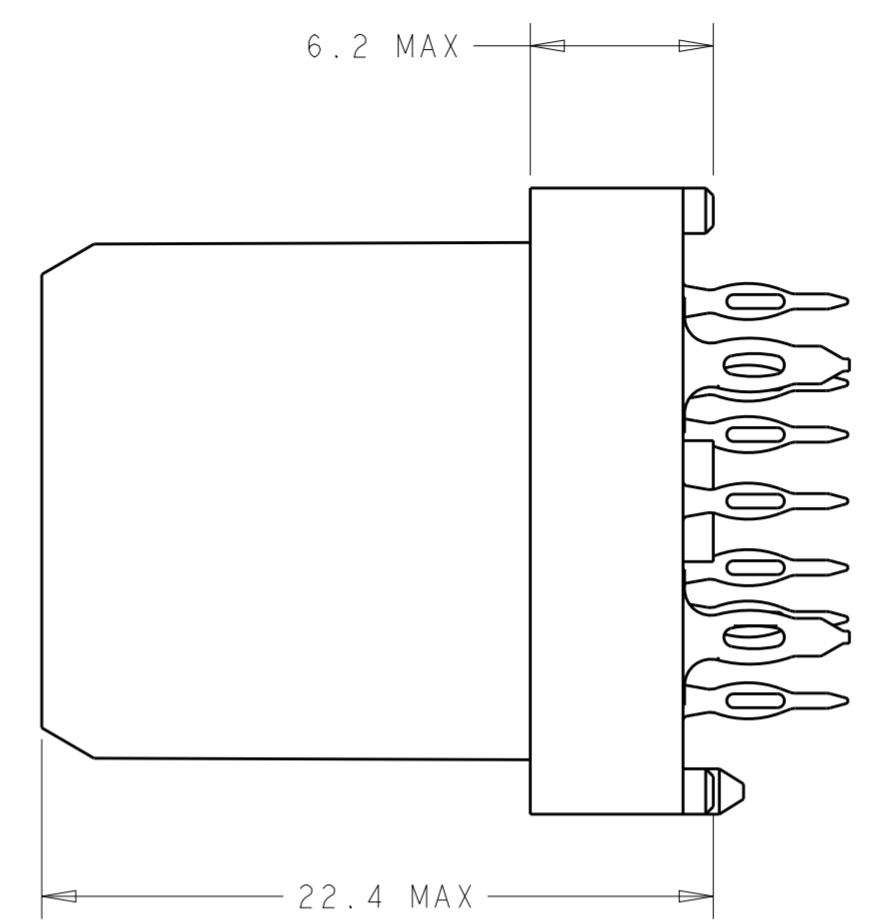
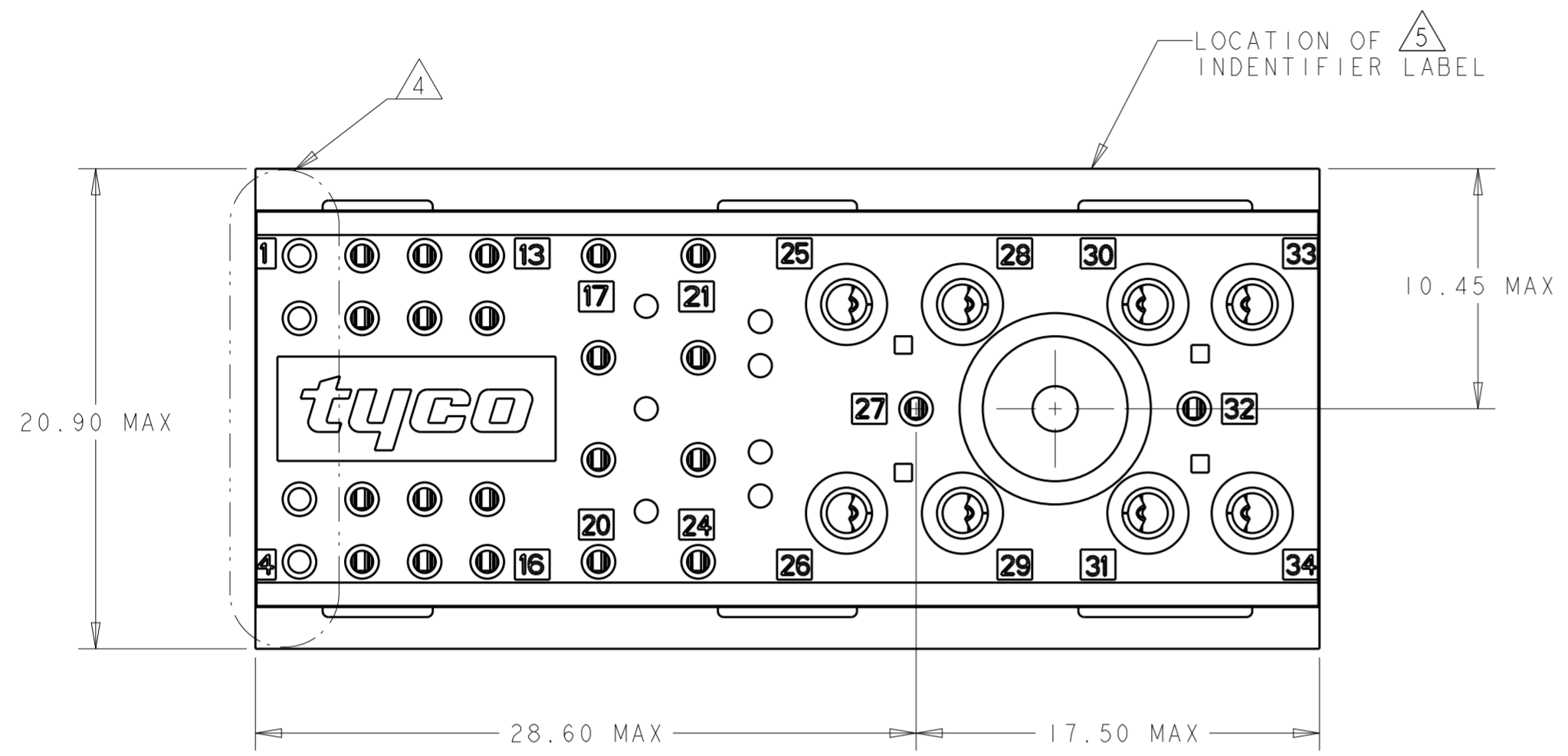


THIS DRAWING IS UNPUBLISHED. RELEASED FOR PUBLICATION 20  
 © COPYRIGHT 20 ALL RIGHTS RESERVED.

LOC		DIST		REVISIONS			
P	LTR	DESCRIPTION	DATE	DWN	APVD		
	D3	REVISED PER ECO-11-005033	05MAY2011	RK	HMR		
	E	REV PER ECR-12-016995	04NOV2012	OL	SZ		



OBSOLETE	△0 △3	1766501-6
OBSOLETE	△0 △9 △2	1766501-5
OBSOLETE	△1 △0 △2	1766501-4
OBSOLETE	△0 △9 △2	1766501-3
	△0 △2	1766501-2
	△0 △2	1766501-1
	FINISH	PART NO

THIS DRAWING IS A CONTROLLED DOCUMENT.

DWN L.SIPE 03JUN2005  
 CHK J.McCLELLAN 03JUN2005  
 APVD - 03JUN2005

STE TE Connectivity

NAME CONNECTOR ASSEMBLY, VERTICAL, BACKPLANE, COMPLIANT PRESS FIT, ADVANCED TCA

PRODUCT SPEC 108-2216  
 APPLICATION SPEC 114-13156  
 WEIGHT -

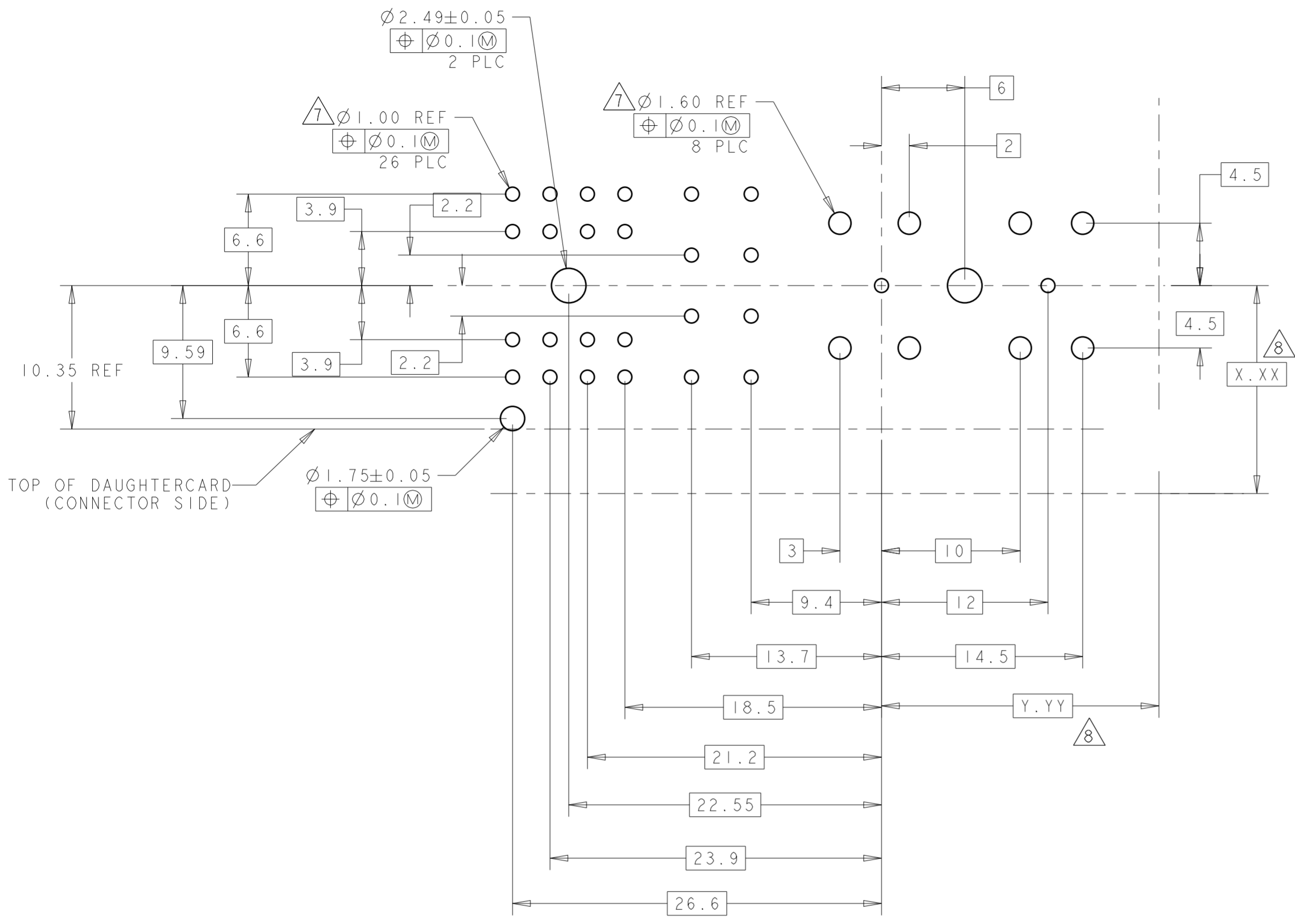
SIZE A2 CAGE CODE 0779 DRAWING NO C-1766501 RESTRICTED TO -

Customer Drawing SCALE 1:1 SHEET 1 OF 2 REV E

DIMENSIONS: mm  
 TOLERANCES UNLESS OTHERWISE SPECIFIED:  
 0 PLC ±  
 1 PLC ±  
 2 PLC ±0.50  
 3 PLC ±0.250  
 4 PLC ±  
 ANGLES ±  
 FINISH △1 △2 △9

THIS DRAWING IS UNPUBLISHED. RELEASED FOR PUBLICATION 20  
 © COPYRIGHT 20 ALL RIGHTS RESERVED.

LOC	DIST	REVISIONS					
GP	00	P	LTR	DESCRIPTION	DATE	DWN	APVD
		-		SEE SHEET 1			



PCB LAYOUT  
 VIEWED FROM CONNECTOR SIDE  
 SCALE 7:2

12 FINISHES:  
 CONTACTS MATING ZONE: GOLD PLATE, 1.27µm MIN THK  
 OVER NICKEL 1.27µm MIN THK.  
 SOLDER TAILS: TIN PLATED, 1.27µm MIN THK.  
 OVER NICKEL 1.27µm MIN THK.

13 FINISHES:  
 CONTACTS MATING ZONE: GOLD PLATE, 1.27µm MIN THK  
 OVER NICKEL 1.27µm MIN THK.  
 SOLDER TAILS: TIN-LEAD PLATED, 1.27µm MIN THK.  
 OVER NICKEL 1.27µm MIN THK.

1 MATERIALS:  
 INSULATORS: THERMOPLASTIC, GLASS  
 REINFORCED, COLOR-GRAY, UL94V-0  
 FLAMMABILITY RATED.  
 SIGNAL PINS: COPPER ALLOY.  
 POWER CONTACTS: HIGH CONDUCTIVITY  
 COPPER ALLOY.

2 FINISHES:  
 CONTACTS MATING ZONE: GOLD PLATE, 0.76µm MIN THK  
 OVER NICKEL 1.27µm MIN THK.  
 SOLDER TAILS: TIN PLATED, 1.27µm MIN THK.  
 OVER NICKEL 1.27µm MIN THK.

3 OPTIONAL MOUNTING SCREWS (Ø2.0mm x 5.0mm DP) FOR USE WITH SELF TAPPING  
 SCREWS (CUSTOMER SUPPLIED).

4 POSITIONS 1-4 NOT POPULATED AND RESERVED FOR FUTURE USE.

5 ITEMS PROVIDED TO THIS SPECIFICATION TO BE PERMANENTLY  
 IDENTIFIED PER THE FOLLOWING IDENTIFIER LABEL:  
 YEAR WEEK



6. GENERAL INFORMATION:

PART NO	SIZE NO	CONTACT QTY	MATING PIN DIA
1766501-1	16	8	Ø1.60
	22	22	Ø0.76

7 MANUFACTURING TOLERANCE FOR:  
 Ø1.60<sup>+0.09</sup><sub>-0.06</sub> FINISHED HOLE WITH Sn PLATING:  
 DRILLED HOLE = Ø1.75±0.025  
 COPPER PLATING = 0.025 MIN  
 Sn PLATING = 0.008 MIN  
 Ø1.00<sup>+0.09</sup><sub>-0.06</sub> FINISHED HOLE WITH Sn PLATING:  
 DRILLED HOLE = Ø1.15±0.025  
 COPPER PLATING = 0.025 MIN  
 Sn PLATING = 0.008 MIN

8 DATUMS AND BASIC DIMENSIONS TO BE ESTABLISHED BY CUSTOMER.

9 FINISHES:  
 CONTACTS MATING ZONE: GOLD PLATE, 0.76µm MIN THK  
 OVER NICKEL 1.27µm MIN THK.  
 SOLDER TAILS: TIN-LEAD PLATED, 1.27µm MIN THK.  
 OVER NICKEL 1.27µm MIN THK.

10 CONTACT AREA LUBRICATED WITH BELLCORE  
 APPROVED LUBRICANT. TECHNICAL REFERENCE:  
 GR-1217-COR, ISSUE1, NOVEMBER 1995

11 PRELIMINARY PART NUMBERS NOT RELEASED FOR PRODUCTION

THIS DRAWING IS A CONTROLLED DOCUMENT.		DWN L. SIPE 03JUN2005	TE Connectivity	
		CHK J. McCLELLAN 03JUN2005		
		APVD 03JUN2005		
DIMENSIONS: mm		PRODUCT SPEC 108-2216		NAME CONNECTOR ASSEMBLY, VERTICAL, BACKPLANE, COMPLIANT PRESS FIT, ADVANCED TCA
TOLERANCES UNLESS OTHERWISE SPECIFIED:		APPLICATION SPEC 114-13156		
0 PLC ±- 1 PLC ±- 2 PLC ±0.50 3 PLC ±0.250 4 PLC ±- ANGLES ±- FINISH ±-		WEIGHT -		SIZE A20779
MATERIAL -		Customer Drawing		CAGE CODE C-1766501
		SCALE 1:1		RESTRICTED TO -
		SHEET 2 OF 2		REV E

单击下面可查看定价，库存，交付和生命周期等信息

[>>TE Connectivity\(泰科\)](#)