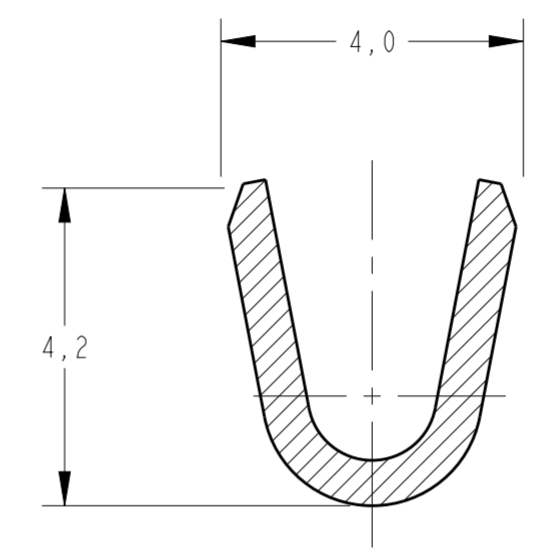
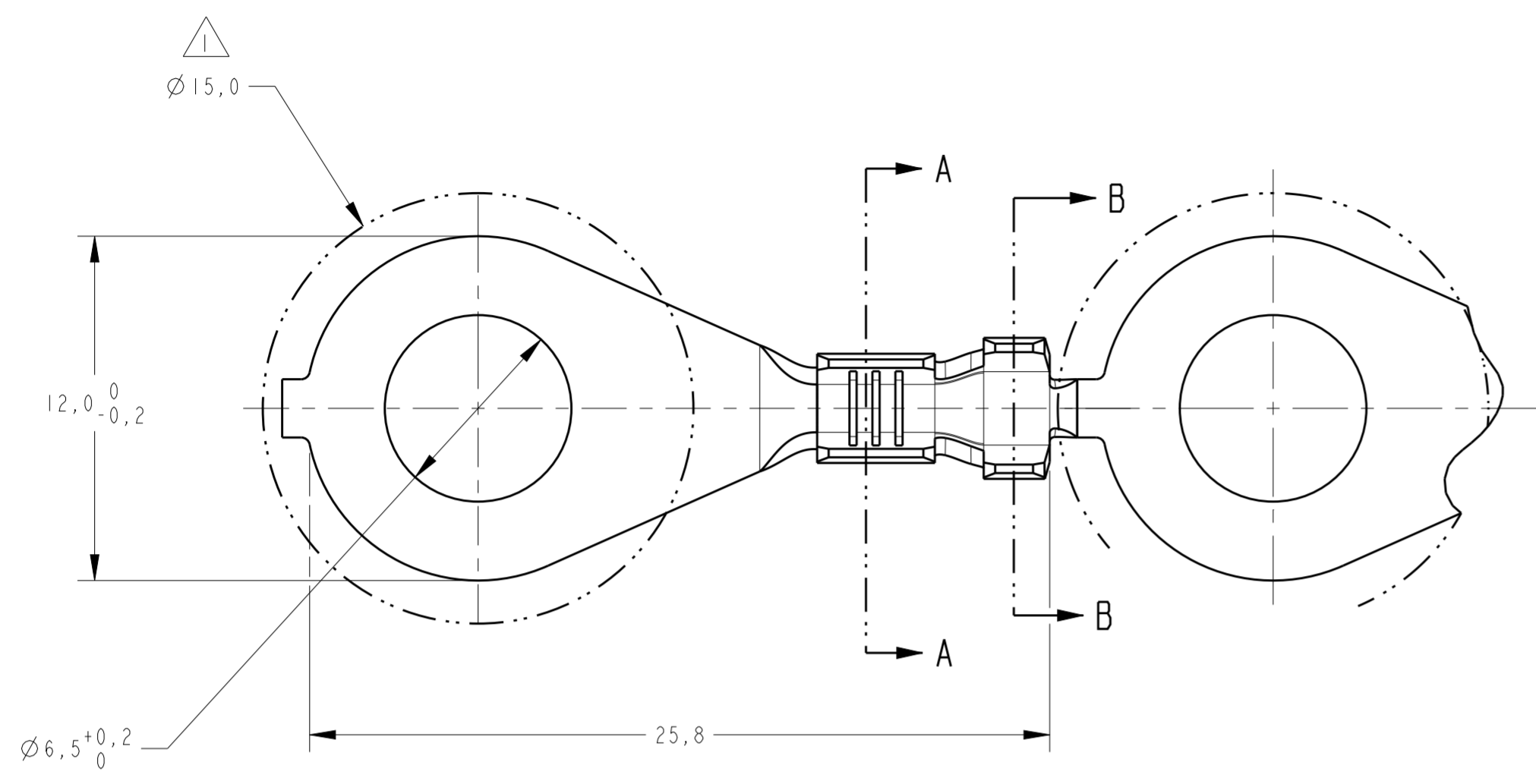


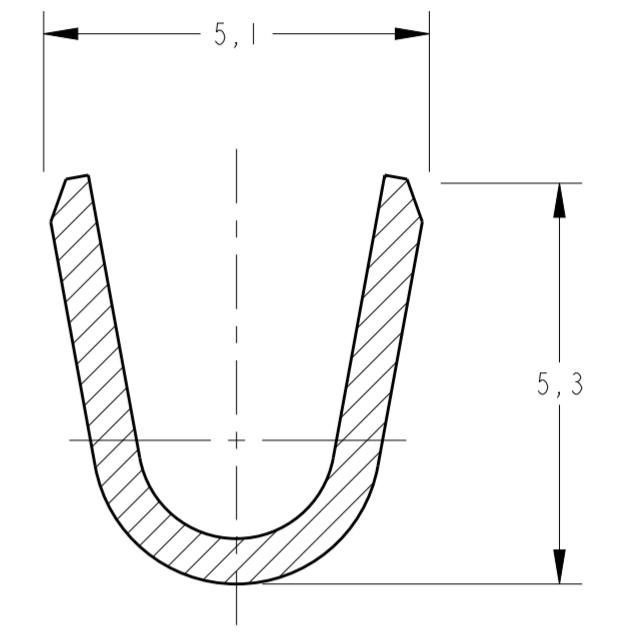
THIS DRAWING IS UNPUBLISHED. RELEASED FOR PUBLICATION 20
 © COPYRIGHT 20 BY - ALL RIGHTS RESERVED.

creo
 Creo Parametric 2.0
 DO NOT REVISE
 EXCEPT BY CAD

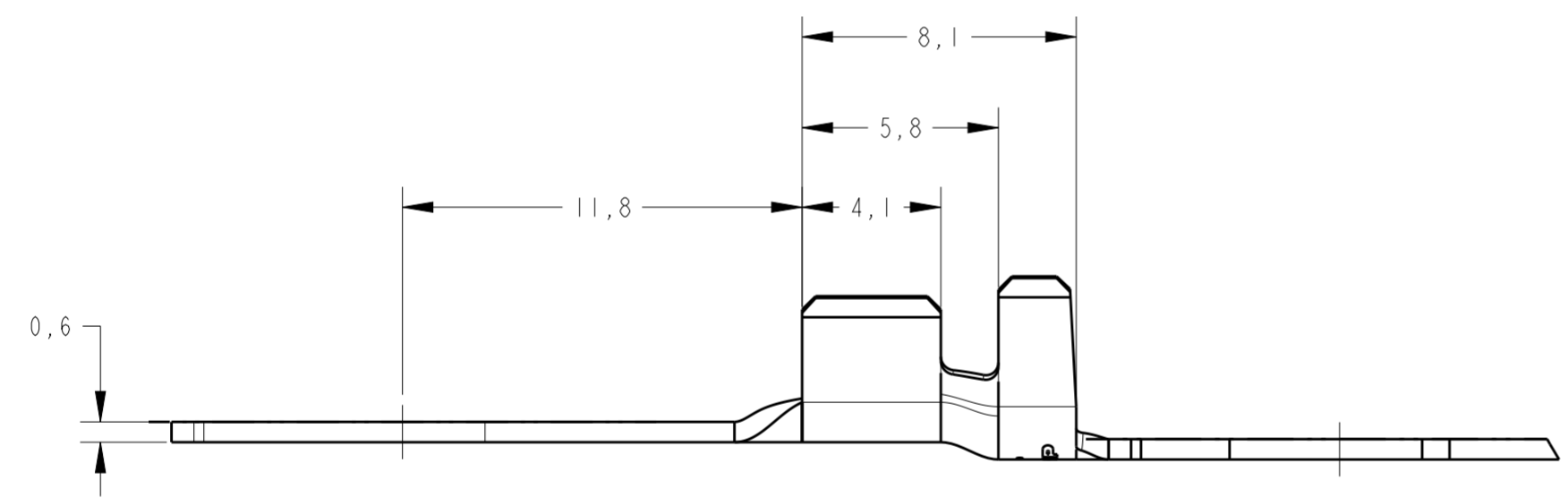
REVISIONS				
P	LTR	DESCRIPTION	DATE	APVD
	A3	REV. BY ECO 17-005556	28APR2017	HC WLS



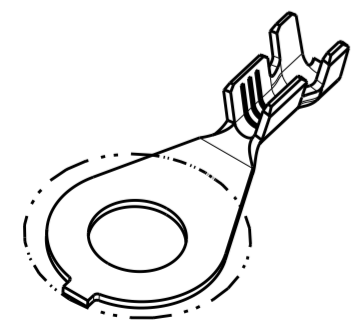
SECTION A-A
 SCALE 10:1



SECTION B-B
 SCALE 10:1



△ - REGIÃO LIVRE PARA FERRAMENTA
 - TOOL CLEARANCE AREA



PERSPECTIVE VIEW
 SCALE 2:1

WIRE RANGE	INS. RANGE	FINISH	MATERIAL	PART NUMBER
>1,0-2,5mm ²	∅ 2,1-2,9mm			
OBSOLETE		ELECTRO TIN SPEC.112-16-3 2,5µm	PHOSPHOR BRONZE SPEC.TE 100-221-H04	444155-4
OBSOLETE		PLAIN	PHOSPHOR BRONZE SPEC.TE 100-221-H04	444155-3
		ELECTRO TIN SPEC.112-16-3 2,5µm	LATÃO/BRASS SPEC.TE 100-1512	444155-2
OBSOLETE		PLAIN	LATÃO/BRASS SPEC.TE 100-1512	444155-1

THIS DRAWING IS A CONTROLLED DOCUMENT.		DWN NCLAPRESA 05NOV2014	TE Connectivity	
		CHK ECHRISTIANO 05NOV2014		
		APVD LWPRADO 05NOV2014	NAME - RING TONGUE	
DIMENSIONS: mm 		TOLERANCES UNLESS OTHERWISE SPECIFIED: mm ² 0 PLC ± 1 PLC ±0,3 2 PLC ± 3 PLC ± 4 PLC mm ± ANGLES ±1° FINISH	PRODUCT SPEC APPLICATION SPEC WEIGHT	SIZE A2 CAGE CODE - DRAWING NO C-444155 RESTRICTED TO -
MATERIAL -		Customer Drawing	SCALE 5:1	SHEET 1 OF 1 REV A3

单击下面可查看定价，库存，交付和生命周期等信息

[>>TE Connectivity\(泰科\)](#)