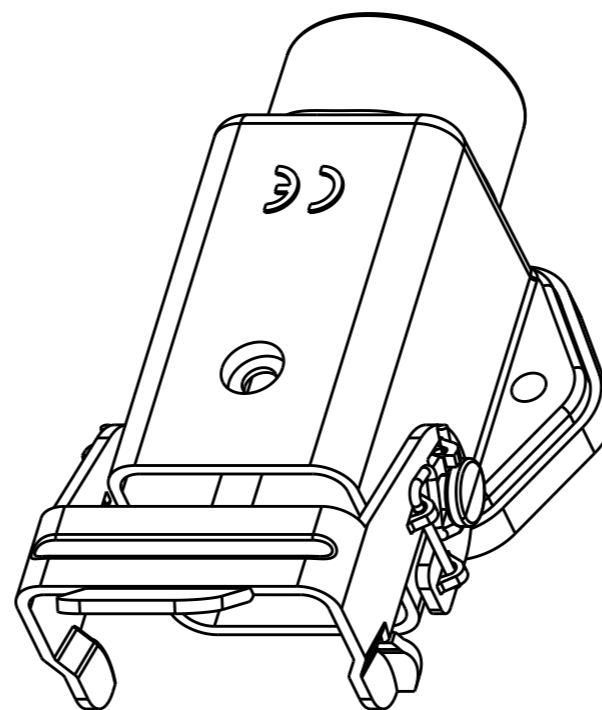
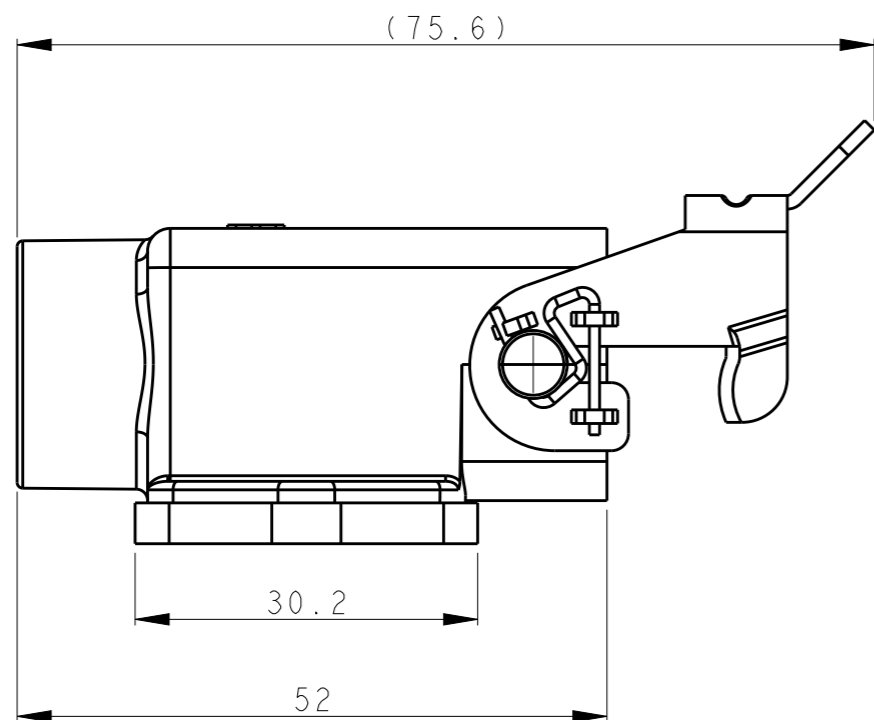
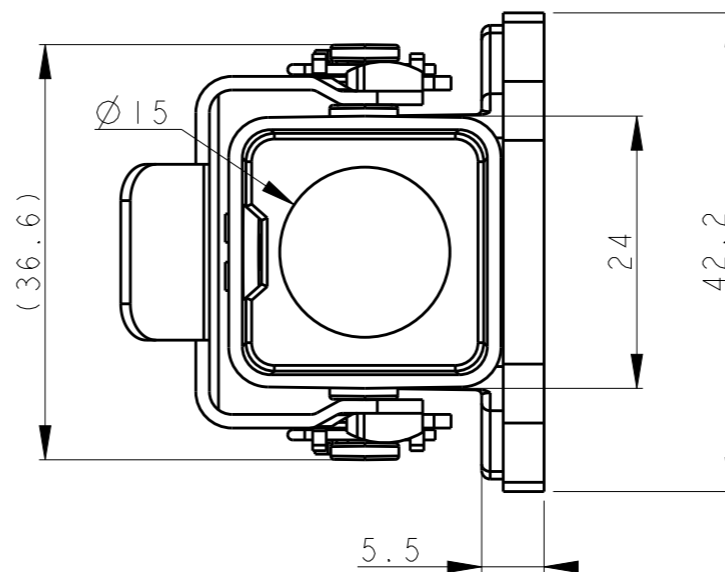
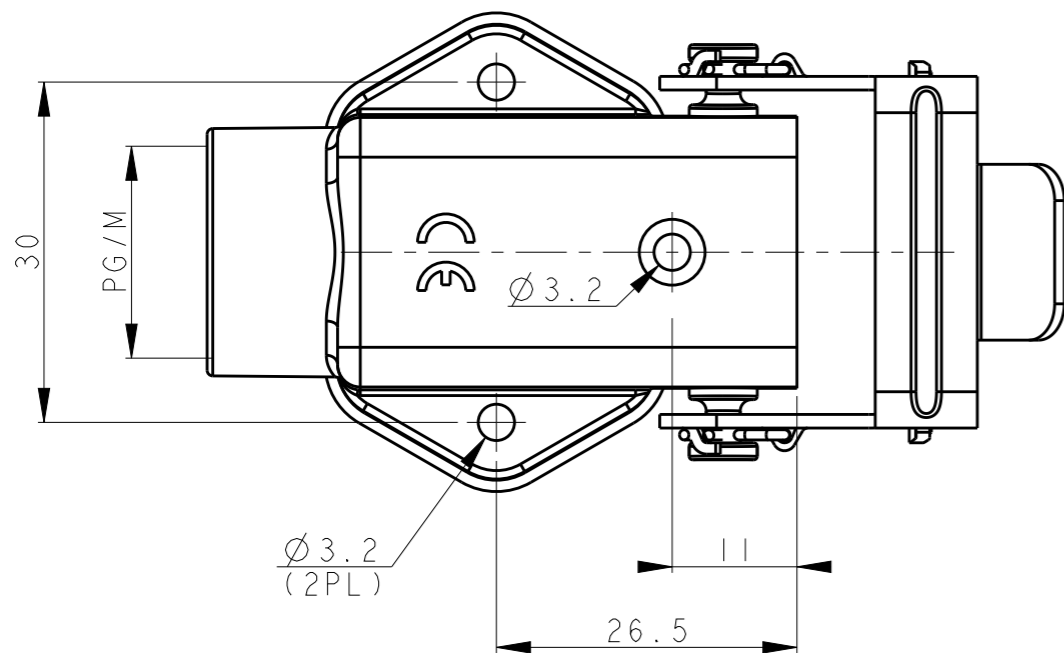


THIS DRAWING IS UNPUBLISHED. RELEASED FOR PUBLICATION 20
 © COPYRIGHT 20 BY - ALL RIGHTS RESERVED.

REVISIONS

P	LTR	DESCRIPTION	DATE	DWN	APVD
	A	INITIAL RELEASE	24APR2015	DL	CW
	B	ECR-20-007782	24NOV2020	BS	CW



NOTES:
 1. TECHNICAL CHARACTERISTICS:
 BODY MATERIAL: DIE CAST ZINC ALLOY
 SURFACE TREATMENT: POWDER-COATED, GRAY
 DEGREE OF PROTECTION: IP65 (MATED)

注释:
 1. 技术参数:
 主体材料: 锌合金
 表面处理: 粉末喷涂, 灰色
 防护等级: IP65(配合)

T1619030111-000	H3A-MAGSV-PG11	PG11
T1619030116-000	H3A-MAGSV-M16	M16
T1619030120-000	H3A-MAGSV-M20	M20
ASSEMBLY PART NUMBER	ASSEMBLY PART DESCRIPTION	PG/M

THIS DRAWING IS A CONTROLLED DOCUMENT.		DWN 24APR2015 DAVID LI				
DIMENSIONS: mm		CHK 24APR2015 CHRIS WANG				
TOLERANCES UNLESS OTHERWISE SPECIFIED:		APVD 24APR2015 XU XIANG	NAME H3A-MAGSV-PG/M			
0 PLC ±-		PRODUCT SPEC 108-137012	SIZE CAGE CODE DRAWING NO RESTRICTED TO			
1 PLC ±-		APPLICATION SPEC 114-137012	A3	-	©-T16190301XX000	-
2 PLC ±-		WEIGHT	SCALE 3:2 SHEET 1 OF 1 REV B			
3 PLC ±-		CUSTOMER DRAWING				
4 PLC ±-						
ANGLES ±-						
FINISH						
MATERIAL						

单击下面可查看定价，库存，交付和生命周期等信息

[>>TE Connectivity\(泰科\)](#)