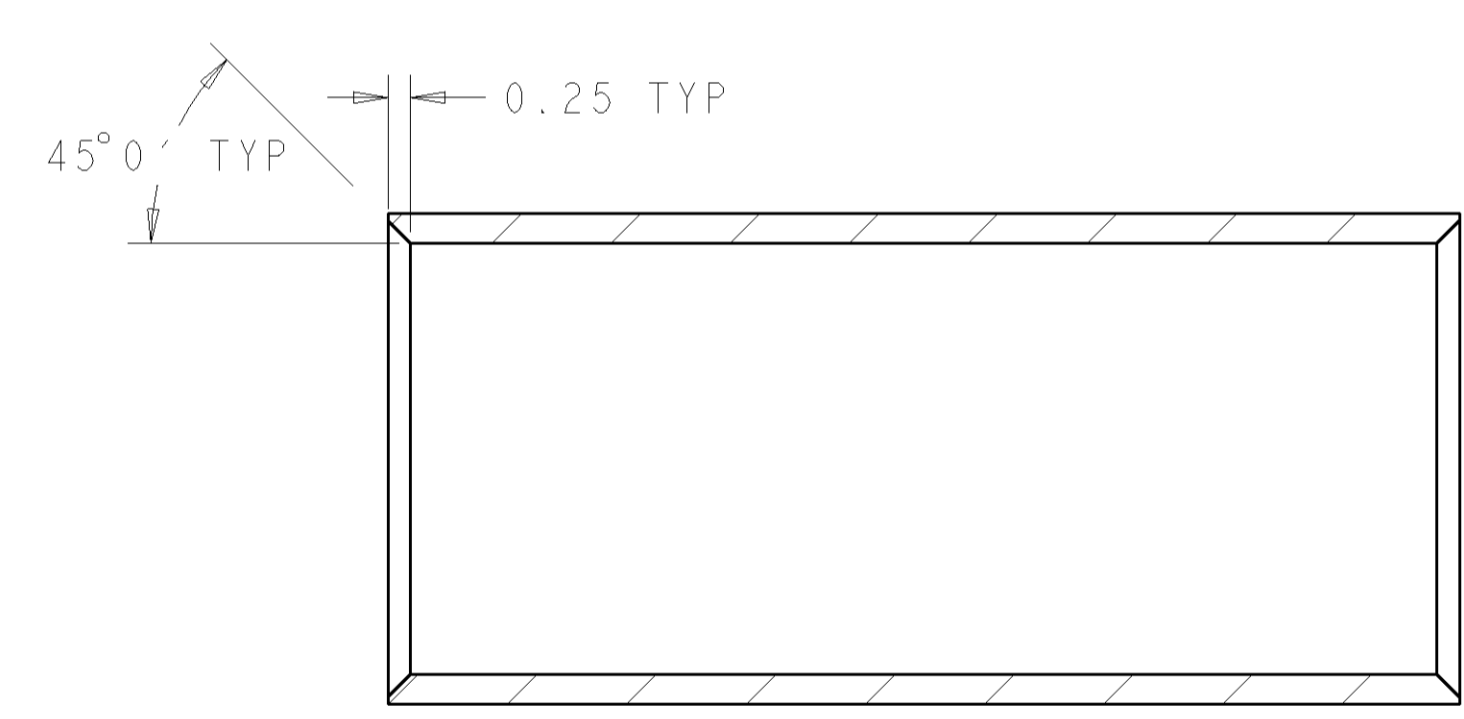
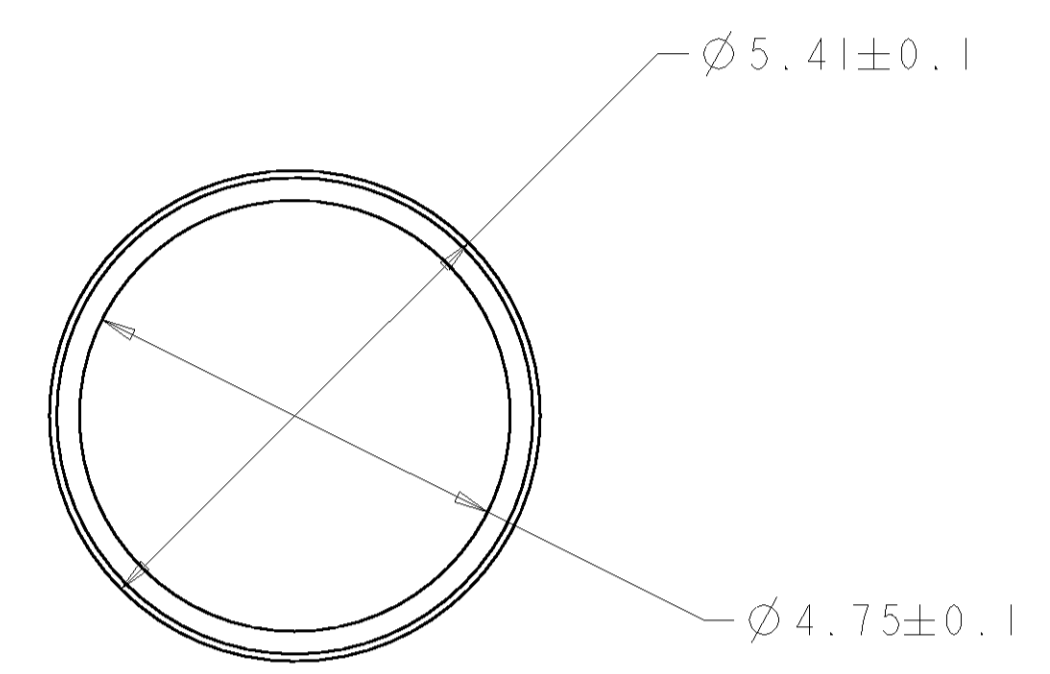
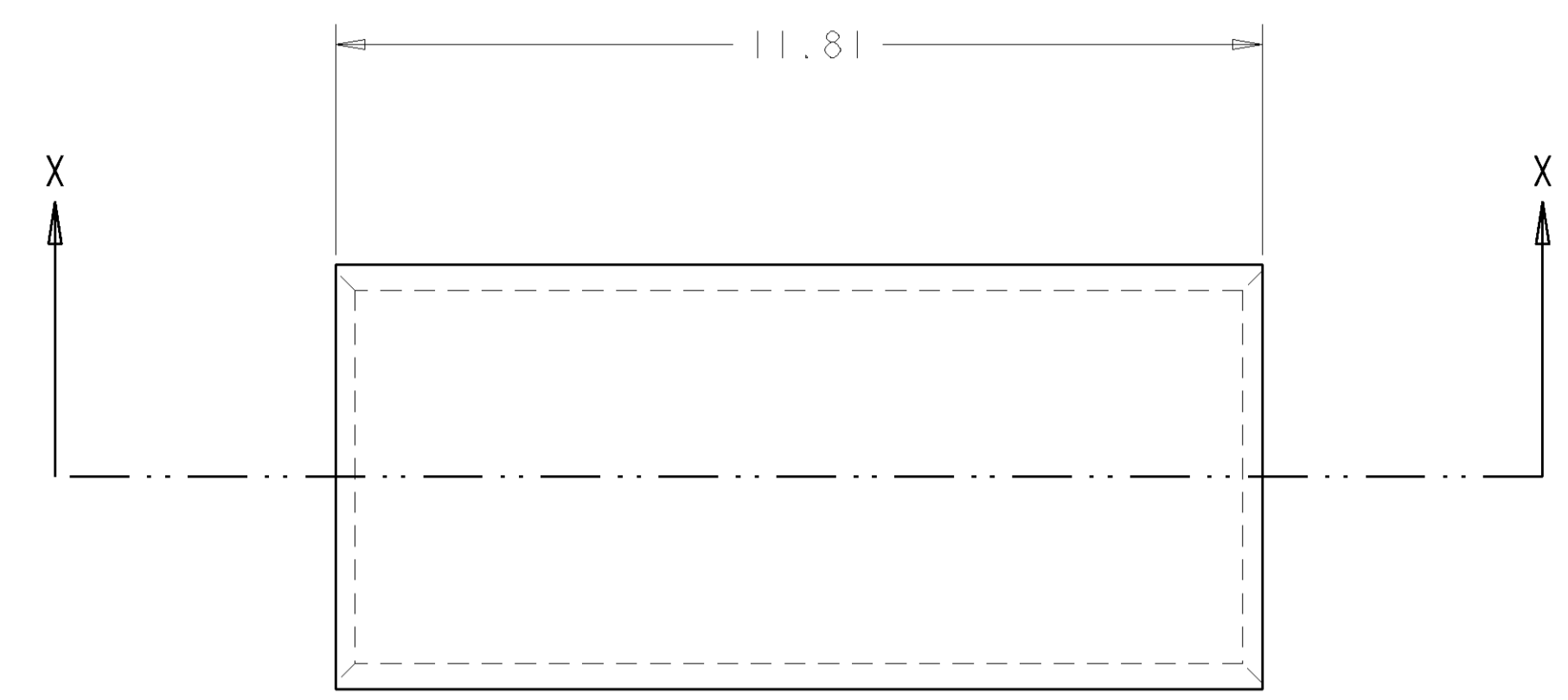
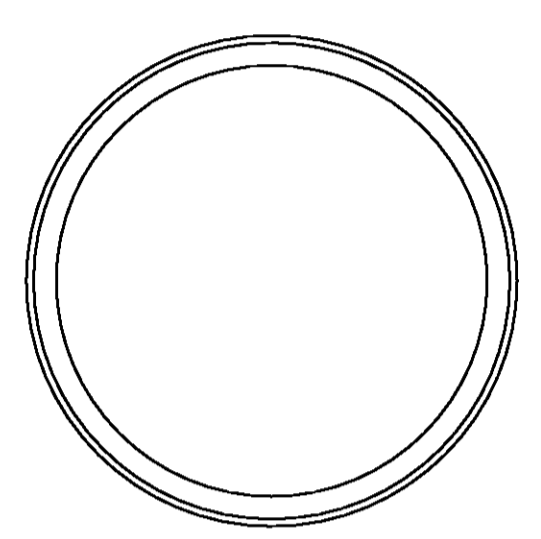


LOC		DIST		REVISIONS			
P	LTR	DESCRIPTION	DATE	DWN	APVD		
0		RELEASED	10-JUL-02	KW	JE		



SECTION X-X

1. MATERIAL: COPPER
2. PLATING: SILVER

1445762-1
PART NUMBER

<small>THE DIMENSIONS IN THIS DRAWING ARE UNLESS OTHERWISE SPECIFIED TO THE DIMENSIONS OF THE PARTS MANUFACTURED BY TYCO ELECTRONICS CORPORATION. THIS DRAWING IS UNPUBLISHED. RELEASED FOR PUBLICATION BY TYCO ELECTRONICS CORPORATION. ALL RIGHTS RESERVED.</small>		DWN SHANE WIEST 14AUG01 CHK K. KETELSLEGER 14AUG01 APVD K. KETELSLEGER 14AUG01	tyco Electronics Tyco Electronics Harrisburg, PA 17105-3608
DIMENSIONS: mm 	TOLERANCES UNLESS OTHERWISE SPECIFIED: 0 PLC ± 1 PLC ± 2 PLC ±0.13 3 PLC ± 4 PLC ± ANGLES ± FINISH ±	PRODUCT SPEC APPLICATION SPEC WEIGHT CUSTOMER DRAWING	NAME REDUCING BUSHING 6 TO 8 AWG SIZE CAGE CODE DRAWING NO A 00779 C-1445762 RESTRICTED TO SCALE 12:1 SHEET 1 OF 1 REV 0

单击下面可查看定价，库存，交付和生命周期等信息

[>>TE Connectivity\(泰科\)](#)