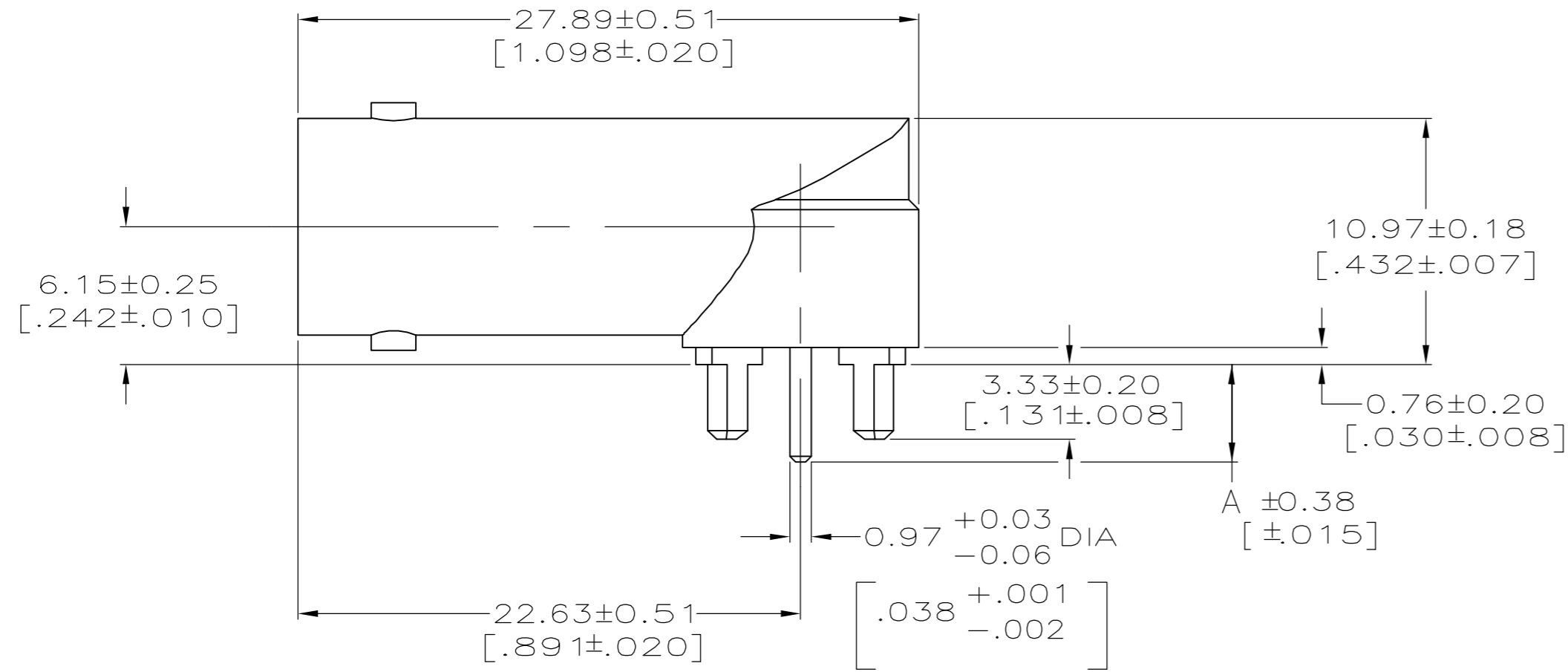
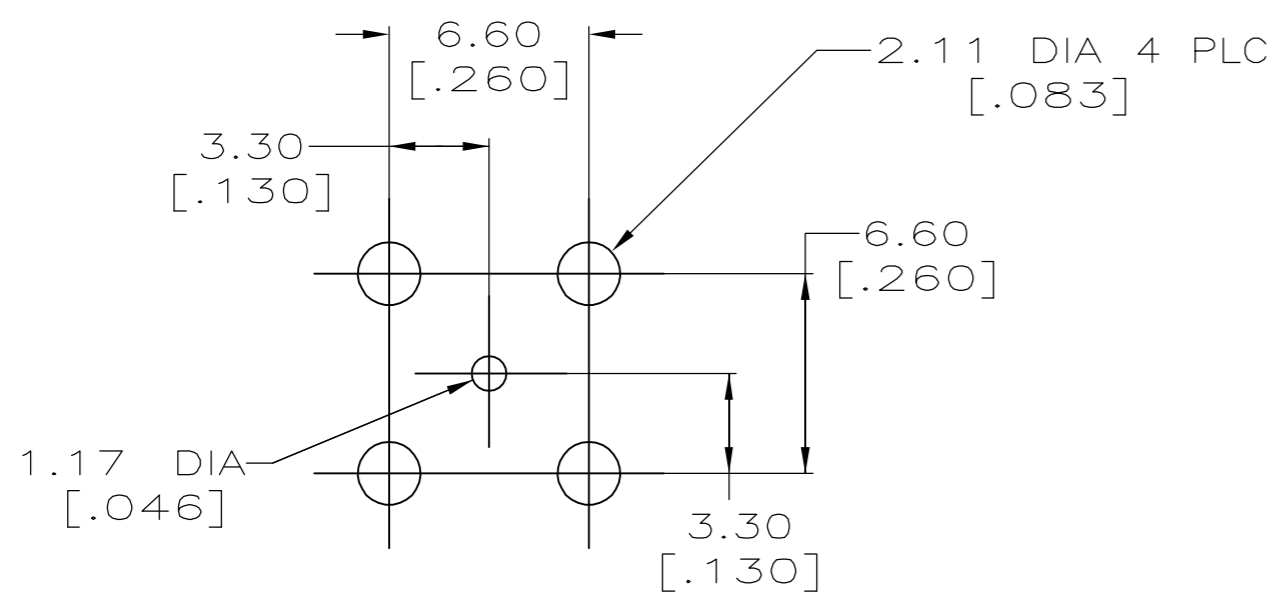
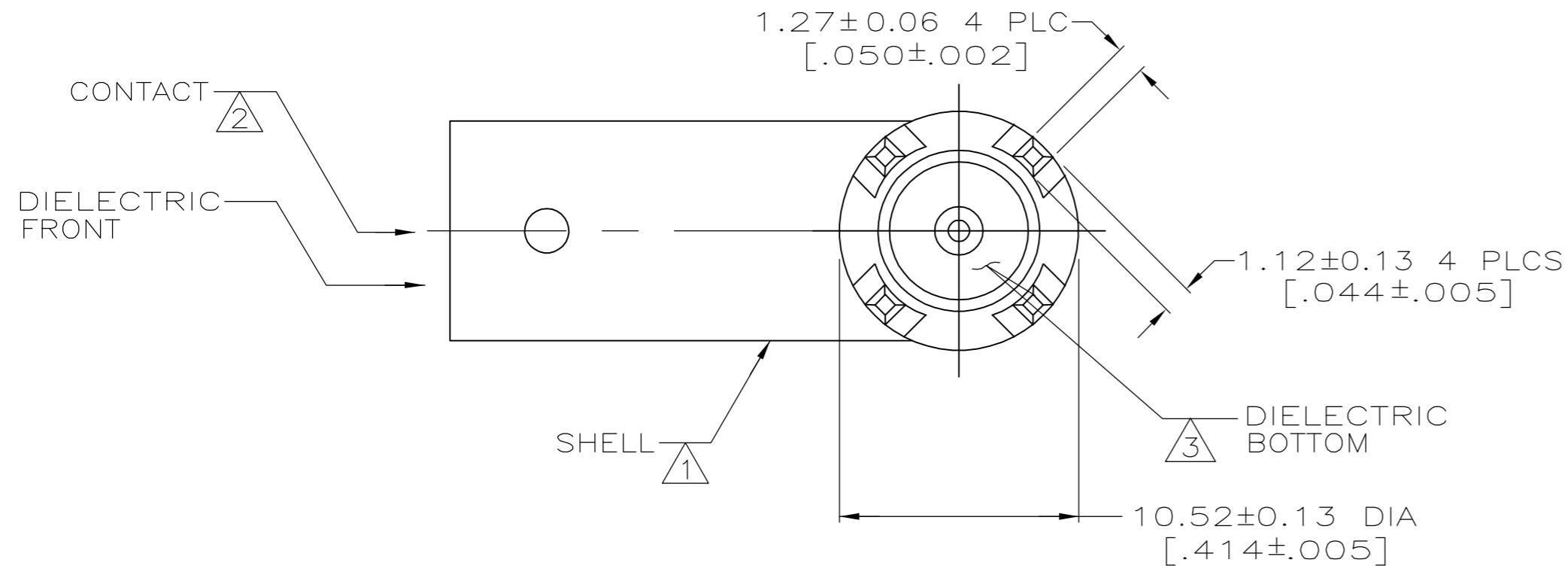


THIS DRAWING IS UNPUBLISHED. RELEASED FOR PUBLICATION
 © COPYRIGHT BY TYCO ELECTRONICS CORPORATION. ALL RIGHTS RESERVED.

LOC	DIST	REVISIONS			
P	LTR	DESCRIPTION	DATE	DWN	APVD
AJ	00	T	REVISED PER ECO 06-024121	1/29/2007	DW JL



- ① ZINC PER QQ-Z-363.
- ② BERYLLIUM COPPER PER QQ-C-530.
- ③ PTFE PER MIL-P-19468.
- ④ NICKEL PLATE PER QQ-N-290, 3.81 μm [.000150] MINIMUM THICK.
- ⑤ TIN-LEAD PLATE PER ASTM-B-545, 3.04 μm [.000120] MINIMUM THICK OVER NICKEL PLATE PER MIL-C-26074, 7.62 μm [.000300] MINIMUM THICK.
- ⑥ GOLD PLATE PER MIL-G-45204, 1.27 μm [.000050] MINIMUM THICK.
- ⑦ INTERFACE PER MIL-C-39012.
- ⑧ GOLD PLATE PER MIL-G-45204, 0.76 μm [.000030] MINIMUM THICK.
- ⑨ POLYMETHYLPENTENE: GENERAL PURPOSE



PCB CONFIGURATION

OBSOLETE	⑨	4.34 [.171]	⑧	④	413558-5
	⑨	4.34 [.171]	⑧	⑤	413558-4
	⑨	3.33 [.131]	⑥	④	413558-3
	③	4.34 [.171]	⑥	⑤	413558-2
	⑨	4.34 [.171]	⑥	④	413558-1
FRONT DIELECTRIC MATERIAL	A		CONTACT FINISH	SHELL FINISH	PART NUMBER

THIS DRAWING IS A CONTROLLED DOCUMENT.		DWN J. LIPPERT 7-1-91	Tyco Electronics Corporation Harrisburg, PA 17105-3608	
DIMENSIONS: INCHES		CHK A. GABANY 8-5-91		
TOLERANCES UNLESS OTHERWISE SPECIFIED:		APVD A. GABANY 8-5-91	NAME JACK, RIGHT ANGLE, PCB, 75 OHM, SERIES BNC	
0 PLC ± -		PRODUCT SPEC 108-12078	SIZE A2	
1 PLC ± -		APPLICATION SPEC	CAGE CODE 00779	DRAWING NO C=413558
2 PLC ± 0.08 [.003]		WEIGHT -	RESTRICTED TO -	SCALE 4:1
3 PLC ± -		CUSTOMER DRAWING	SHEET 1 of 1	REV T
4 PLC ± -				
ANGLES ± -				
FINISH SEE NOTES 4-6				

单击下面可查看定价，库存，交付和生命周期等信息

[>>TE Connectivity\(泰科\)](#)