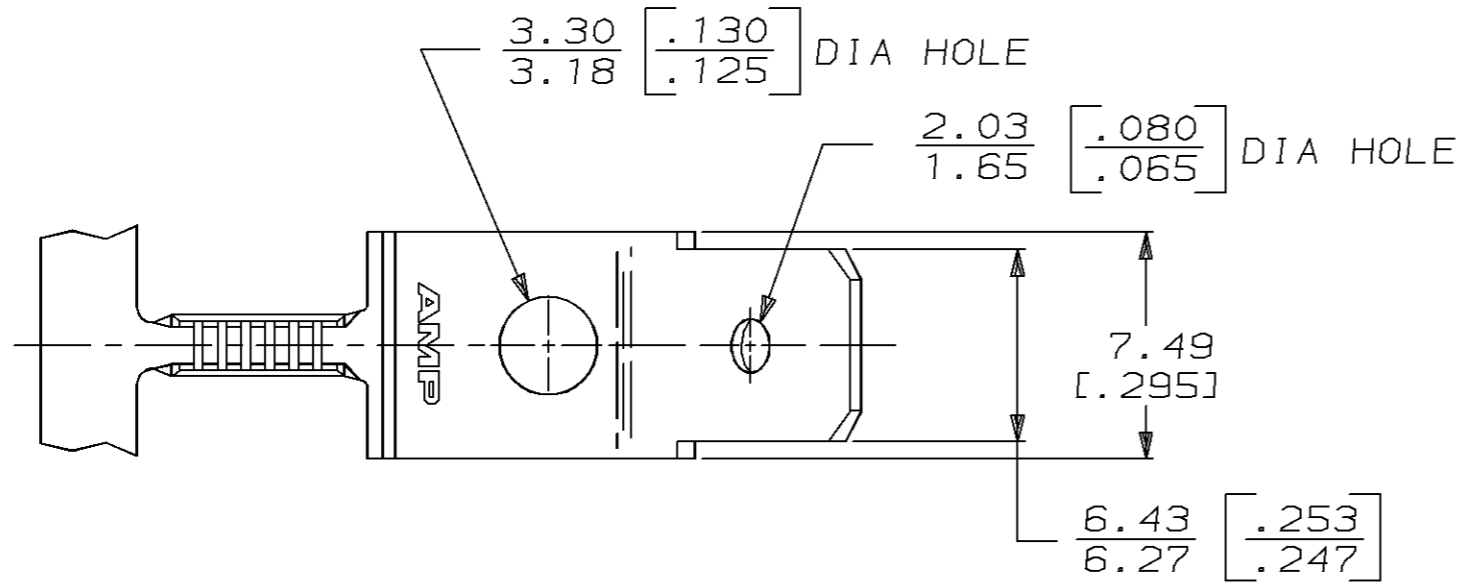
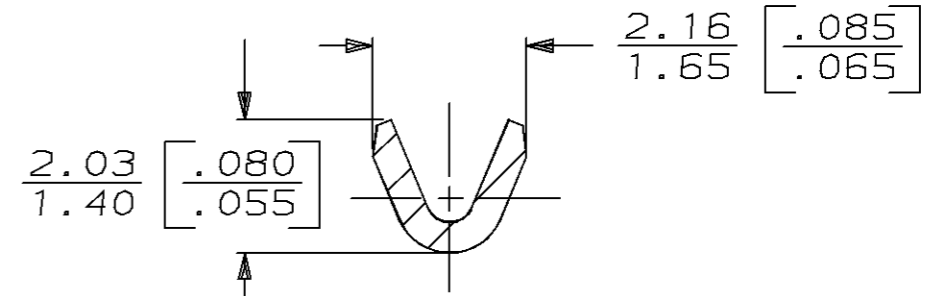
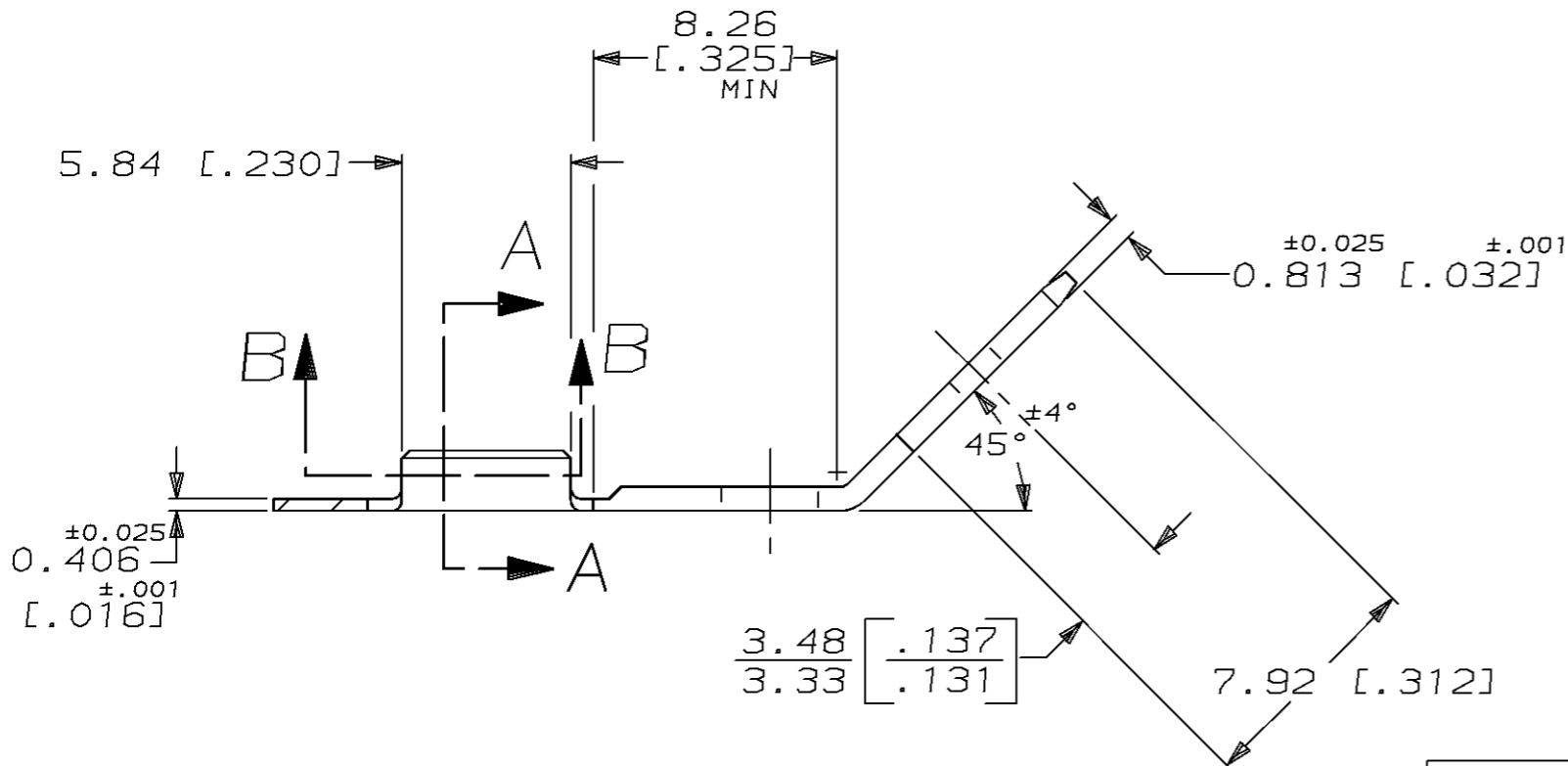


THIS DRAWING IS UNPUBLISHED. RELEASED FOR PUBLICATION, 19 .
 © COPYRIGHT 19 BY AMP INCORPORATED. ALL INTERNATIONAL RIGHTS RESERVED.

LOC	DIST	P	F	REVISIONS				
AF	50			ZONE	LTR	DESCRIPTION	DATE	APPD
					0	DRAWN	8/16/95	JR/PD



- CONTINUOUS STRIP ON REELS.
- TAB DIMENSIONS ARE IN ACCORDANCE WITH NEMA DC-2 STD.



SECTION A-A
SCALE 10:1

200-566 CMA	63611-1
WIRE RANGE	PART NO
AMP AMP Incorporated Harrisburg, PA 17105-3608	
NAME TAB, FASTON™ AMPLIVAR, 6.35 [.250] SERIES	
SIZE B	CAGE CODE 00779
SCALE 4:1	DRAWING NO 63611
	SHEET 1 OF 1

DO NOT SCALE PRINT. UNLESS SPECIFIED DIMENSIONS IN mm [INCHES] TOLERANCES ON: 2 PLC DEC ± 0.25 [.010] 3 PLC DEC ± - ANGLES ± -	DR 8/16/95 JR RUTH
	CHK 8/16/95 MS FEHER
	APPD 8/16/95 P DESANTIS
MATERIAL PREMILLED #2H BRASS	APPD 8/16/95 D REINER
FINISH TIN 0.002032 [.000080] MIN WITH VARNISH RESIST	PRODUCT SPEC -
	APPLICATION SPEC -
	WEIGHT -

单击下面可查看定价，库存，交付和生命周期等信息

[>>TE Connectivity\(泰科\)](#)