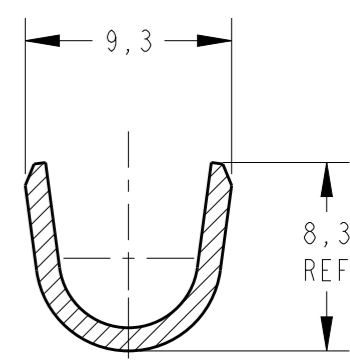
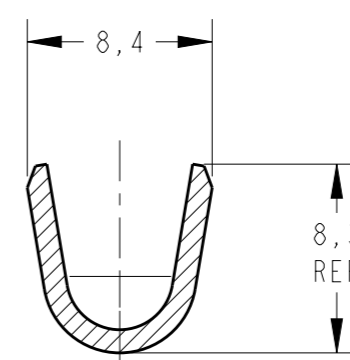
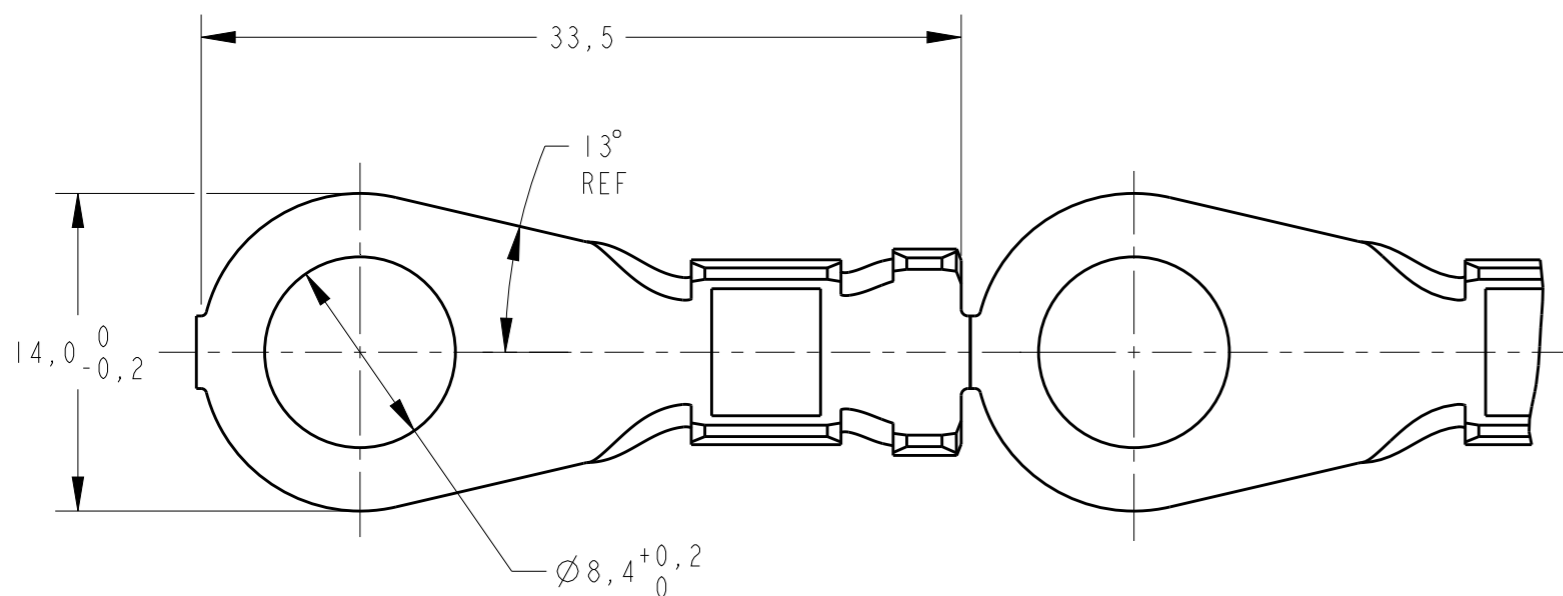


creo  
Creo Parametric 2.0  
**DO NOT REVISE  
EXCEPT BY CAD**

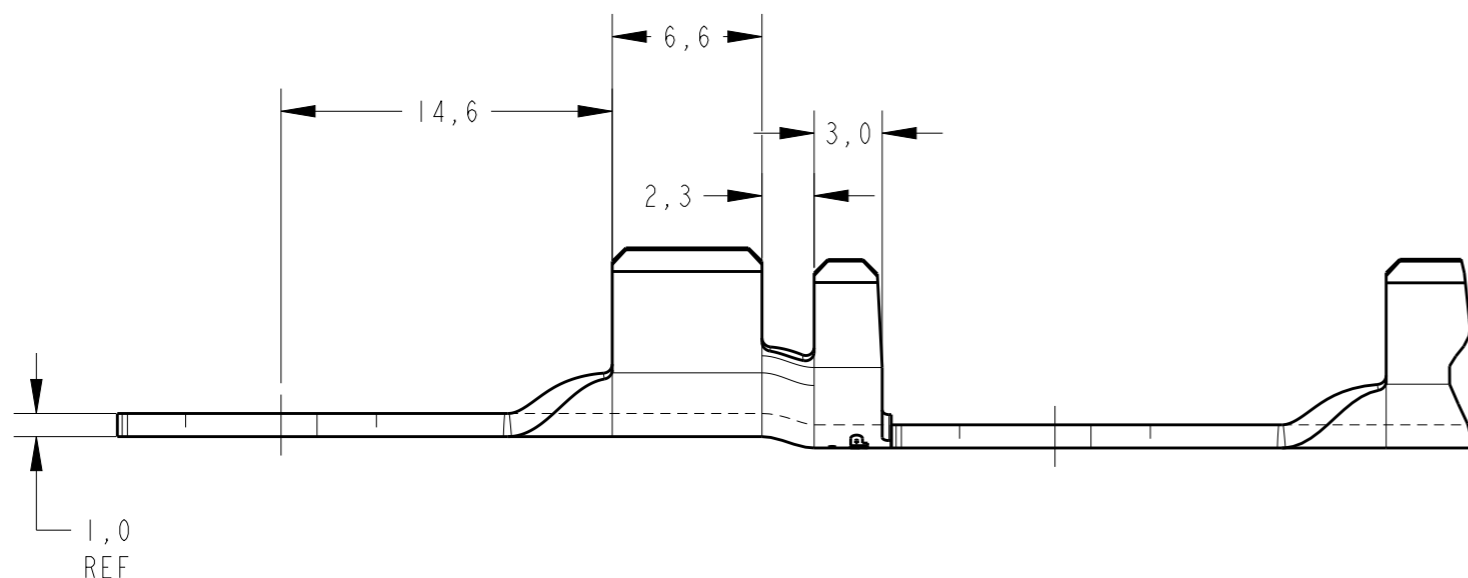
REVISIONS

P	LTR	DESCRIPTION	DATE	DWN	APVD
	A	REDRAW BY CAD ECO-14-013530	08SEP2014	NCL	LWP
	AI	REV.BY ECO 16-006124	10JUN2016	HC	WLS



SECTION A-A  
SCALE 3:1

SECTION B-B  
SCALE 3:1



OBSOLETE	ESTANHADO / TINNER	BRONZE FOSFOROSO	881001-4
	—	BRONZE FOSFOROSO	881001-3
	ESTANHADO / TINNER	LATÃO / BRASS	881001-2
OBSOLETE		LATÃO / BRASS	881001-1
		FINISH	MATERIAL
			PART NO

Ø 4,6-6,6mm.	6,0-10,0mm2
INSUL RANGE	WIRE RANGE

THIS DRAWING IS A CONTROLLED DOCUMENT.

DIMENSIONS:	TOLERANCES UNLESS OTHERWISE SPECIFIED:
mm	
0 PLC	±-
1 PLC	±0,5
2 PLC	±-
3 PLC	±-
4 PLC	±-
ANGLES	±°

MATERIAL	FINISH
SEE TABLE	SEE TABLE

DWN	08SEP2014
NCLAPRESA	
CHK	08SEP2014
FCHRISTIANO	
APVD	08SEP2014
IWPRADO	
PRODUCT SPEC	-
APPLICATION SPEC	-
WEIGHT	-

<b>STE</b> TE Connectivity			
NAME - RING TONGUE -			
SIZE	CAGE CODE	DRAWING NO	RESTRICTED TO
A3	00779	C-881001	-

Customer Drawing	SCALE 3:1	SHEET 1 OF 1	REV AI
------------------	-----------	--------------	--------



PERSPECTIVE VIEW  
SCALE 1:1

单击下面可查看定价，库存，交付和生命周期等信息

[>>TE Connectivity\(泰科\)](#)