





THIS DRAWING IS UNPUBLISHED. RELEASED FOR PUBLICATION 2000
 © COPYRIGHT 2000 BY ALL RIGHTS RESERVED.

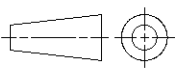
| LOC | DIST | REVISIONS | | | |
|-----|------|---------------------------|---------|-----|------|
| P | LTR | DESCRIPTION | DATE | DWN | APVD |
| | B3 | REVISED PER ECO-11-005027 | 06APR11 | RK | HMR |

CROSS REFERENCE LIST / UEBERSETZUNGSLISTE

| TE CONNECTIVITY PART NO. | OLD PART NUMBER | SEE SHEET | TE CONNECTIVITY PART NO. | OLD PART NUMBER | SEE SHEET |
|--|-------------------|-----------|--|-------------------|-----------|
| 1 393 546 - 1 | C42315-A1347-A101 | 2 |  1 - 1 393 546 - 1 | C42315-A1347-A112 | 2 |
| 1 393 546 - 2 | C42315-A1347-A102 | 2 |  1 - 1 393 546 - 2 | C42315-A1347-A116 | 2 |
| 1 393 546 - 3 | C42315-A1347-A103 | 2 | 1 - 1 393 546 - 3 | C42315-A1347-A124 | 2 |
| 1 393 546 - 4 | C42315-A1347-A104 | 2 | 1 - 1 393 546 - 4 | C42315-A1347-A201 | 3 |
| 1 393 546 - 5 | C42315-A1347-A105 | 2 | 1 - 1 393 546 - 5 | C42315-A1347-A202 | 3 |
|  1 393 546 - 6 | C42315-A1347-A106 | 2 | 1 - 1 393 546 - 6 | C42315-A1347-A203 | 3 |
| 1 393 546 - 7 | C42315-A1347-A107 | 2 | 1 - 1 393 546 - 7 | C42315-A1347-A204 | 3 |
| 1 393 546 - 8 | C42315-A1347-A108 | 2 |  1 - 1 393 546 - 8 | C42315-A1347-A205 | 3 |
| 1 393 546 - 9 | C42315-A1347-A109 | 2 | 1 - 1 393 546 - 9 | C42315-A1347-A208 | 3 |
| 1 - 1 393 546 - 0 | C42315-A1347-A110 | 2 | 2 - 1 393 546 - 0 | C42315-A1347-A212 | 3 |

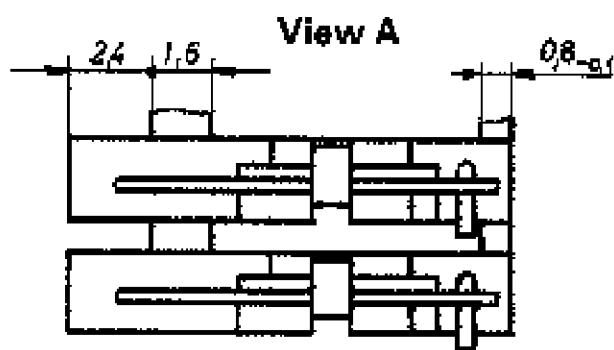
ERSETZT EC-ZEICHNUNG C42315-A1347-A1***-27 BL. 1 UND 2
 UND C42315-A1347-A2***-27 BL. 1

 OBSOLETE PARTS: OBSOLETE CIS STREAMLINING PER D.RENAUD/D.SINISI

| | |
|---|--|
| DIMENSIONS: mm | TOLERANCES UNLESS OTHERWISE SPECIFIED: |
|  | 0 PLC ± 1 PLC ± 2 PLC ± 3 PLC ± 4 PLC ± ANGLES ±° |
| MATERIAL - | FINISH - |

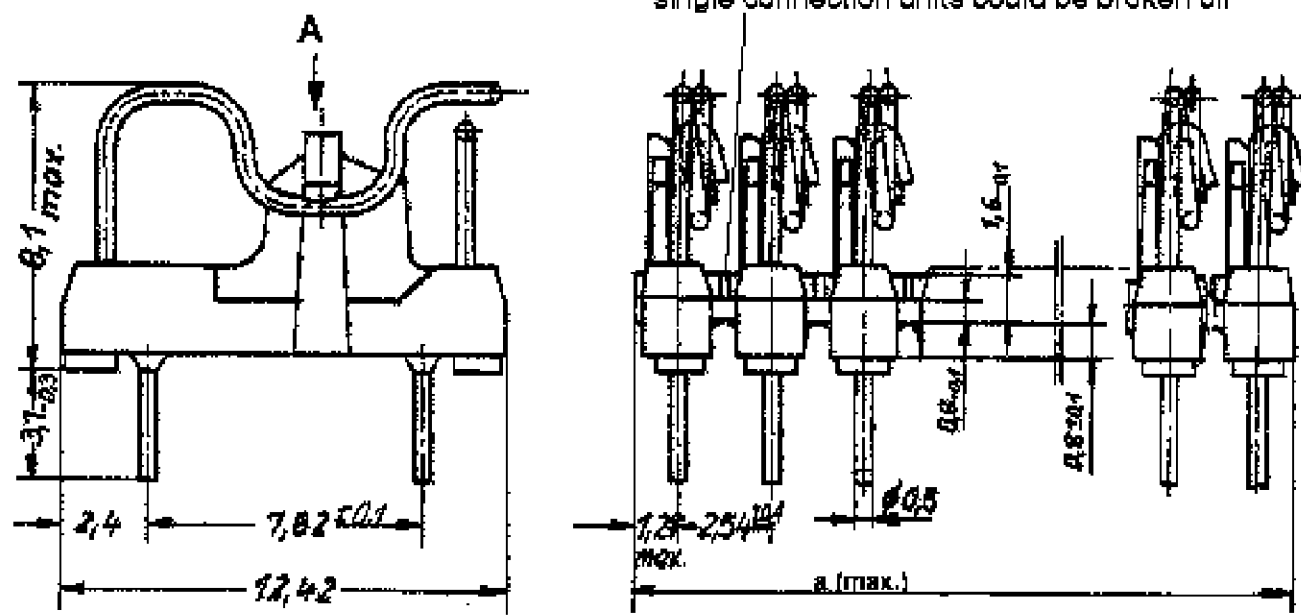
| | |
|---------------------------------|--|
| DWN 24 JAN 2001 G. ACKERMANN | OBSELETE TE Connectivity NOT the LATEST REVISION |
| CHK M. SCHLEIHAUF | |
| APVD G. FEIDMEIER | |
| PRODUCT SPEC | |
| APPLICATION SPEC | NAME |
| WEIGHT - | SIZE A3 |
| CUSTOMER DRAWING | CAGE CODE 00779 |
| SCALE 1:1 | DRAWING NO C=1393546-1 |
| SHEET 1 OF 3 | RESTRICTED TO |
| REV B3 | |

| LOC | DIST | REVISIONS | | | | | |
|-----|------|-----------|-----|-------------|------|-----|------|
| | | P | LTR | DESCRIPTION | DATE | DWN | APVD |
| A1 | - | - | - | SEE SHEET 1 | - | - | - |

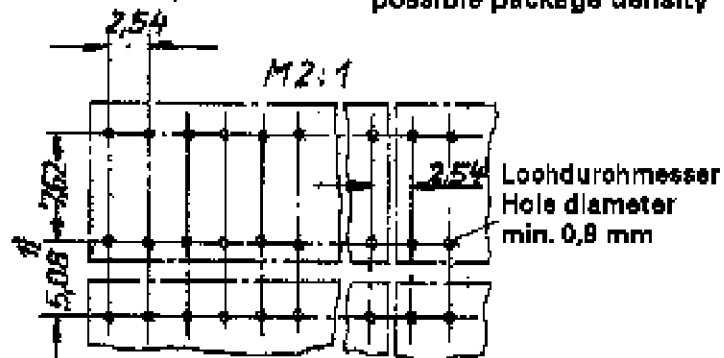


1) Beim Kleinmaß 5,08 müssen die Schalter spiegelbildlich montiert werden
In the case of dim. 5,08 the switches have to be mounted rear side to rear side

Sallbruchstellen, einzelne Verbindungen abtrennbar
Predetermined breaking point, single connection units could be broken off



Rasterlochung u. Packungsdichte
Mounting holes and possible package density



Schaltschema
(Beispiel: 8 Verbindungsmöglichkeiten)



Circuit schematic (example: 8 connections)



2

2

2

| TE CONNECTIVITY PART NO. | OLD PART NUMBER | DIMENSION a | POSITION NUMBER POLZAHL |
|------------------------------|------------------------------|------------------|-------------------------|
| 1 393 546 - 1 | C42315-A1347-A101 | 2.54 | 1 |
| 1 393 546 - 2 | C42315-A1347-A102 | 5.08 | 2 |
| 1 393 546 - 3 | C42315-A1347-A103 | 7.62 | 3 |
| 1 393 546 - 4 | C42315-A1347-A104 | 10.16 | 4 |
| 1 393 546 - 5 | C42315-A1347-A105 | 12.7 | 5 |
| 1 393 546 - 6 | C42315-A1347-A106 | 15.24 | 6 |
| 1 393 546 - 7 | C42315-A1347-A107 | 17.78 | 7 |
| 1 393 546 - 8 | C42315-A1347-A108 | 20.32 | 8 |
| 1 393 546 - 9 | C42315-A1347-A109 | 22.86 | 9 |
| 1 - 1 393 546 - 0 | C42315-A1347-A110 | 25.4 | 10 |
| 1 - 1 393 546 - 1 | C42315-A1347-A112 | 30.48 | 12 |
| 1 - 1 393 546 - 2 | C42315-A1347-A116 | 40.64 | 16 |
| 1 - 1 393 546 - 3 | C42315-A1347-A124 | 60.96 | 24 |

MATERIAL: PBTP-GF30; COLOUR: NATURE

ERSETZT EC-ZEICHNUNG C42315-A1347-A1**-*-27 BL. 1 UND 2

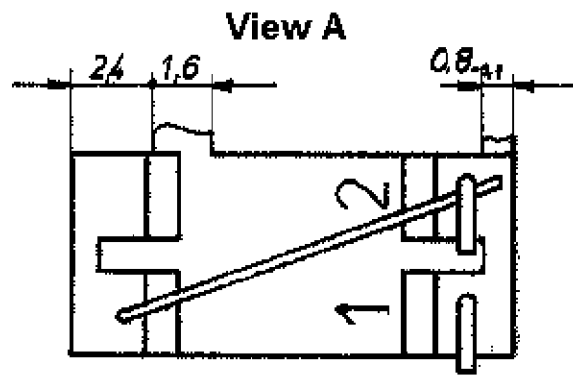
2 OBSOLETE PARTS: OBSOLETE CIS STREAMLINING PER D.RENAUD/D.SINISI

| DIMENSIONS: | TOLERANCES UNLESS OTHERWISE SPECIFIED: |
|-------------|--|
| mm | |
| | PL ± |
| | 1 P/C ± |
| | 2 P/C ±0.15 |
| | 3 P/C ± |
| | PL ± |
| | ANGLES ±1° |
| MATERIAL | FINISH |

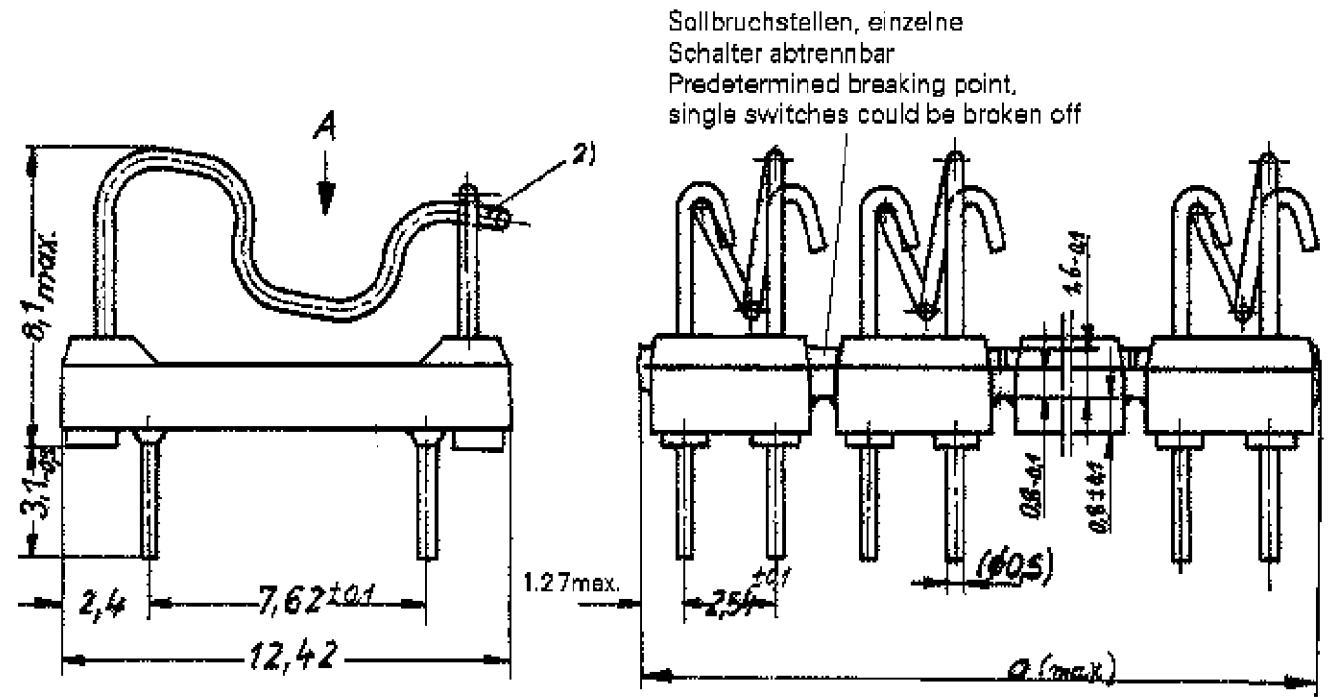
| | |
|---------------------------------|---|
| DWN 24 JAN 2001 G. ACKERMANN | TE Connectivity |
| CHK - M. SCHLEIHAUF | |
| APVD - G. FELDMEIER | NAME DIPFIX - SCHALTER DIPFIX - SWITCH |
| PRODUCT SPEC - | |
| APPLICATION SPEC - | |
| WEIGHT - | SIZE A3 CAGE CODE 00779 DRAWING NO. C=1393546-1 RESTRICTED TO - |
| CUSTOMER DRAWING | SCALE 5:1, 2:1 SHEET 2 OF 3 REV B3 |

THIS DRAWING IS UNPUBLISHED. RELEASED FOR PUBLICATION 2000
 © COPYRIGHT 2000 BY ALL RIGHTS RESERVED.

| LOC | DIST | REVISIONS | | | | | |
|-----|------|-----------|-----|-------------|------|-----|------|
| | | P | LTR | DESCRIPTION | DATE | DWN | APVD |
| A1 | - | - | - | SEE SHEET 1 | - | - | - |



- 1) Beim Kleinmaß 5,08 müssen die Schalter spiegelbildlich montiert werden
In the case of dim. 5,08 the switches have to be mounted rear side to rear side
- 2) ausgeliefert in ausgehaktm Zustand
delivered in unlocked condition

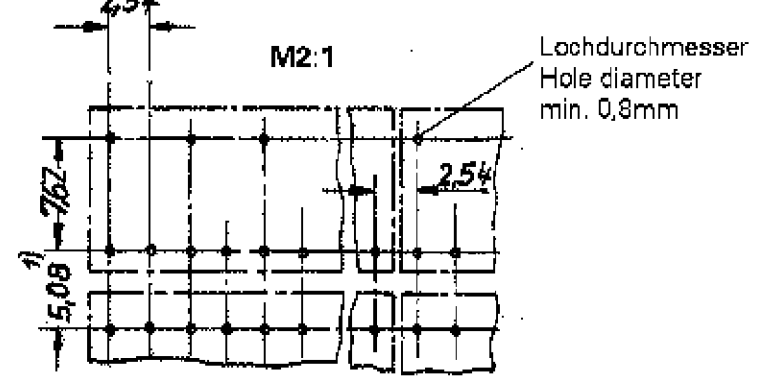


Sollbruchstellen, einzelne Schalter abtrennbar
 Predetermined breaking point, single switches could be broken off

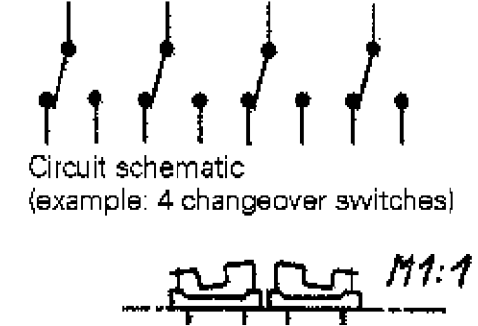
2

| TE CONNECTIVITY PART NO. | OLD PART NUMBER | DIMENSION a | POSITION NUMBER POLZAHL |
|--------------------------|-------------------|-------------|-------------------------|
| 1 - 1 393 546 - 4 | C42315-A1347-A201 | 5.08 | 1 |
| 1 - 1 393 546 - 5 | C42315-A1347-A202 | 10.16 | 2 |
| 1 - 1 393 546 - 6 | C42315-A1347-A203 | 15.24 | 3 |
| 1 - 1 393 546 - 7 | C42315-A1347-A204 | 20.32 | 4 |
| 1 - 1 393 546 - 8 | C42315-A1347-A205 | 25.4 | 5 |
| 1 - 1 393 546 - 9 | C42315-A1347-A208 | 40.64 | 8 |
| 2 - 1 393 546 - 0 | C42315-A1347-A212 | 60.96 | 12 |

Rasterlochung und Packungsdichte
 Mounting holes and possible package density



Schaltschema (Beispiel: 4 Umschalter)



ERSETZT EC-ZEICHNUNG C42315-A1347-A2***-27 BL.1

2 OBSOLETE PARTS: OBSOLETE CIS STREAMLINING PER D.RENAUD/D.SINISI

| DIMENSIONS: | TOLERANCES UNLESS OTHERWISE SPECIFIED: |
|-------------|--|
| mm | 0 PLC ± |
| | 1 PLC ± |
| | 2 PLC ± |
| | 3 PLC ± |
| | 4 PLC ± |
| | ANGLES ±° |
| MATERIAL | FINISH |

| | |
|------------------|---------------|
| DWN | 24 JAN 2001 |
| CHK | G. ACKERMANN |
| APVD | M. SCHLEIHAUF |
| PRODUCT SPEC | G. FELDMEIER |
| APPLICATION SPEC | - |
| WEIGHT | - |
| CUSTOMER DRAWING | |

TE TE Connectivity

NAME: DIPFIX - SCHALTER
DIPFIX - SWITCH

| | | | |
|------|-----------|-------------|---------------|
| SIZE | CAGE CODE | DRAWING NO | RESTRICTED TO |
| A3 | 00779 | C=1393546-1 | - |

SCALE: 5:1, 2:1 SHEET 3 OF 3 REV B3

单击下面可查看定价，库存，交付和生命周期等信息

[>>TE Connectivity\(泰科\)](#)