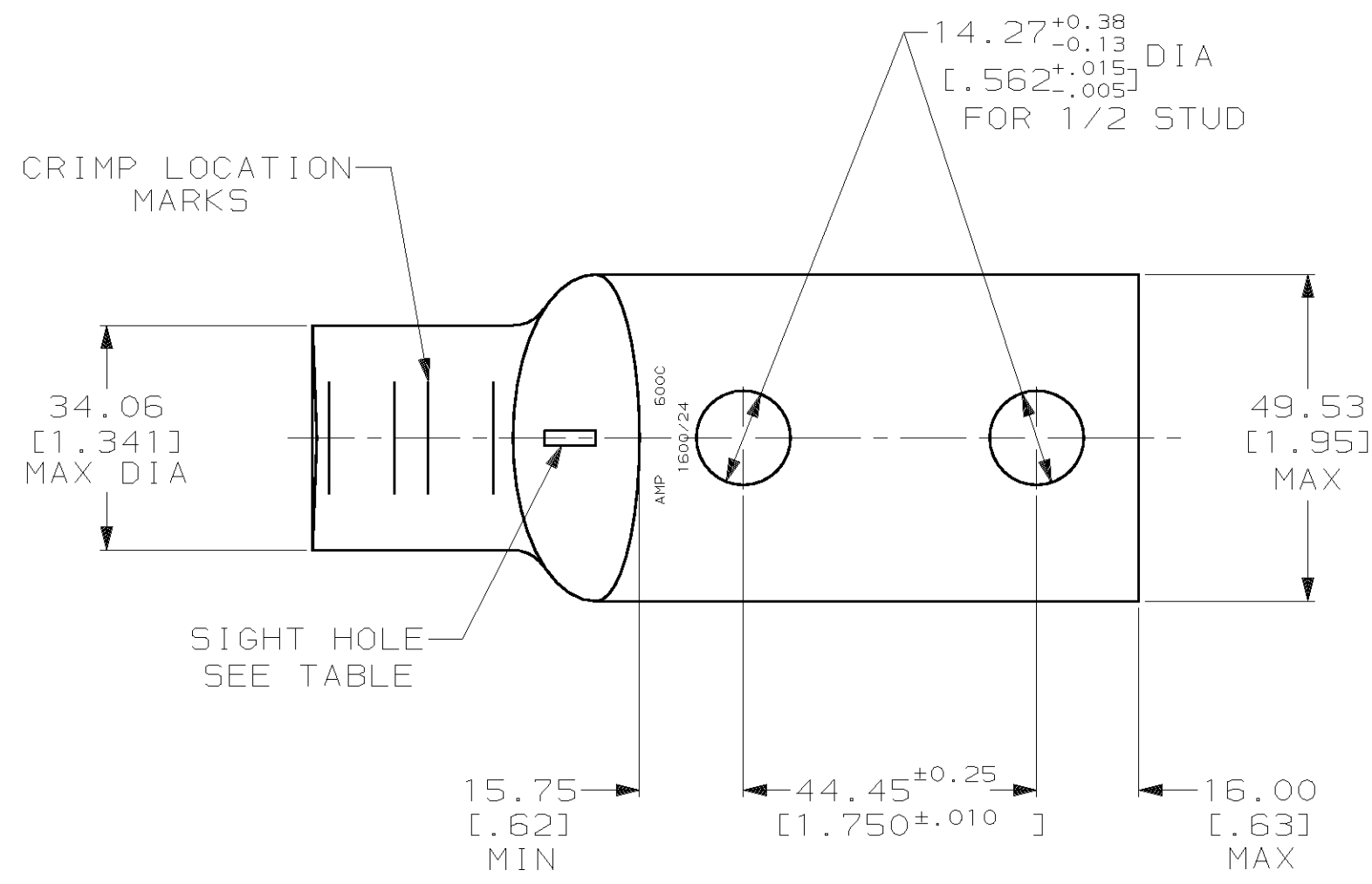
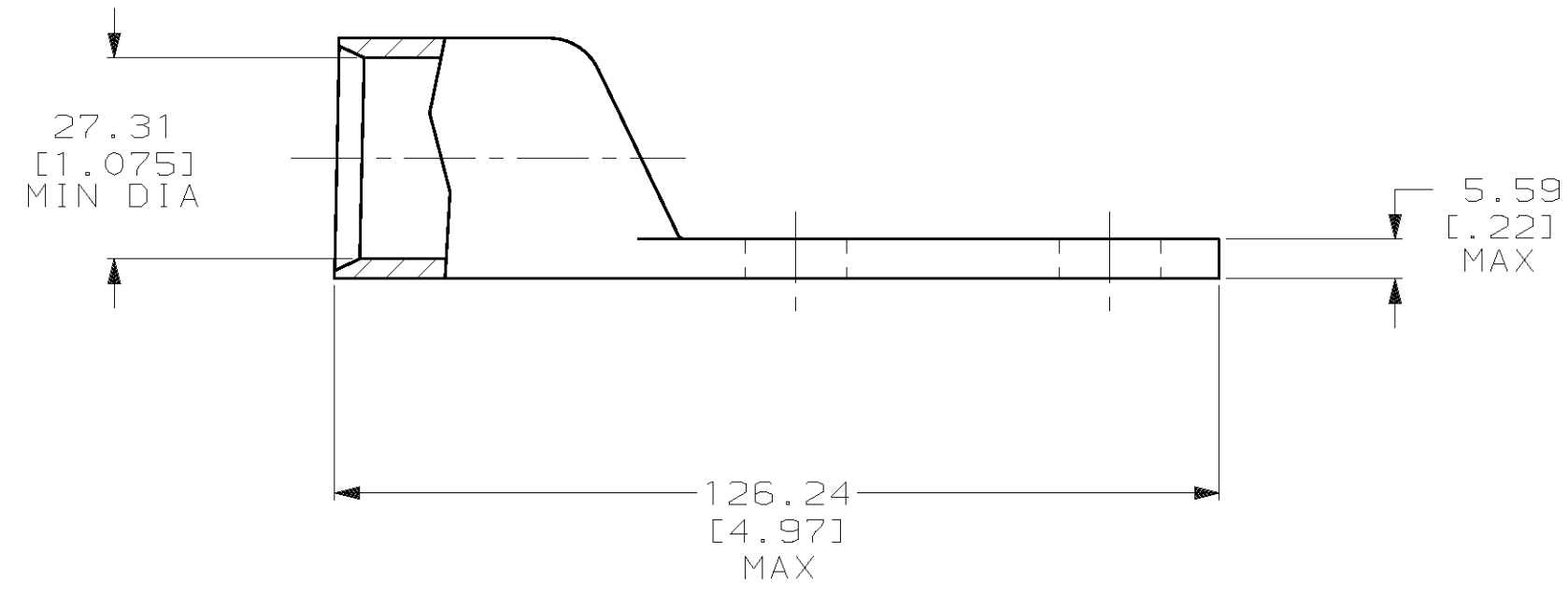


THIS DRAWING IS UNPUBLISHED. RELEASED FOR PUBLICATION, 19 .
 © COPYRIGHT 19 BY AMP INCORPORATED. ALL INTERNATIONAL RIGHTS RESERVED.

LOC		DIST		REVISIONS				DATE	APPD
ZONE	LTR	DESCRIPTION	DATE	APPD					
G	86	P	F	P	REV PER 0G3A-0561-01	09OCT02	JR/MS		



- 1 CIRCULAR MIL RANGE: 550-650 MCM
- 2 TIN PL 0.00381 [0.000150] MIN THK PER ASTM B-545
- 3 CLEANED, UNPLATED



FINISH	SIGHT HOLE	PART NO
3	REQ'D	327290-2
2	NONE	327290-1
2	REQ'D	327290

DO NOT SCALE PRINT. UNLESS SPECIFIED DIMENSIONS IN mm [INCHES] TOLERANCES ON : 2 PLC DEC ± 0.51 [0.020] 3 PLC DEC ± - ANGLES ± -	DR 02/28/90 DK SCHRUM CHK 25JAN95 MS FEHER
MATERIAL ANNEALED COPPER ASTM B-75	APPD 25JAN95 WJ VOCKROTH APPD 25JAN95 TL SHUTTER
FINISH SEE TABLE	PRODUCT SPEC 108-30200 APPLICATION SPEC - WEIGHT .574 LB

AMP AMP INCORPORATED Harrisburg, Pa. 17105		
NAME TERMINAL, AMPPOWER, WIRE SIZE: 600 MCM		
SIZE C	CAGE CODE 00779	DRAWING NO 327290
SCALE 1:1	SHEET 1 OF 1	



单击下面可查看定价，库存，交付和生命周期等信息

[>>TE Connectivity\(泰科\)](#)