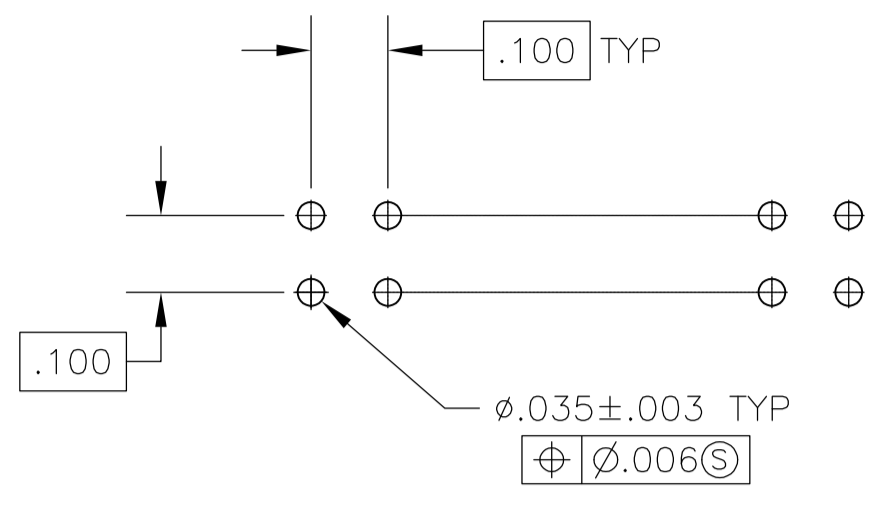
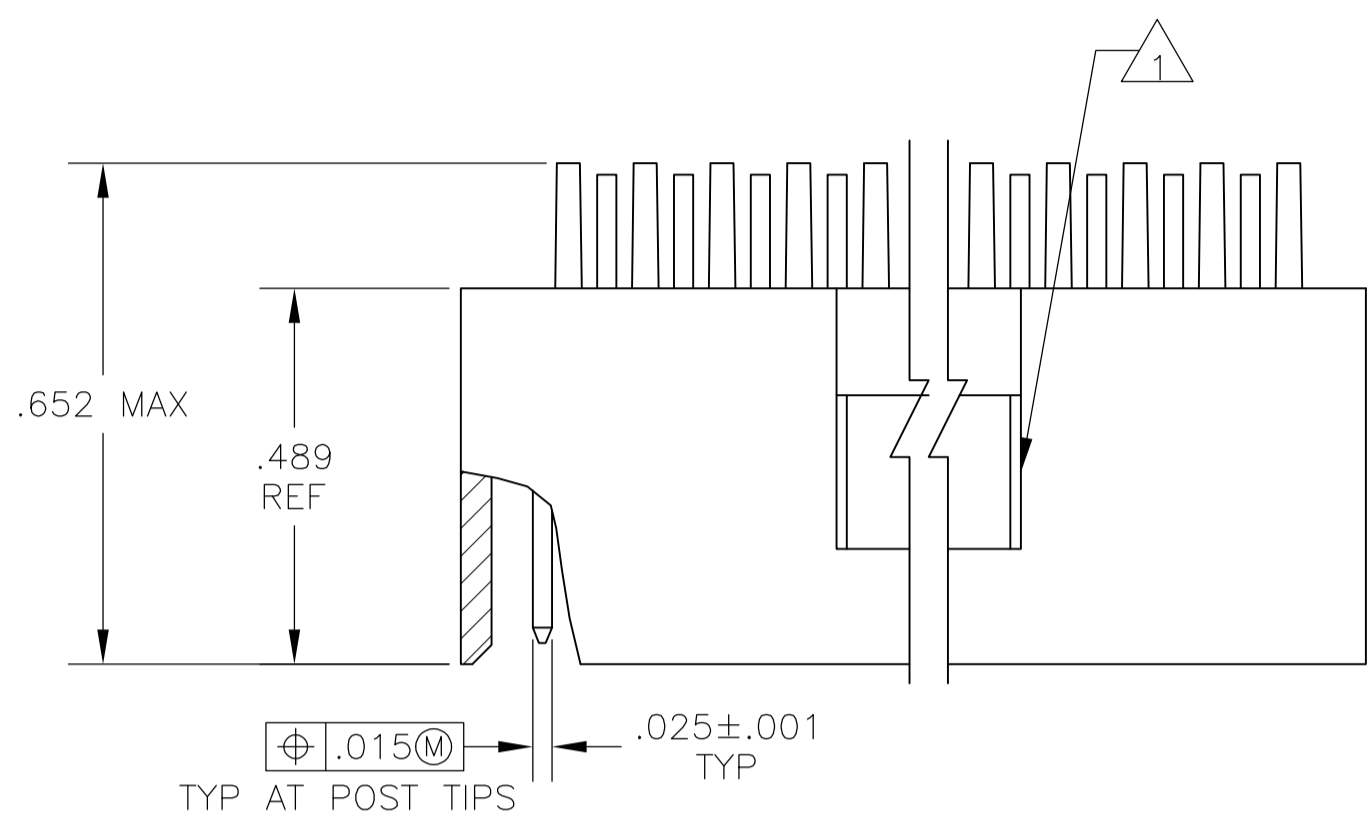
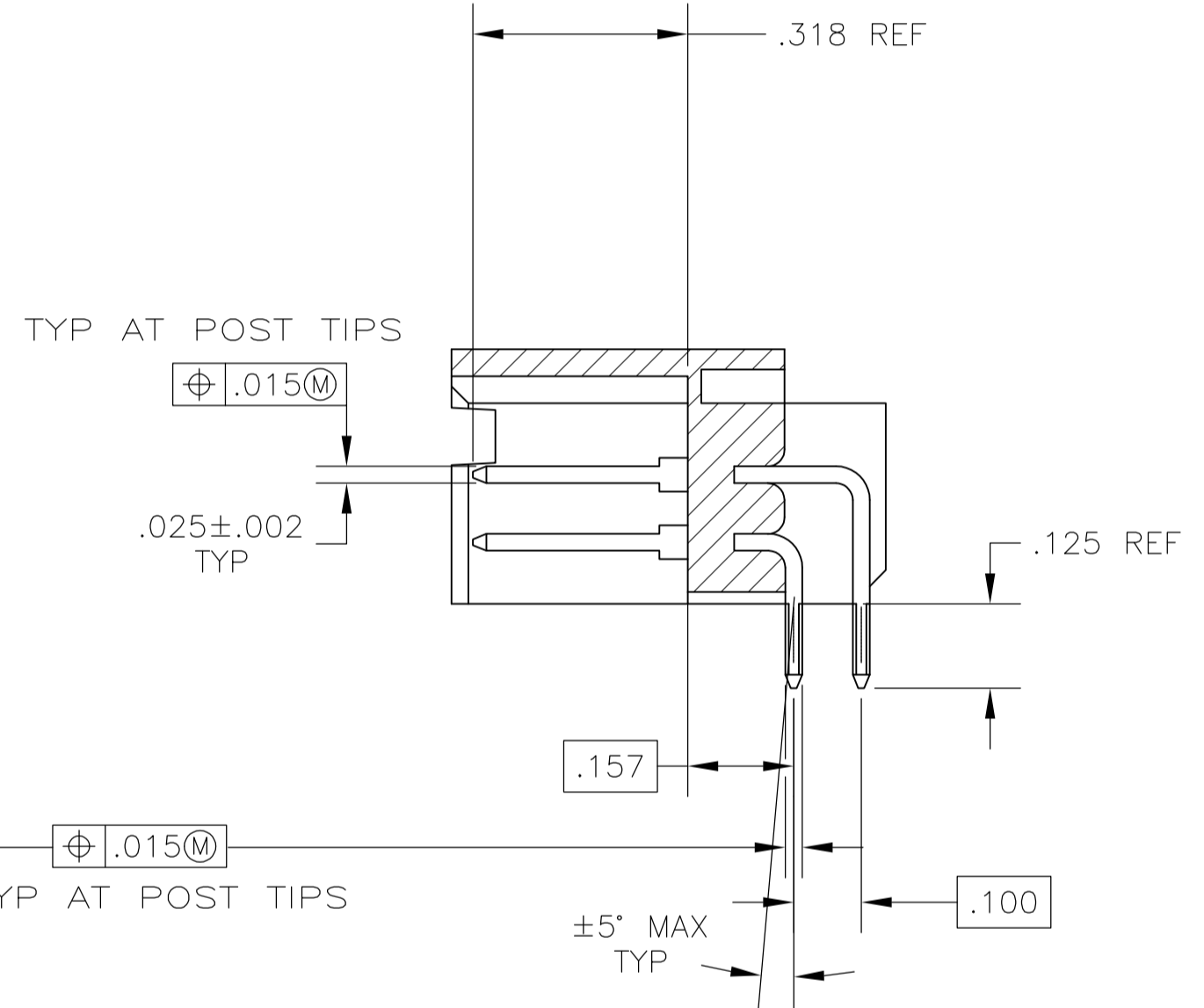
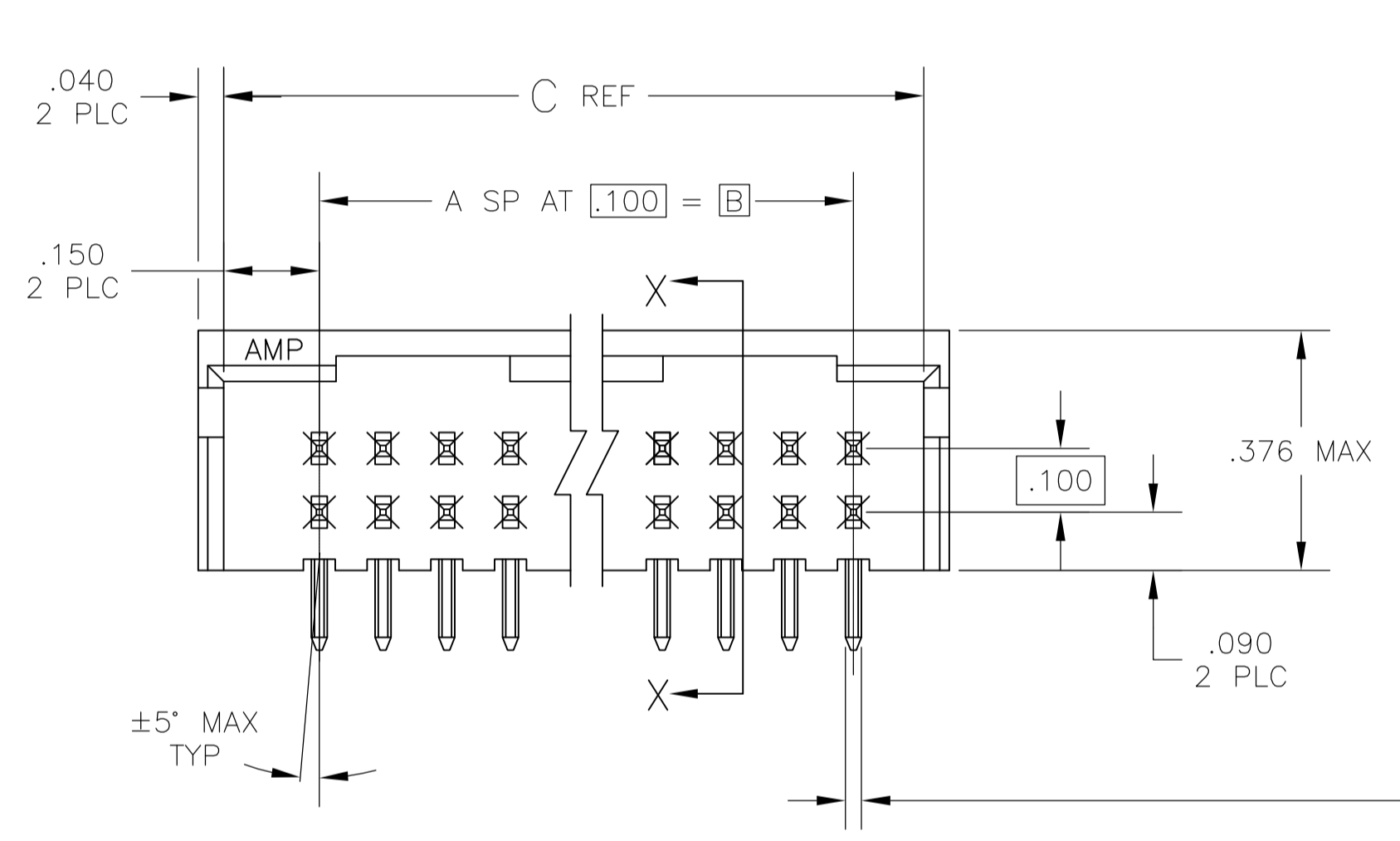


LOC		DIST		REVISIONS			
P	LTR	DESCRIPTION	DATE	DNW	APVD		
J	EC	063C 0209 05	27APR05	BSV	JLG		
J1		REVISED PER ECO-09-020689	01SEP09	KK	AEG		



RECOMMENDED HOLE LAYOUT



SECTION X-X

- △1 ACCESS SLOT.
- △2 CONTACT: .000100-.000200 BRIGHT TIN-LEAD OVER .000050 NICKEL.
- △3 CONTACT: .000100-.000200 MATTE TIN OVER .000050 NICKEL.
- △4 OBSOLETE PARTS: OBSOLETE CIS STREAMLINING PER D.RENAUD/D.SINISI

4	3	2.900	2.900	29	60	7-87568-6
OBSOLETE	3	2.700	2.400	24	50	7-87568-1
	3	2.200	1.900	19	40	6-87568-6
	3	1.900	1.600	16	34	6-87568-3
	3	1.500	1.200	12	26	5-87568-9
	3	1.200	.900	9	20	5-87568-6
OBSOLETE	4	1.100	.800	8	18	5-87568-5
OBSOLETE	3	1.000	.700	7	16	5-87568-4
	3	.900	.600	6	14	5-87568-3
	3	.800	.500	5	12	5-87568-2
	3	.700	.400	4	10	5-87568-1
OBSOLETE	2	3.800	3.500	35	72	3-87568-2
OBSOLETE	2	3.700	3.400	34	70	3-87568-1
OBSOLETE	2	3.600	3.300	33	68	3-87568-0
OBSOLETE	2	3.500	3.200	32	66	2-87568-9
OBSOLETE	2	3.400	3.100	31	64	2-87568-8
OBSOLETE	2	3.300	3.000	30	62	2-87568-7
OBSOLETE	2	3.200	2.900	29	60	2-87568-6
OBSOLETE	2	3.100	2.800	28	58	2-87568-5
OBSOLETE	2	3.000	2.700	27	56	2-87568-4
OBSOLETE	2	2.900	2.600	26	54	2-87568-3
OBSOLETE	2	2.800	2.500	25	52	2-87568-2
OBSOLETE	2	2.700	2.400	24	50	2-87568-1
OBSOLETE	2	2.600	2.300	23	48	2-87568-0
OBSOLETE	2	2.500	2.200	22	46	1-87568-9
OBSOLETE	2	2.400	2.100	21	44	1-87568-8
OBSOLETE	2	2.300	2.000	20	42	1-87568-7
OBSOLETE	2	2.200	1.900	19	40	1-87568-6
OBSOLETE	2	2.100	1.800	18	38	1-87568-5
OBSOLETE	2	2.000	1.700	17	36	1-87568-4
OBSOLETE	2	1.900	1.600	16	34	1-87568-3
OBSOLETE	2	1.800	1.500	15	32	1-87568-2
OBSOLETE	2	1.700	1.400	14	30	1-87568-1
OBSOLETE	2	1.600	1.300	13	28	1-87568-0
SUPERSEDED	2	1.500	1.200	12	26	87568-9
OBSOLETE	2	1.400	1.100	11	24	87568-8
OBSOLETE	2	1.300	1.000	10	22	87568-7
SUPERSEDED	2	1.200	.900	9	20	87568-6
	2	1.100	.800	8	18	87568-5
	2	1.000	.700	7	16	87568-4
	2	.900	.600	6	14	87568-3
	2	.800	.500	5	12	87568-2
	2	.700	.400	4	10	87568-1

PLATING	C	B	A	NO OF POSN	PART NUMBER
THIS DRAWING IS A CONTROLLED DOCUMENT.					
DIMENSIONS: INCHES		TOLERANCES UNLESS OTHERWISE SPECIFIED:		DWN: S.A. SHUEY 11OCT89 CHK: R. FLICKER 25OCT89 APVD: R. FLICKER 25OCT89 NAME: R. FLICKER PRODUCT SPEC: -- APPLICATION SPEC: -- WEIGHT: -- MATERIAL: HOUSING: FLAME RETARDANT COLOR: BLACK POSTPHOS BRONZE FINISH: SEE TABLE	
0 PLC ± - 1 PLC ± - 2 PLC ± - 3 PLC ± .005 4 PLC ± - ANGLES ± -		SIZE: A1 CAGE CODE: 00779 DRAWING NO: 87568		Tyco Electronics Corporation Harrisburg, Pa 17105-3608 HEADER ASSY, MOD II, DBL ROW, .100X.100 C/L, RIGHT ANGLE, (3) SIDED SHROUD	
CUSTOMER DRAWING		SCALE: 4:1		SHEET 1 OF 1 REV J1	

单击下面可查看定价，库存，交付和生命周期等信息

[>>TE Connectivity\(泰科\)](#)