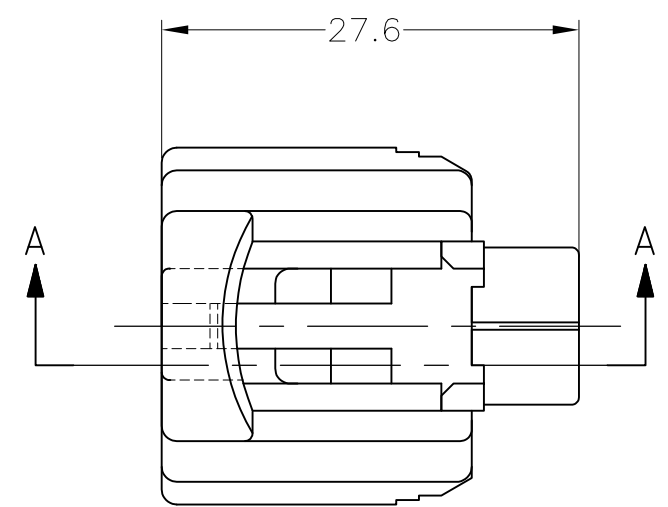
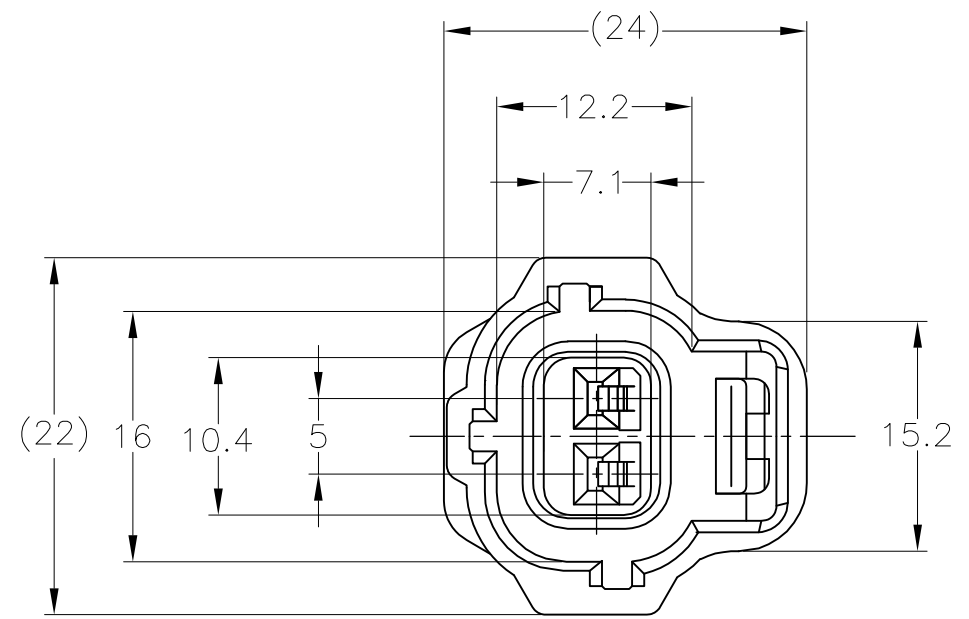


THIS DRAWING IS UNPUBLISHED. RELEASED FOR PUBLICATION
 © COPYRIGHT 2014] ALL RIGHTS RESERVED.

LOC	DIST	REVISIONS					
J	—	P	LTR	DESCRIPTION	DATE	DWN	APVD
		A		RELEASED	06AUG14	DM	TK

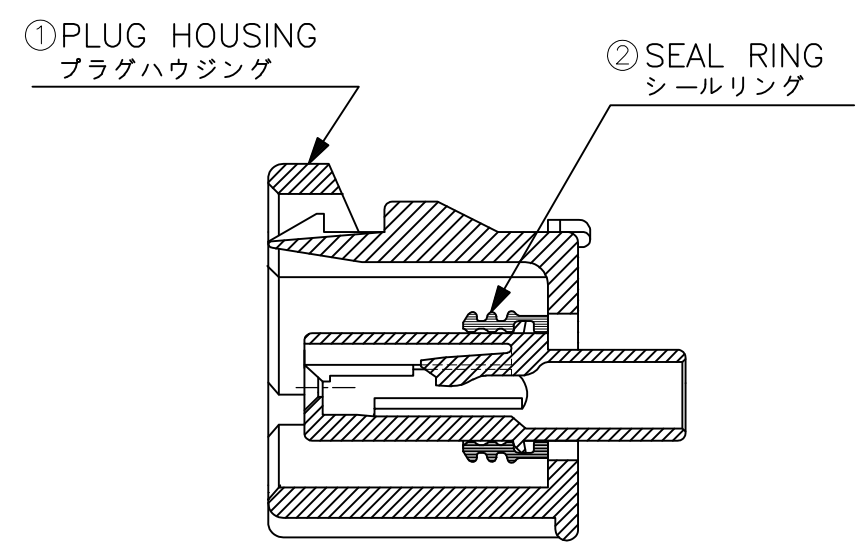


注;

- 1 本品はプラグハウジング単体とNBR製シールリングから構成されている。
- 2 適用端子番：下表による。

コンタクト型番	適用電線	被覆外径
171630	AVS 0.2~AV 0.5	φ1.4~φ2.4
171662	AVS 0.5~1.25	φ2~φ2.6

③ シールリングはフタル酸フリー品である。



A-A

NOTE;

- 1 THIS PRODUCT CONSISTS OF A PLUG HOUSING AND A SEAL RING WHICH IS MADE OF NBR
- 2 APPLIED CONTACT ;

CONTACT PN	WIRE RANGE	INSULATION DIA
171630	AVS 0.2~AV 0.5	φ1.4~φ2.4
171662	AVS 0.5~1.25	φ2~φ2.6

③ SEAL RING IS NON-BIS TYPE

NBR/BLACK	PBT/DARK GREEN	2822362-4
NBR/BLACK	PBT/GRAY	2822362-3
NBR/BLACK	PBT/GREEN	2822362-2
NBR/BLACK	PBT/BROWN	2822362-1
② SEAL RING	① PLUG HOUSING	PART NUMBER
MATERIAL / COLOR		

TOLERANCE UNLESS OTHERWISE SPECIFIED:
一般公差

0 < x ≤ 10	: ±0.2
10 < x ≤ 30	: ±0.25
30 < x ≤ 100	: ±0.3
ANGLE : 角度	: ±3°

THIS DRAWING IS A CONTROLLED DOCUMENT.

DIMENSIONS: mm	TOLERANCES UNLESS OTHERWISE SPECIFIED:
	0 PLC ±-
	1 PLC ±-
	2 PLC ±-
	3 PLC ±-
	4 PLC ±-
	ANGLES ±-
MATERIAL SEE TABLE	FINISH -

DWN D.MATSUURA 06AUG2014	STE TE Connectivity			
CHK S.IWATANI 06AUG2014				
APVD T.KOHNO 06AUG2014	NAME			
PRODUCT SPEC 108-5262	070 SERIES EJ-2 CONNECTOR 2 POSITION PLUG HOUSING KEY D			
APPLICATION SPEC	SIZE	CAGE CODE	DRAWING NO	RESTRICTED TO
WEIGHT 5.3 g	A3	00779	C-2822362	-
CUSTOMER DRAWING	SCALE 2:1	SHEET 1 OF 1	REV A	

单击下面可查看定价，库存，交付和生命周期等信息

[>>TE Connectivity\(泰科\)](#)