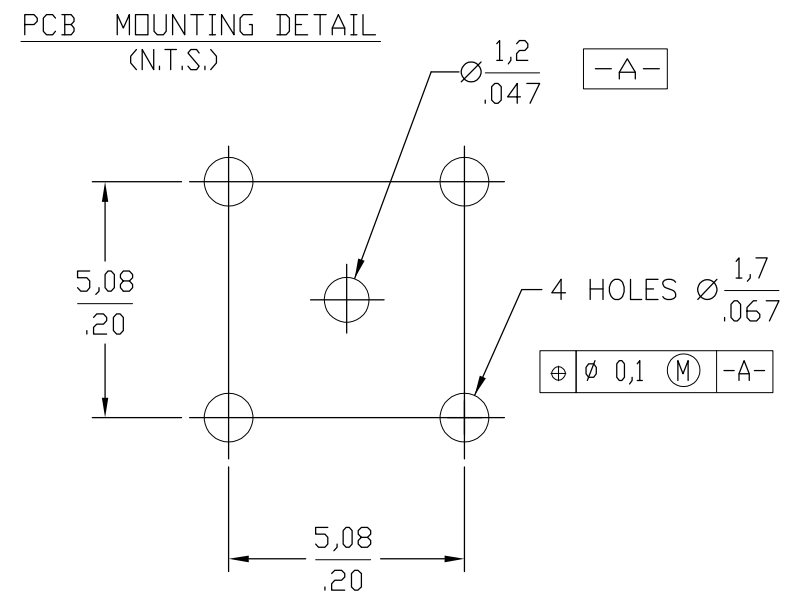
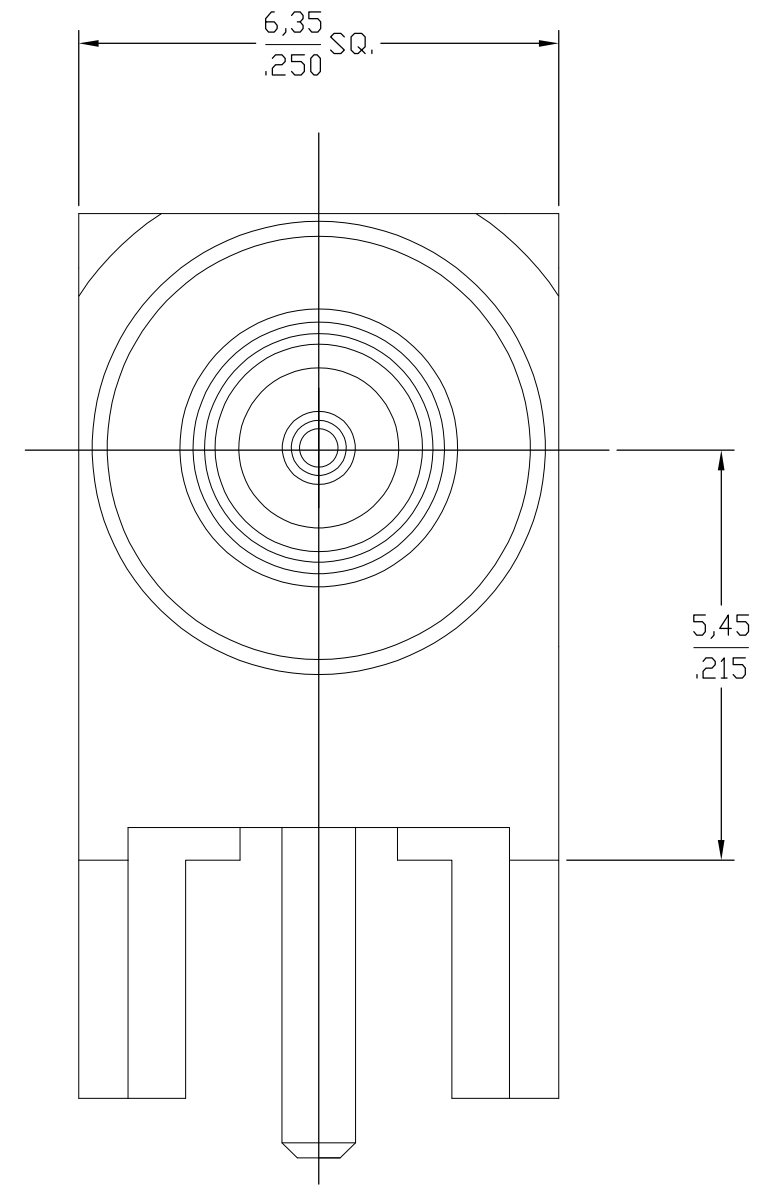
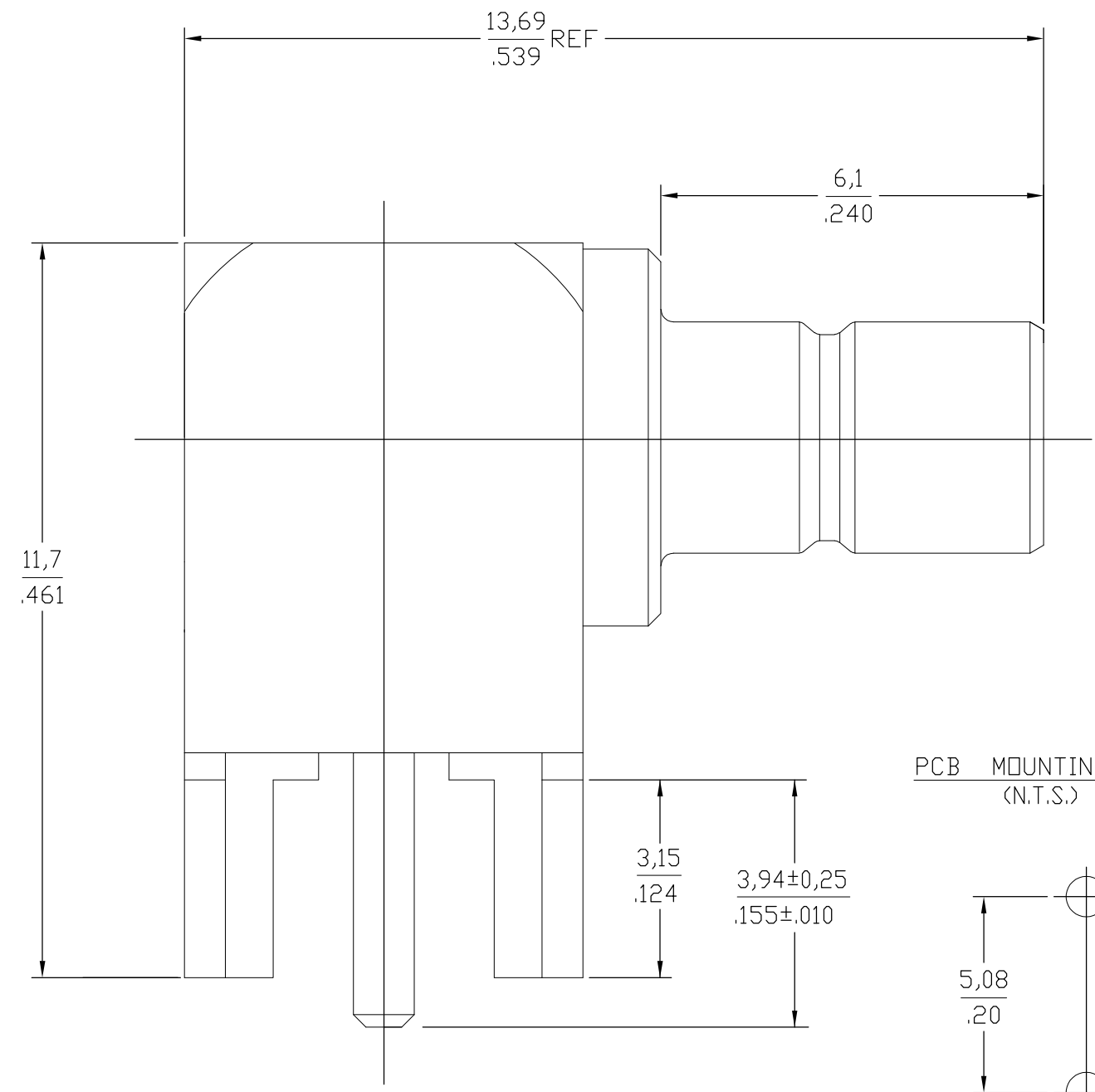


THIS DRAWING IS UNPUBLISHED. RELEASED FOR PUBLICATION
 © COPYRIGHT - By - ALL RIGHTS RESERVED.

LOC HC	DIST 00	REVISIONS		
P	LTR	DESCRIPTION	DATE	DWN
	A2	ECR-12-005726	27MAR12	RK
				APVD MY



1310852-1
PART NO

CAP JACK HOUSING EXTRA HOUSING MALE CONTACTS	BRASS PER ASTM B 16, 1/2 HD	GOLD PLATE PER ASTM B 488
DIELECTRICS	PTFE PER ASTM D 1710	N/A
COMPONENT	MATERIAL	FINISH

THIS DRAWING IS A CONTROLLED DOCUMENT.		DWN CAM	8/22/85	TE Connectivity NAME 'SMB' PCB RIGHT ANGLE SOCKET (B65N10G999X)	
DIMENSIONS: mm [INCHES]		CHK CAM	8/22/85		
TOLERANCES UNLESS OTHERWISE SPECIFIED:		APVD CAM	8/22/85		
0 PLC ± - 1 PLC ± - 2 PLC ± - 3 PLC ± 0.127 [.005] 4 PLC ± - ANGLES ± 1°		PRODUCT SPEC	-		
MATERIAL	FINISH	APPLICATION SPEC	-	SIZE	A3
-	-	WEIGHT	-	CAGE CODE	00779
CUSTOMER DRAWING			SCALE	10:1	SHEET
				1 OF 1	REV
					A2

单击下面可查看定价，库存，交付和生命周期等信息

[>>TE Connectivity\(泰科\)](#)