

4

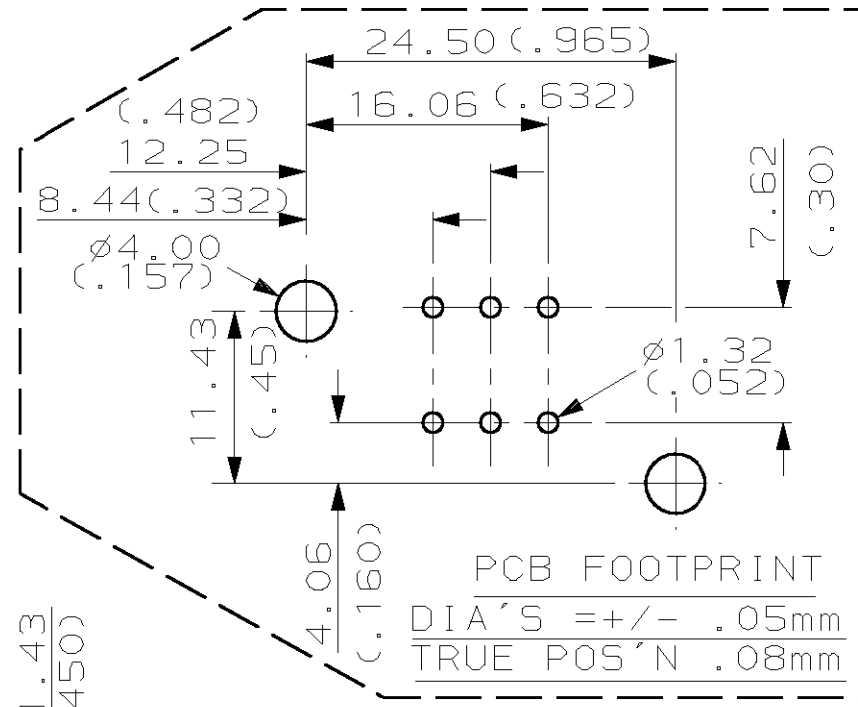
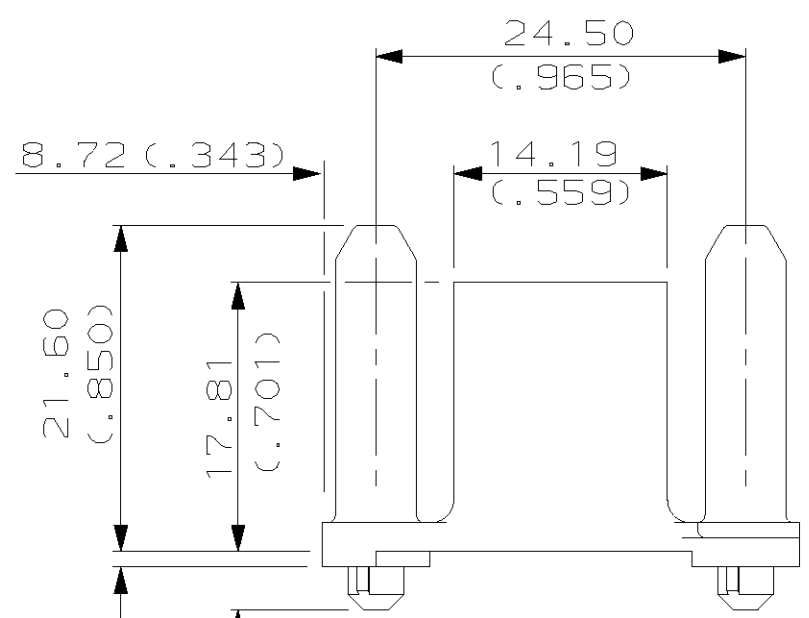
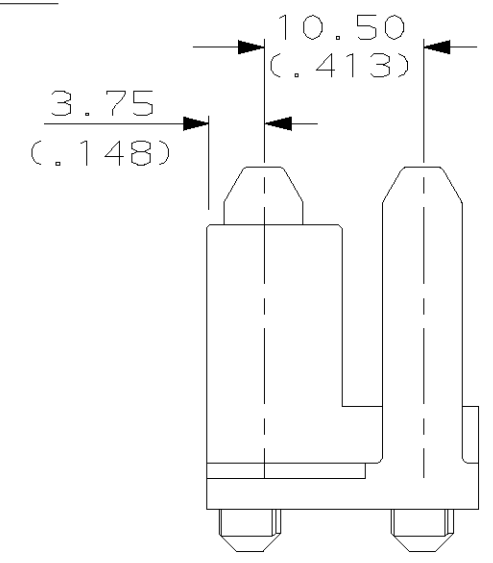
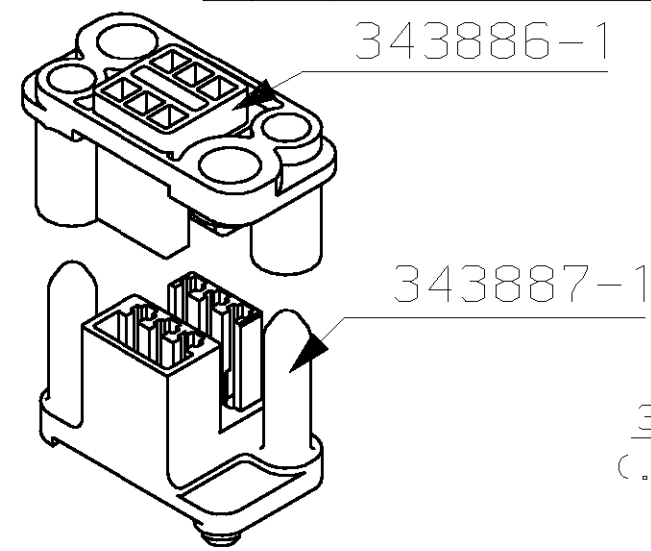
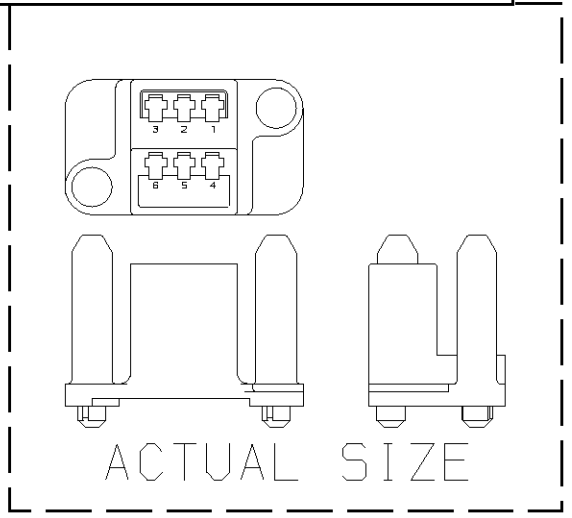
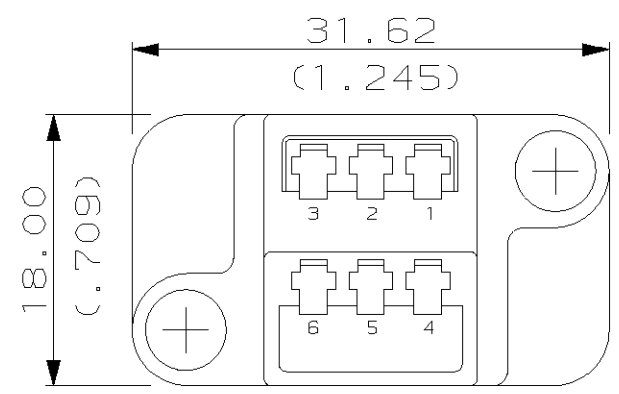
3

2

1

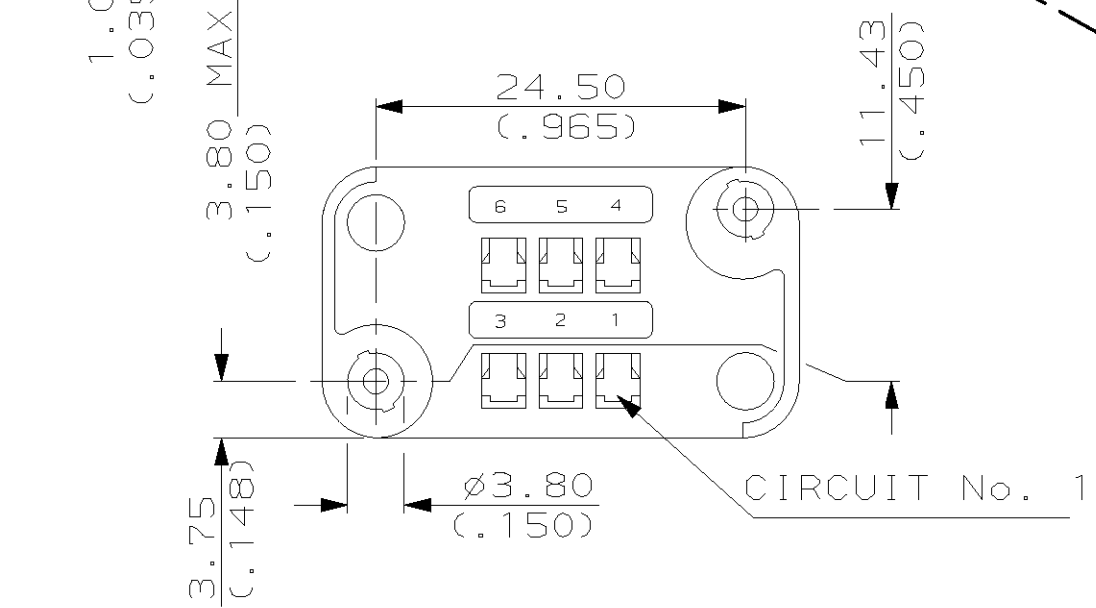
THIS DRAWING IS UNPUBLISHED. RELEASED FOR PUBLICATION .19 .
 © COPYRIGHT 19 BY AMP INCORPORATED. ALL RIGHTS RESERVED.

LOC	DIST	REVISIONS			
P	LTR	DESCRIPTION	DATE	DWN	APVD
AD	00				
	4	ECN C4735	28-8-87	WW	AM
	A	REV PER 0652-0140-98	10/06/99	MM	MB



NOTES

1. MATES WITH 343886-1.
2. RECEIVES CONTACT No. 583293-2.
3. PERFORMANCE AS PER AMP PRODUCT SPECIFICATION 108-3080.
4. MOUNTING DETAILS: PCB TO MOUNTING PLATE DAYLIGHT 22.20 (.874) MIN. OVERALL MATED HEIGHT 25.50 MAX.
5. CONSULT AMP GB. ENGINEERING



343887-1
 PART NO

THIS DRAWING IS A CONTROLLED DOCUMENT.		DWN W. WILSON 16DEC86	AMP Incorporated Harrisburg, PA 17105-3608	
DIMENSIONS: mm		CHK -		
TOLERANCES UNLESS OTHERWISE SPECIFIED:		APVD -	PCB HEADER HOUSING	
0 PLC ±- 1 PLC ±0.5 2 PLC ±0.2 3 PLC ±- 4 PLC ±- ANGLES ±1°		PRODUCT SPEC -	SIZE CAGE CODE DRAWING NO RESTRICTED TO	
MATERIAL 30% GF PBT		APPLICATION SPEC -	A3 00779 C- 343887	
FINISH BLACK		WEIGHT -	SCALE 2:1 SHEET 1 OF 1 REV A	
CUSTOMER DRAWING				

单击下面可查看定价，库存，交付和生命周期等信息

[>>TE Connectivity\(泰科\)](#)