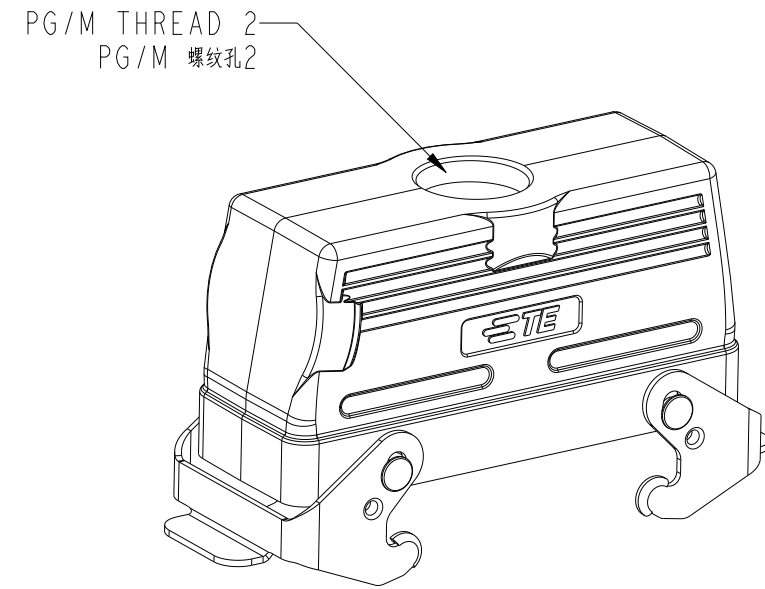
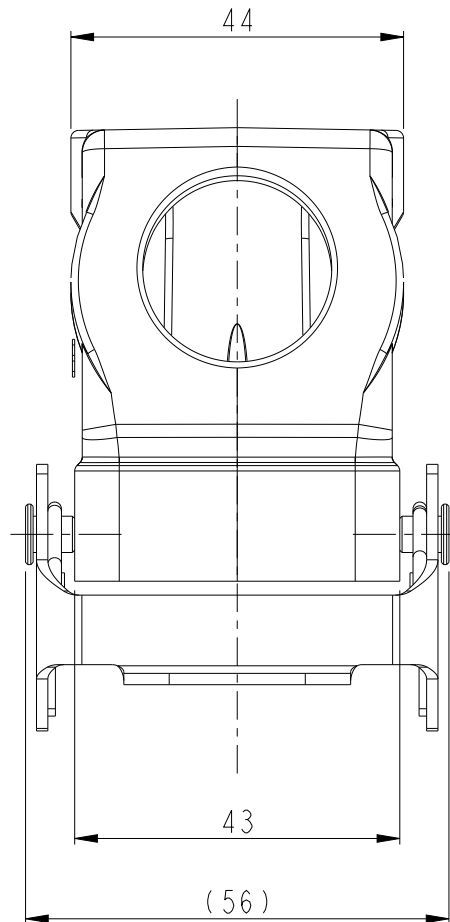
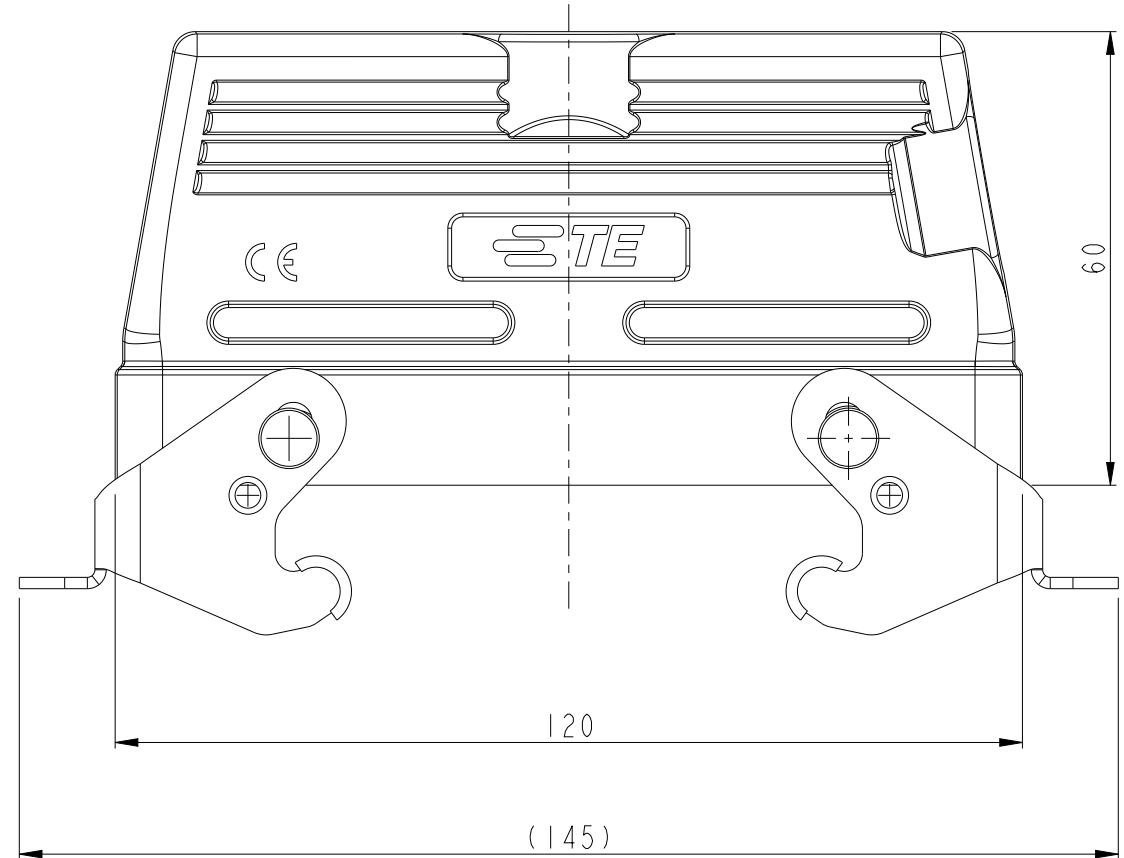


THIS DRAWING IS UNPUBLISHED. RELEASED FOR PUBLICATION 20
 © COPYRIGHT 20 BY - ALL RIGHTS RESERVED.

REVISIONS				
P	LTR	DESCRIPTION	DATE	APVD
A		INITIAL	29MAY2015	DW CW
AI		ECR-17-008664	17JUN2017	CH CW
B		ECR-20-014876	06NOV2020	WOR CW

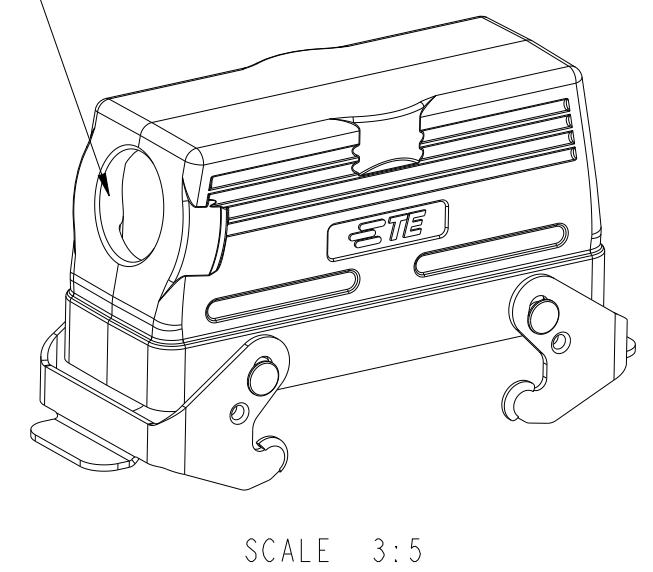
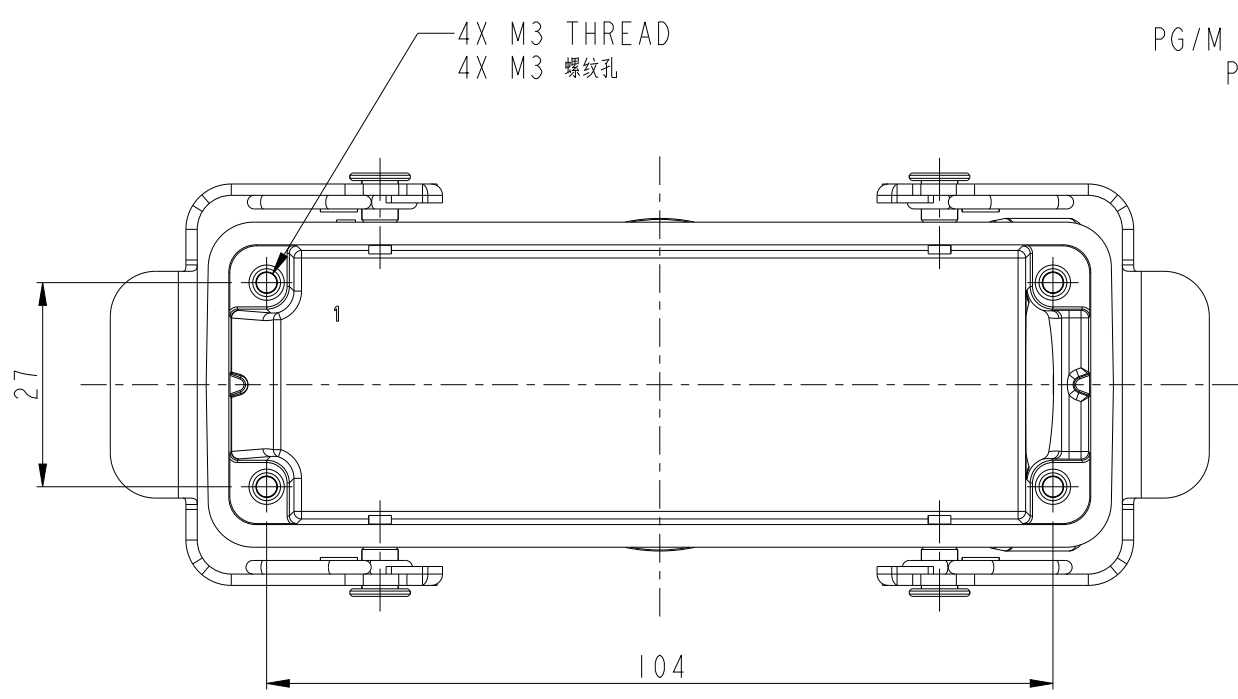


SCALE 3:5

TYPE 2: LOW CONSTRUCTION, TOP ENTRY WITH STEEL DOUBLE LOCKING
 OTHER SPEC REFER TO TYPE 1
 类型2: 低结构, 顶出, 带彩锌双扣, 其它规格参照类型1

NOTES:
 1. TECHNICAL CHARACTERISTICS:
 HOOD MATERIAL: DIE CAST ALUMINIUM ALLOY
 SURFACE: POWDER COATED, GREY
 DEGREE OF PROTECTION: IP65 (MATED)

注释:
 1. 技术参数:
 上壳材料: 铝合金
 表面处理: 灰色粉末喷涂
 防护等级: IP65(配合)



SCALE 3:5

TYPE 1: LOW CONSTRUCTION, SIDE ENTRY WITH STEEL DOUBLE LOCKING
 类型1: 低结构, 侧出, 带彩锌双扣

PART NUMBER 料号	PART DESCRIPTION 描述	PG/M THREAD 1 PG/M 螺纹孔1	PG/M THREAD 2 PG/M 螺纹孔2	TYPE 类型
T1260242132-000	H24B-TGB-M32 H24B HOOD, TOP ENTRY M32, METAL DOUBLE LOCKING, POWDER COATED, GREY H24B上壳, 顶出M32, 彩锌双扣, 灰色粉末喷涂	-	M32	TYPE 2 类型2
T1260242129-000	H24B-TGB-PG29 H24B HOOD, TOP ENTRY PG29, METAL DOUBLE LOCKING, POWDER COATED, GREY H24B上壳, 顶出PG29, 彩锌双扣, 灰色粉末喷涂	-	PG29	
T1260242125-000	H24B-TGB-M25 H24B HOOD, TOP ENTRY M25, METAL DOUBLE LOCKING, POWDER COATED, GREY H24B上壳, 顶出M25, 彩锌双扣, 灰色粉末喷涂	-	M25	
T1260242121-000	H24B-TGB-PG21 H24B HOOD, TOP ENTRY PG21, METAL DOUBLE LOCKING, POWDER COATED, GREY H24B上壳, 顶出PG21, 彩锌双扣, 灰色粉末喷涂	-	PG21	
T1260240000-000	H24B-TGB H24B HOOD, NO ENTRY, METAL DOUBLE LOCKING, POWDER COATED, GREY H24B上壳, 无开孔, 彩锌双扣, 灰色粉末喷涂	-	-	
T1250242132-000	H24B-TSB-M32 H24B HOOD, SIDE ENTRY M32, METAL DOUBLE LOCKING, POWDER COATED, GREY H24B上壳, 侧出M32, 彩锌双扣, 灰色粉末喷涂	M32	-	TYPE 1 类型1
T1250242125-000	H24B-TSB-M25 H24B HOOD, SIDE ENTRY M25, METAL DOUBLE LOCKING, POWDER COATED, GREY H24B上壳, 侧出M25, 彩锌双扣, 灰色粉末喷涂	M25	-	
T1250242121-000	H24B-TSB-PG21 H24B HOOD, SIDE ENTRY PG21, METAL DOUBLE LOCKING, POWDER COATED, GREY H24B上壳, 侧出PG21, 彩锌双扣, 灰色粉末喷涂	PG21	-	

THIS DRAWING IS A CONTROLLED DOCUMENT.

DWN DAVID.WANG 29MAY2015	TE Connectivity	NAME H24B-TSB/TGB/TSBH/TGBH-M/PG			
CHK CHRIS.WANG 29MAY2015					
APVD XIANG.XU 29MAY2015					
PRODUCT SPEC 108-137013					
MATERIAL -	APPLICATIO SPC 114-137013	SIZE A2	CAGE CODE 00779	DRAWING NO. C-T12X024XXXX000	RESTRICTED TO -
TOLERANCES UNLESS OTHERWISE SPECIFIED:	FINISH -	WEIGHT -	SCALE 1:1	SHEET 1 OF 2	REV B
0 PLC ±-		Customer Drawing			
1 PLC ±-					
2 PLC ±-					
3 PLC ±-					
4 PLC ±-					
ANGLES ±-					

4

3

2

1

THIS DRAWING IS UNPUBLISHED. RELEASED FOR PUBLICATION 20
 © COPYRIGHT 20 BY - ALL RIGHTS RESERVED.

REVISIONS				
P	LTR	DESCRIPTION	DATE	APVD
-	-	SEE SHEET 1	-	-

120
76
(145)

45
43
(56)

PG/M THREAD 2
PG/M 螺纹孔2

SCALE 3:5

NOTES:
SEE SHEET 1

TYPE 4: HIGH CONSTRUCTION, TOP ENTRY
WITH STEEL DOUBLE LOCKING
OTHER SPEC REFER TO TYPE 3
类型4: 高结构, 顶出, 带彩锌双扣, 其它规格参照类型3

4X M3 THREAD
4X M3 螺纹孔

27
104

PG/M THREAD 1
PG/M 螺纹孔1

SCALE 3:5

TYPE 3: HIGH CONSTRUCTION, SIDE ENTRY
WITH STEEL DOUBLE LOCKING
类型3: 高结构, 侧出, 带彩锌双扣

PART NUMBER 料号	PART DESCRIPTION 描述	PG/M THREAD 1 PG/M 螺纹孔1	PG/M THREAD 2 PG/M 螺纹孔2	TYPE 类型
T1280242140-000	H10B-TGBH-M40 H24B HOOD, TOP ENTRY M40, METAL DOUBLE LOCKING, HIGH CONSTRUCTION, POWDER COATED, GREY H24B上壳, 顶出M40, 彩锌双扣, 高结构, 灰色粉末喷涂	-	M40	TYPE 4 类型4
T1280242132-000	H24B-TGBH-M32 H24B HOOD, TOP ENTRY M32, METAL DOUBLE LOCKING, HIGH CONSTRUCTION, POWDER COATED, GREY H24B上壳, 顶出M32, 彩锌双扣, 高结构, 灰色粉末喷涂	-	M32	
T1280242129-000	H24B-TGBH-PG29 H24B HOOD, TOP ENTRY PG29, METAL DOUBLE LOCKING, HIGH CONSTRUCTION, POWDER COATED, GREY H24B上壳, 顶出PG29, 彩锌双扣, 高结构, 灰色粉末喷涂	-	PG29	
T1280242125-000	H24B-TGBH-M25 H24B HOOD, TOP ENTRY M25, METAL DOUBLE LOCKING, HIGH CONSTRUCTION, POWDER COATED, GREY H24B上壳, 顶出M25, 彩锌双扣, 高结构, 灰色粉末喷涂	-	M25	
T1280242121-000	H24B-TGBH-PG21 H24B HOOD, TOP ENTRY PG21, METAL DOUBLE LOCKING, HIGH CONSTRUCTION, POWDER COATED, GREY H24B上壳, 顶出PG21, 彩锌双扣, 高结构, 灰色粉末喷涂	-	PG21	TYPE 3 类型3
T1270242140-000	H24B-TSBH-M40 H24B HOOD, SIDE ENTRY M40, METAL DOUBLE LOCKING, HIGH CONSTRUCTION, POWDER COATED, GREY H24B上壳, 侧出M40, 彩锌双扣, 高结构, 灰色粉末喷涂	M40	-	
T1270242132-000	H24B-TSBH-M32 H24B HOOD, SIDE ENTRY M32, METAL DOUBLE LOCKING, HIGH CONSTRUCTION, POWDER COATED, GREY H24B上壳, 侧出M32, 彩锌双扣, 高结构, 灰色粉末喷涂	M32	-	
T1270242129-000	H24B-TSBH-PG29 H24B HOOD, SIDE ENTRY PG29, METAL DOUBLE LOCKING, HIGH CONSTRUCTION, POWDER COATED, GREY H24B上壳, 侧出PG29, 彩锌双扣, 高结构, 灰色粉末喷涂	PG29	-	
T1270242121-000	H24B-TSBH-PG21 H24B HOOD, SIDE ENTRY PG21, METAL DOUBLE LOCKING, HIGH CONSTRUCTION, POWDER COATED, GREY H24B上壳, 侧出PG21, 彩锌双扣, 高结构, 灰色粉末喷涂	PG21	-	

THIS DRAWING IS A CONTROLLED DOCUMENT.		DWN DAVID.WANG 29MAY2015	TE Connectivity	
DIMENSIONS: mm		CHK CHRIS.WANG 29MAY2015		
TOLERANCES UNLESS OTHERWISE SPECIFIED:		APVD XIANG.XU 29MAY2015	NAME H24B-TSB/TGB/TSBH/TGBH-M/PG	
0 PLC ± 1 PLC ± 2 PLC ± 3 PLC ± 4 PLC ± ANGLES ±		PRODUCT SPEC 108-137013	SIZE A2	
MATERIAL		APPLICATION SPEC 114-137013	CAGE CODE 00779	DRAWING NO G-T12X024XXXX000
FINISH		WEIGHT	RESTRICTED TO	SCALE 1:1
		Customer Drawing	SHEET 2 OF 2	REV B

1471-9 (3/13)

Downloaded From Onevac.com

单击下面可查看定价，库存，交付和生命周期等信息

[>>TE Connectivity\(泰科\)](#)