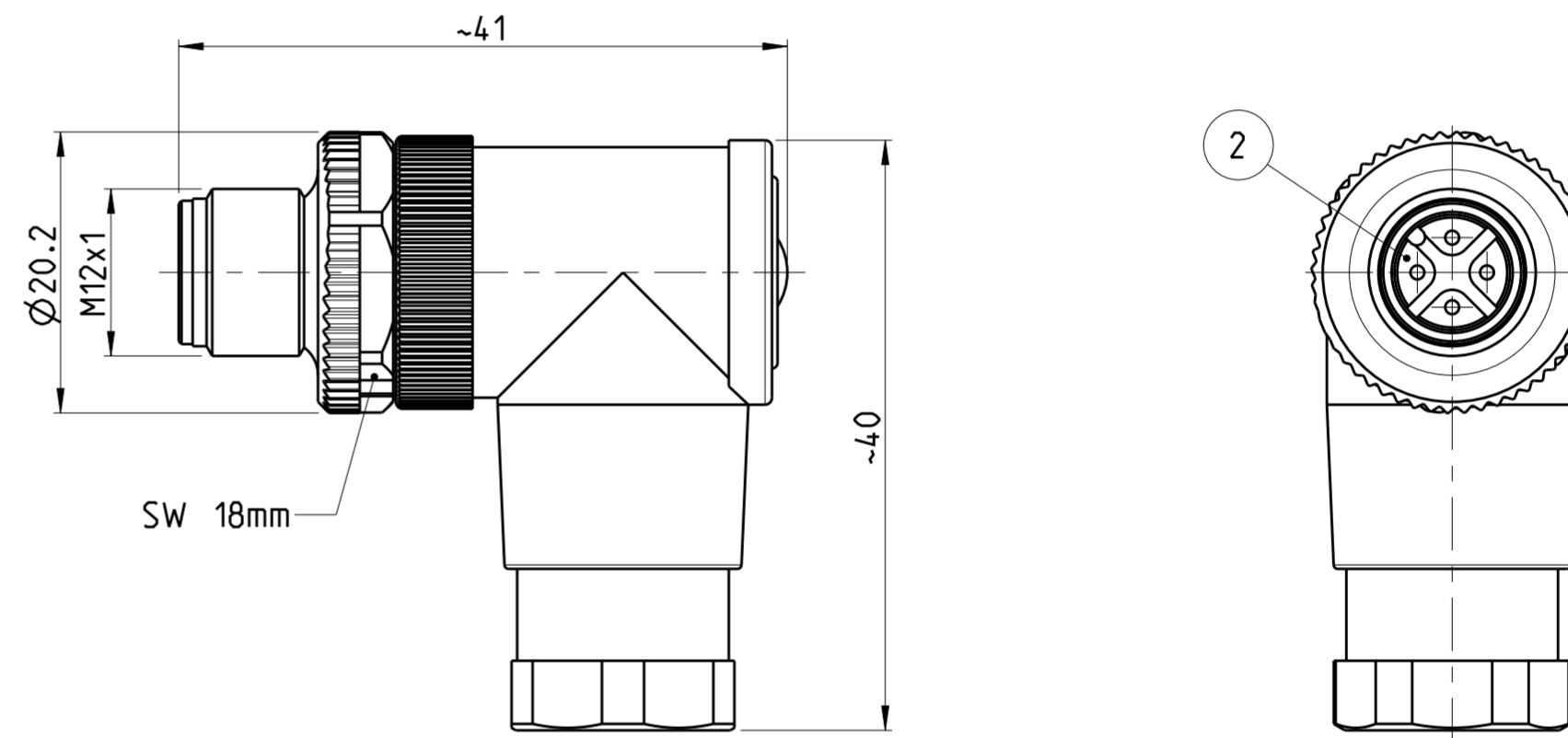


| P  | LTR | REVISIONS<br>ÄNDERUNGEN<br>DESCRIPTION<br>BESCHREIBUNG                | DATE      | DWN | APVD |
|----|-----|---|-----------|-----|------|
| A2 |     | DESCRIPTION CORRECTED FROM SOLDER TO SCREW TERMINAL IN TITLE BLOCK    | 13NOV2014 | CR  | JK   |
| A3 |     | WIRE SIZE 0.5mm <sup>2</sup> DETAIL ADDED TO PN 5-2271122-2 IN TABLE. | 17MAY2016 | TJ  | NG   |

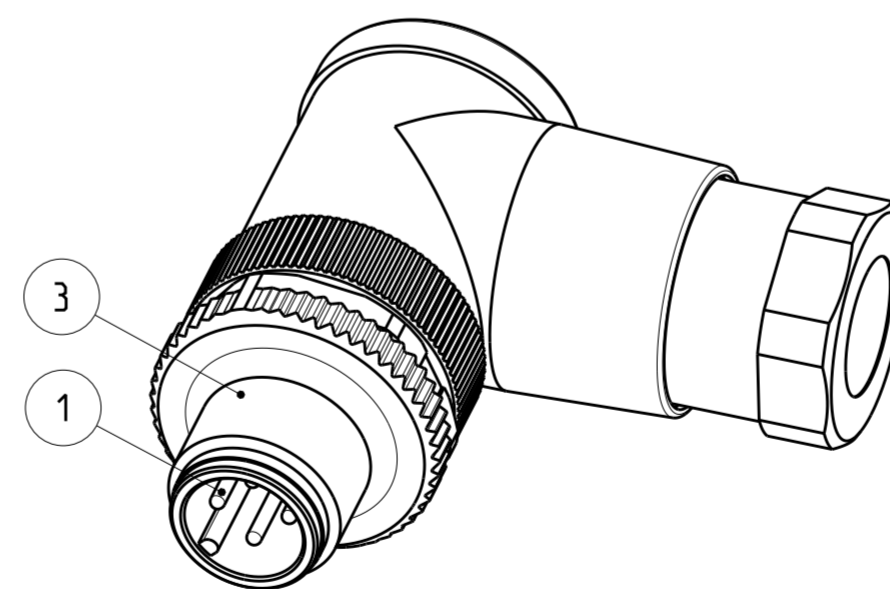
| TECHNICAL DATA        | 2-2271122-1 | 2-2271122-2 | 3-2271122-1 | 3-2271122-2 | 4-2271122-1 | 4-2271122-2 | 5-2271122-2 | 6-2271122-2 |
|-----------------------|-------------|-------------|-------------|-------------|-------------|-------------|-------------|-------------|
| RATED VOLTAGE         | 250V        | 250V        | 250V        | 250V        | 125V        | 125V        | 60V         | 30V         |
| RATED IMPULSE VOLTAGE | 2500V       | 2500V       | 2500V       | 2500V       | 1500V       | 1500V       | 800V        | 500V        |
| POLLUTION DEGREE      | 3           | 3           | 3           | 3           | 3           | 3           | 3           | 3           |
| OVERVOLTAGE CATEGORY  | II          | II          | II          | II          | II          | II          | II          | II          |
| MATERIAL GROUP        | II          | II          | II          | II          | II          | II          | II          | II          |
| RATED CURRENT         | 4A          | 4A          | 4A          | 4A          | 4A          | 4A          | 2A          | 2A          |
| VOLUME RESISTIVITY    | ≤ 8mΩ       | ≤ 8mΩ       | ≤ 8mΩ       | ≤ 8mΩ       | ≤ 8mΩ       | ≤ 8mΩ       | ≤ 3mΩ       | ≤ 3mΩ       |
| DEGREE OF PROTECTION  | IP67        | IP67        | IP67        | IP67        | IP67        | IP67        | IP67        | IP67        |
| UPPER TEMPERATURE     | +85 °C      | +85 °C      | +85 °C      | +85 °C      | +85 °C      | +85 °C      | +85 °C      | +85 °C      |
| LOWER TEMPERATURE     | -40 °C      | -40 °C      | -40 °C      | -40 °C      | -40 °C      | -40 °C      | -40 °C      | -40 °C      |

- 1 MATERIAL: ITEM NO. 1: HOUSING - PBT  
ITEM NO. 2: CONTACT BODY - PA  
ITEM NO. 3: CONTACT - CuZn (brass)
- 2 CONTACT FINISH - CuSnZn (Optalloy)
- 3 CONTACT FINISH - Au (gold)
- 4 ALL DIMENSIONS ARE FOR NOMINAL REFERENCE ONLY UNLESS OTHERWISE STATED
- 5 MEASUREMENT REFERENCE ONLY
- 6 PACKAGING: 1 PIECE IN A BAG



PIN ARRANGEMENT  
A-CODING (SCALE 2:1)

| 2-2271122-1 | 2-2271122-2 | 3-2271122-1 | 3-2271122-2 |
|-------------|-------------|-------------|-------------|
|             |             |             |             |
| 4-2271122-1 | 4-2271122-2 | 5-2271122-2 | 6-2271122-2 |
|             |             |             |             |



| CABLE FEED-THROUGH<br>mm | WIRES<br>AWG / mm <sup>2</sup> | MATERIAL | NUMBER OF POLES | TE-PART-NO. |
|--------------------------|--------------------------------|----------|-----------------|-------------|
| 6-8                      | 24 / 0.25mm <sup>2</sup>       | 1 3      | 12              | 6-2271122-2 |
| 6-8                      | 20 / 0.5mm <sup>2</sup>        | 1 3      | 8               | 5-2271122-2 |
| 6-8                      | 18 / 0.75mm <sup>2</sup>       | 1 2      | 5               | 4-2271122-2 |
| 4-6                      | 18 / 0.75mm <sup>2</sup>       | 1 2      | 5               | 4-2271122-1 |
| 6-8                      | 18 / 0.75mm <sup>2</sup>       | 1 2      | 4               | 3-2271122-2 |
| 4-6                      | 18 / 0.75mm <sup>2</sup>       | 1 2      | 4               | 3-2271122-1 |
| 6-8                      | 18 / 0.75mm <sup>2</sup>       | 1 2      | 3               | 2-2271122-2 |
| 4-6                      | 18 / 0.75mm <sup>2</sup>       | 1 2      | 3               | 2-2271122-1 |

3-2 AS SHOWN  
WIE GEZEICHNET

SIZE ISO 14405 (E)

DIESE ZEICHNUNG IST EIN KONTROLLIERTES DOKUMENT. BEMASSUNGEN UND TOLERANZEN GEMAESS GPS (ISO STANDARDS).

THIS DRAWING IS A CONTROLLED DOCUMENT. DIMENSIONING AND TOLERANCING PER GPS (ISO STANDARDS).

|                                 |  |  |
|---------------------------------|--|--|
| DIMENSIONS: MASSEINHEITEN: (mm) | TOLERANCES UNLESS OTHERWISE SPECIFIED: ALLGEMEINTOLERANZEN | DWN YASHKUMAR 15APR2014  |
|                                 |  | CHK M.STRELOW 15APR2014  |
|                                 |  | APVD C.SCHREITLINGER 15APR2014   |
|                                 |  | NAME M12 MALE 90 DEG ANGLED FIELD INSTALLABLE, UNSHIELDED CONNECTOR, SCREW TERMINALS, A-CODING |
| MATERIAL                        |  | PRODUCT SPEC 108-19483   |
|                                 |  | APPLICATION SPEC 114-32127   |
|                                 |  | WEIGHT   |
|                                 |  | Customer Drawing   |

|                            |                       |
|----------------------------|-----------------------|
| <b>STE</b> TE Connectivity |                       |
| SIZE A2                    | CAGE CODE 00779       |
| DRAWING NO. C-2271122      | RESTRICTED TO NUR FÜR |
| SCALE MASSSTAB 2:1         | SHEET BLATT 1 OF 1    |
| REV A3                     |                       |

单击下面可查看定价，库存，交付和生命周期等信息

[>>TE Connectivity\(泰科\)](#)