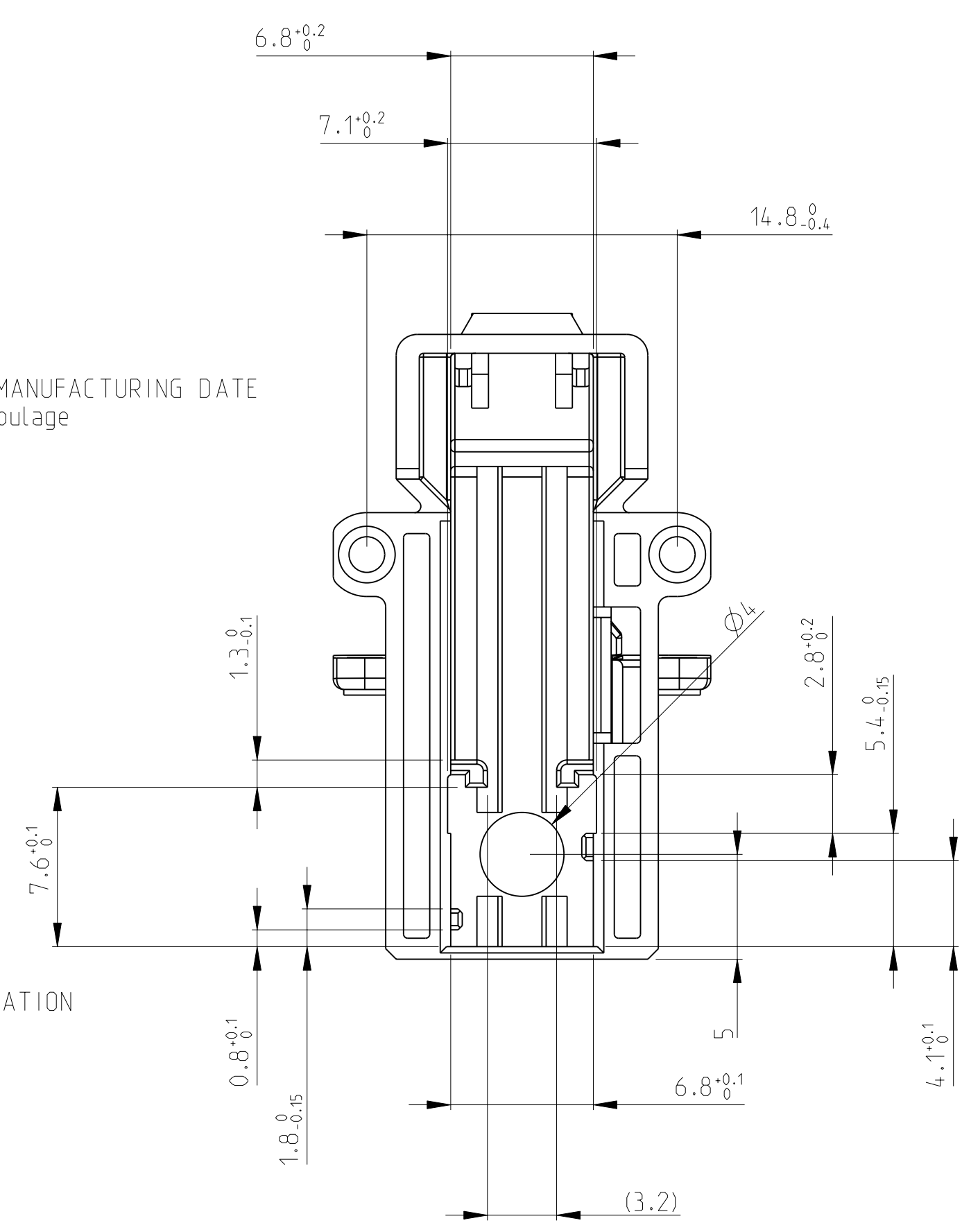
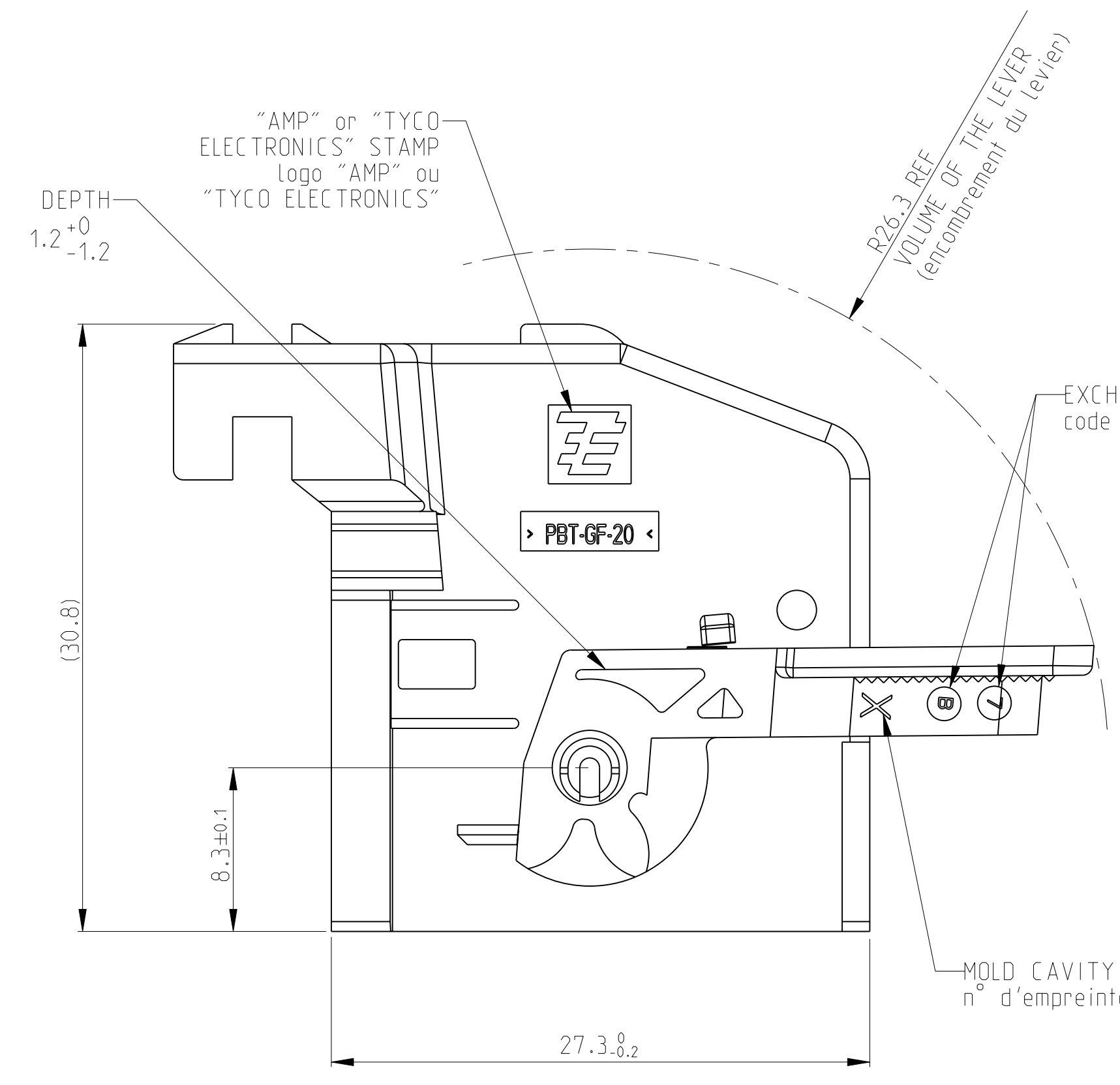
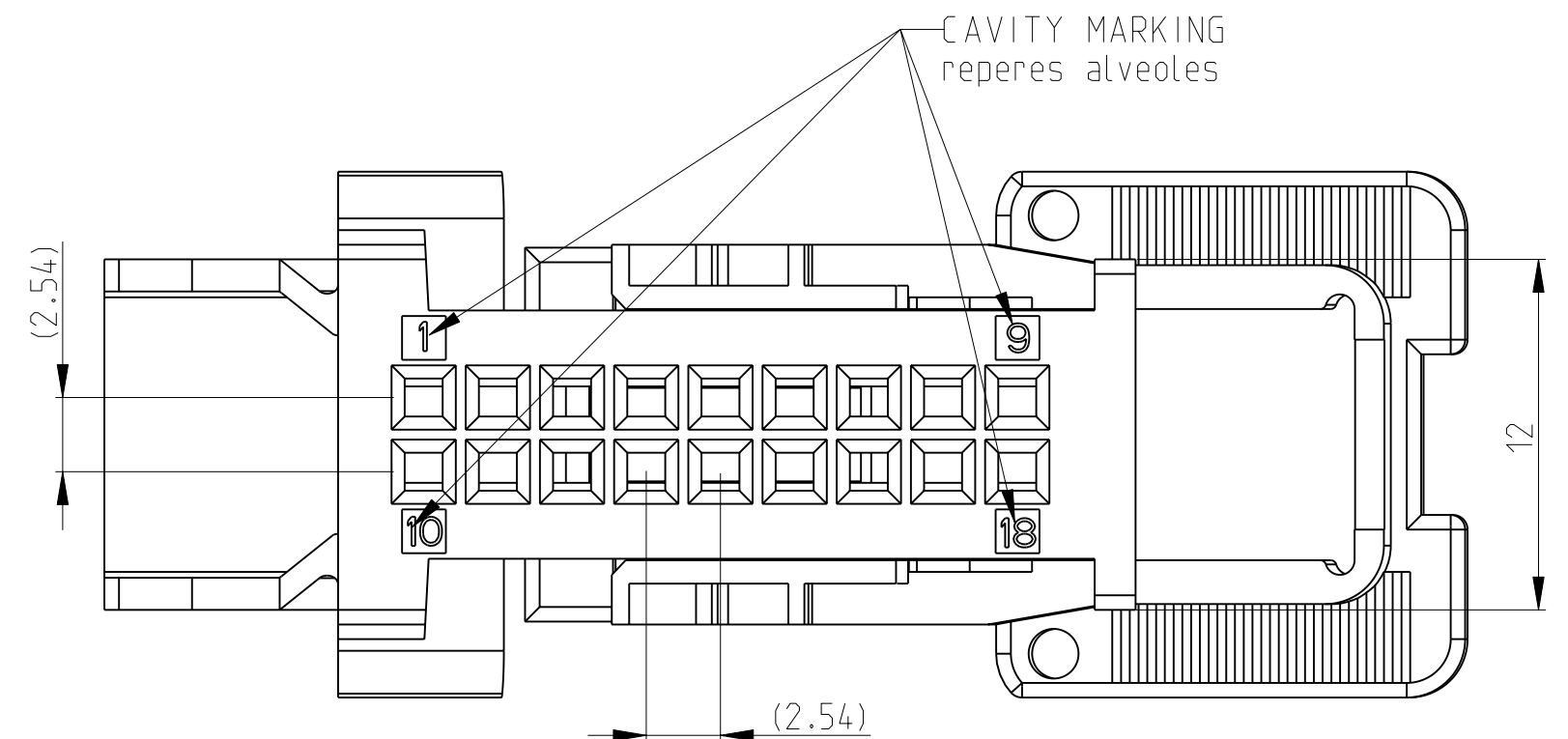


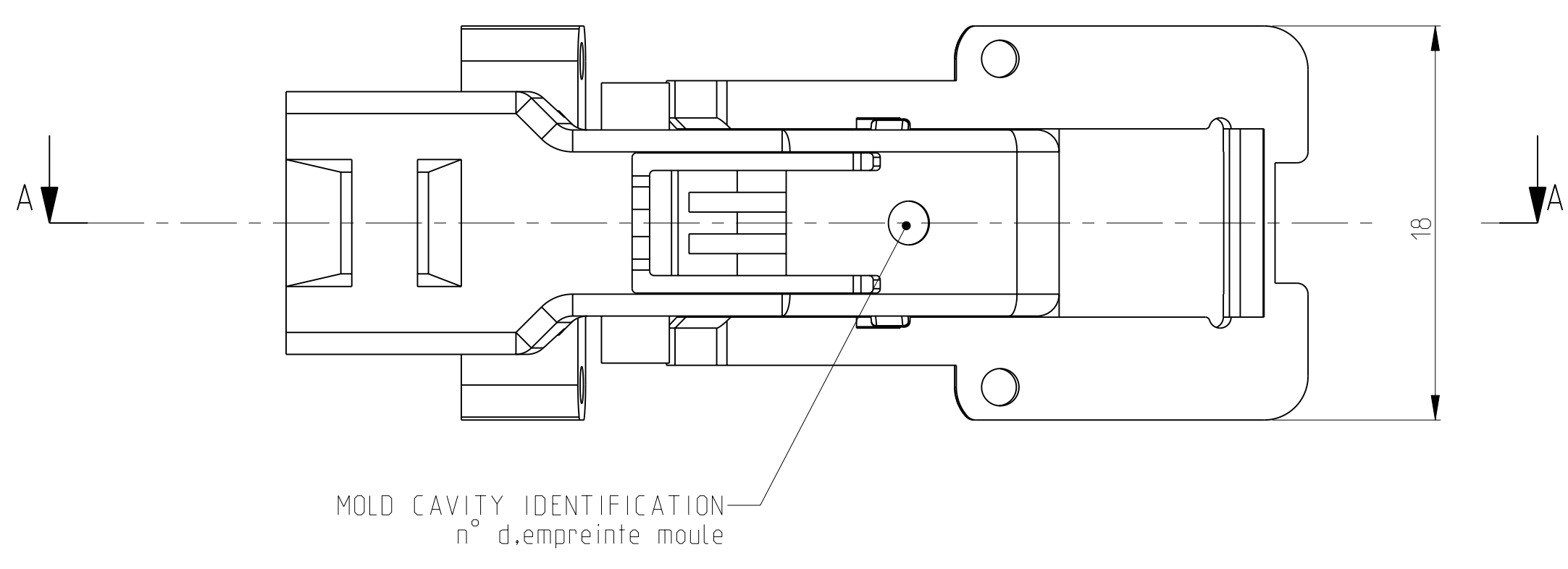
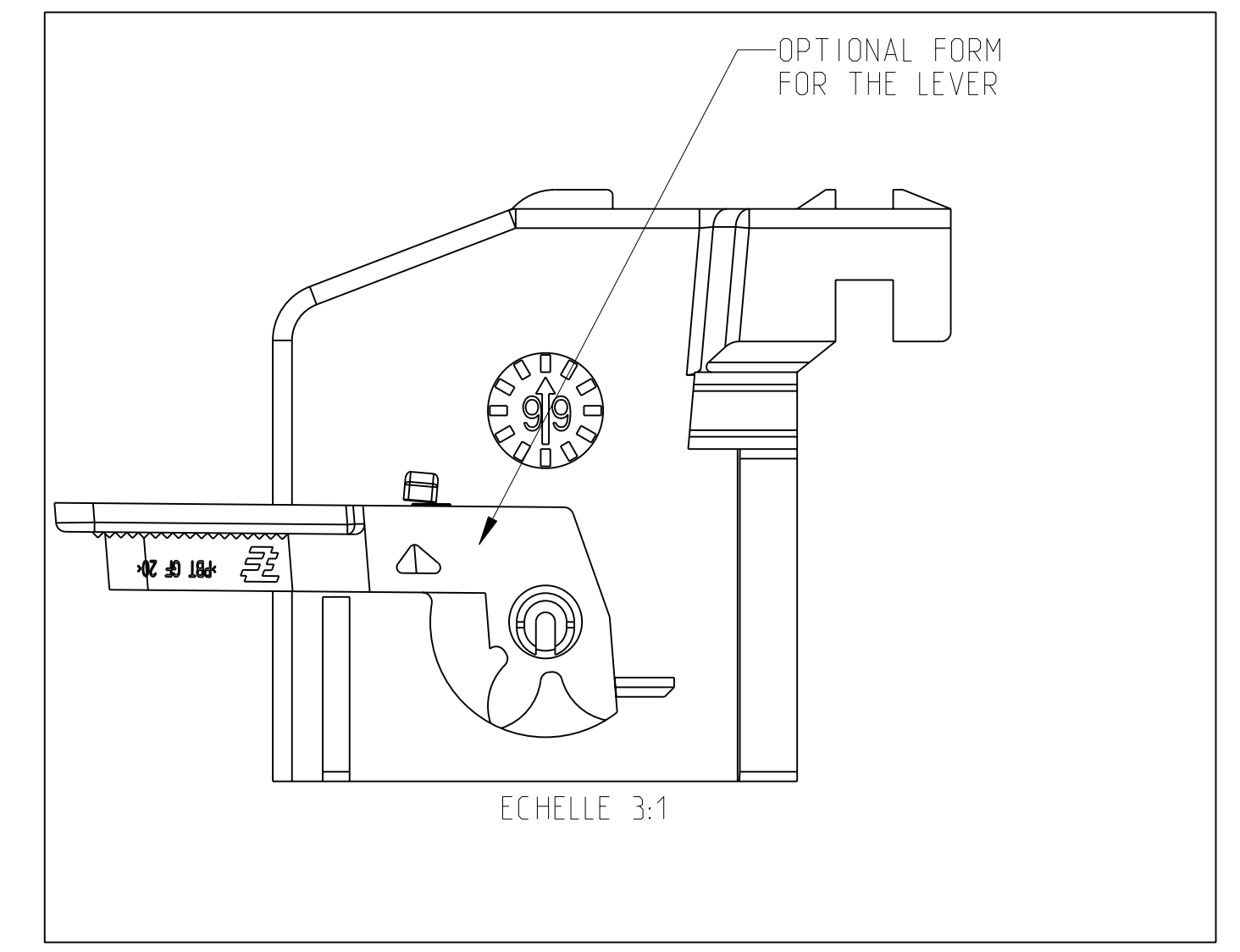
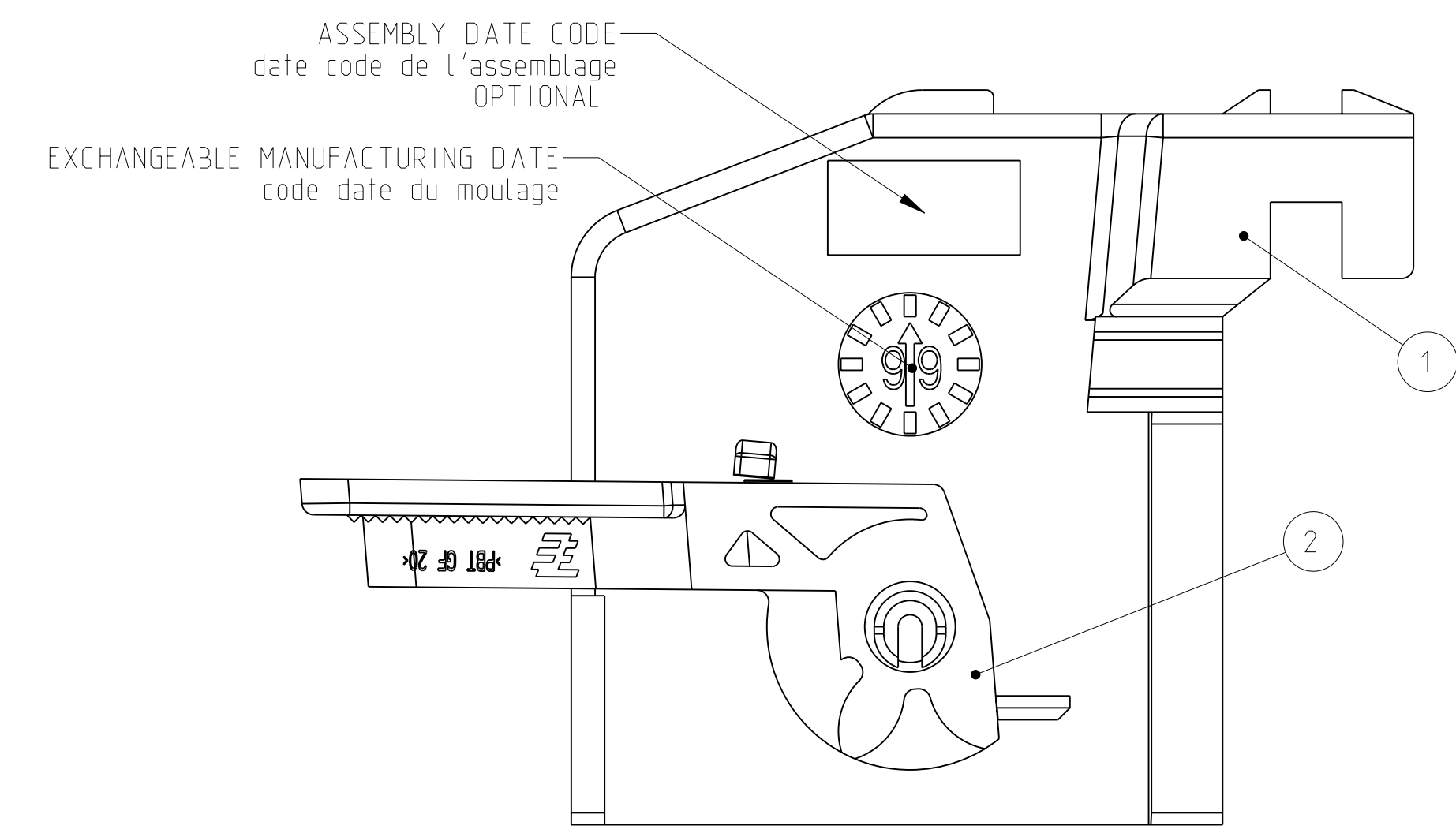
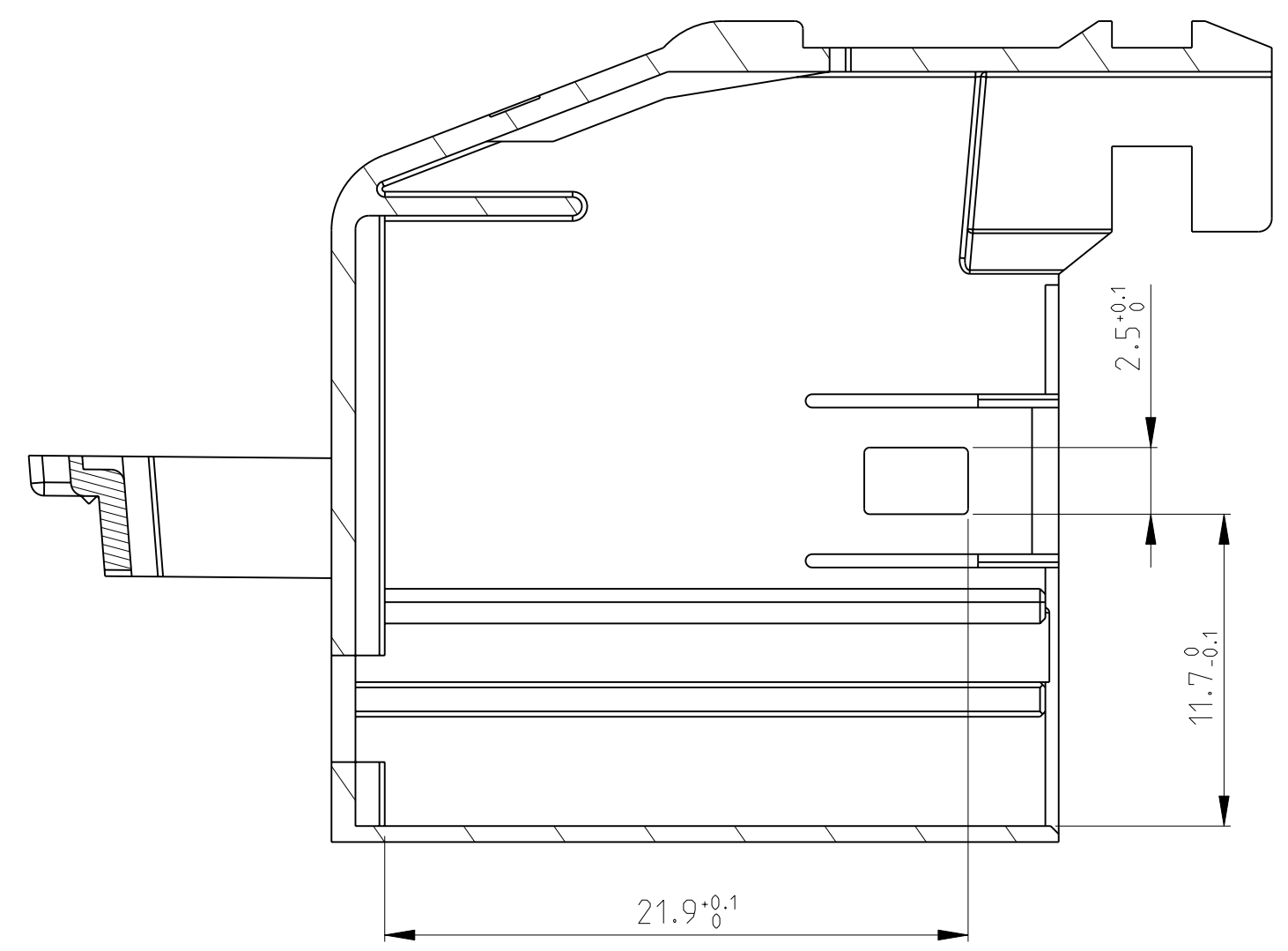
LOC	DIST	REVISIONS				
F	00	REV	DESCRIPTION	DATE	OWN	APP
		F	NOTES CORRECTIONS	09DEC2010	VB	XR

**NOTES**

1. GENERAL MQS TERMINAL PN 928999-x/963715-x  
PIECE A UTILISER AVEC CLIP MQS REF: VOIR CI-DESSUS (F)
2. TE INTERFACE DRAWING: 1801400  
PLAN D'INTERFACE: VOIR CI-DESSUS (F)

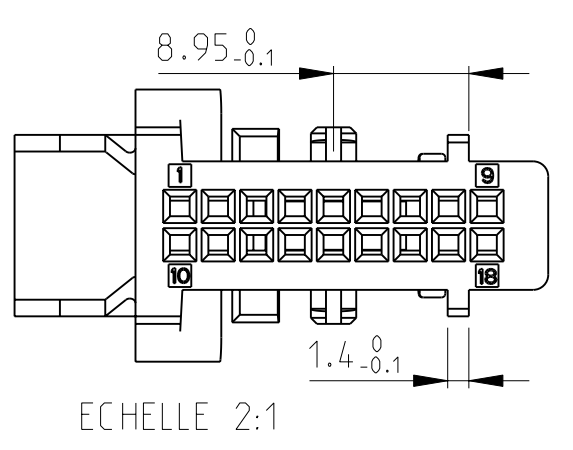
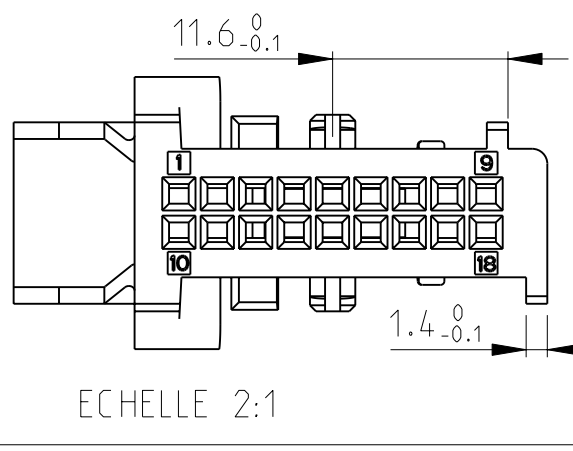
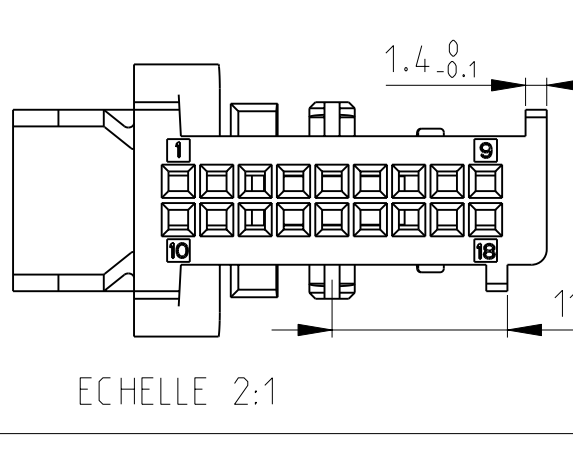
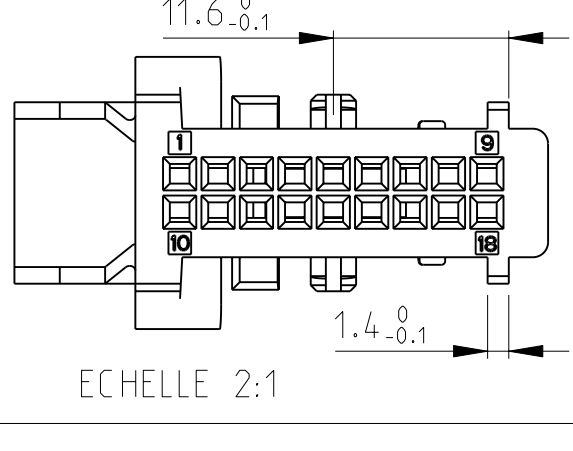
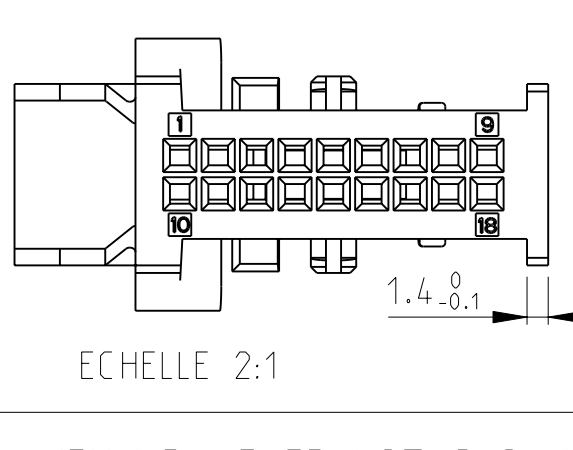


COUPE A-A



DIMENSIONS: mm TOLERANCES UNLESS OTHERWISE SPECIFIED: 1. PLC / DEC ±0.2 2. PLC / DEC ±0.15 3. PLC / DEC ±0.1		TOLERANCES UNLESS OTHERWISE SPECIFIED: 1. ANGLES ±5° 2. FINISH/PINION - 3. MATERIAL/MATIERE SET TABLE		DWN/DRESSURE: 10MAY2000 M. POLIFONTE CHK/REVIERIE: 10MAY2000 J. LALANGE APVD/APPROUVE: 10MAY2000 J. J. REVILL PRODUCT SPEC: 108-15262-1 SPEC. APPLICATION: - APPLICATION SPEC: - SPEC. APPLICATION: -		NAME: SHIELD MQS 18 POS 90 DEG GENE II TYPE: PORTE-MODULE 18 VOIES MQS 90 DEG SIZE: A1 CAGE CODE: 00779 DRAWING NO: 1379101 CUSTOMER DRAWING / PLAN CLIENT		Tyco Electronics France SAS 95300 Pontoise, France DATE: 09DEC2010 DWN DESS: VB APP: XR SCALE: 1:1 SHEET: 1 OF 2 REV: F	
--	--	--	--	--	--	---	--	--	--

LOC	DIST	REVISIONS					
F	00	P	LTB REV	DESCRIPTION MODIFICATIONS	DATE	DWN DESS.	APVD APP.
		-		SEE SHEET 1		-	-

LEVER levier	2	1	PBT GF 20%	1379101-5	BLACK noir	
SHIELD capot	1	1	PBT GF 20%		GREEN vert	
LEVER levier	2	1	PBT GF 20%	1379101-4	BLACK noir	
SHIELD capot	1	1	PBT GF 20%		BROWN marron	
LEVER levier	2	1	PBT GF 20%	1379101-3	BLACK noir	
SHIELD capot	1	1	PBT GF 20%		BLUE bleu	
LEVER levier	2	1	PBT GF 20%	1379101-2	BLACK noir	
SHIELD capot	1	1	PBT GF 20%		WHITE blanc	
LEVER levier	2	1	PBT GF 20%	1379101-1	BLACK noir	
SHIELD capot	1	1	PBT GF 20%		BLACK noir	
DESCRIPTION designation	ITEM rep.	QTY qte	MATERIAL matiere	TE PN ref TE	COLOR couleur	KEYING (LEVER NOT SHOWN) detrompage (levier non représenté)

<small>THIS DRAWING IS UNPUBLISHED. RELEASED FOR PUBLICATION 1988 A LA DIFFUSION. DIVISION RESISTENTE AMP BY TYCO ELECTRONICS CORPORATION. ALL RIGHTS RESERVED. THIS RIGHTS RESERVED.</small>		DWN/DESINE: M.POLIFONTE 10MAY2000 CHK/VERIFIE: J.J.LALANGE 10MAY2000 APVD/APPROUVE: J.J.LALANGE 10MAY2000		Tyco Electronics France SAS 95300 Pontoise, France	
DIMENSIONS: mm		TOLERANCES UNLESS OTHERWISE SPECIFIED: DIMENSIONS: mm, SPECIFIERS:		NAME: SHIELD MQS 18 POS 90 DEG GENE II PORTE-MODULE 18 VOIES MQS 90 DEG	
MATERIAL/MATIERE: SET TABLE		FINISH/FINITION: #5*		WEIGHT/MASSE APPROX.: 5g CUSTOMER DRAWING /PLAN CLIENT	
PRODUCT SPEC: 10B-95262-1 APPLICATION SPEC:		SIZE/FORMAT: A1 CAGE CODE: 00779 DRAWING NO: 1379101		RESTRICTED TO RESERVE A: - SCALE: 3:1 SHEET: 2 OF 2 REV: F	

单击下面可查看定价，库存，交付和生命周期等信息

[>>TE Connectivity\(泰科\)](#)