

4

3

2

1

THIS DRAWING IS UNPUBLISHED.

RELEASED FOR PUBLICATION

.20

© COPYRIGHT 19

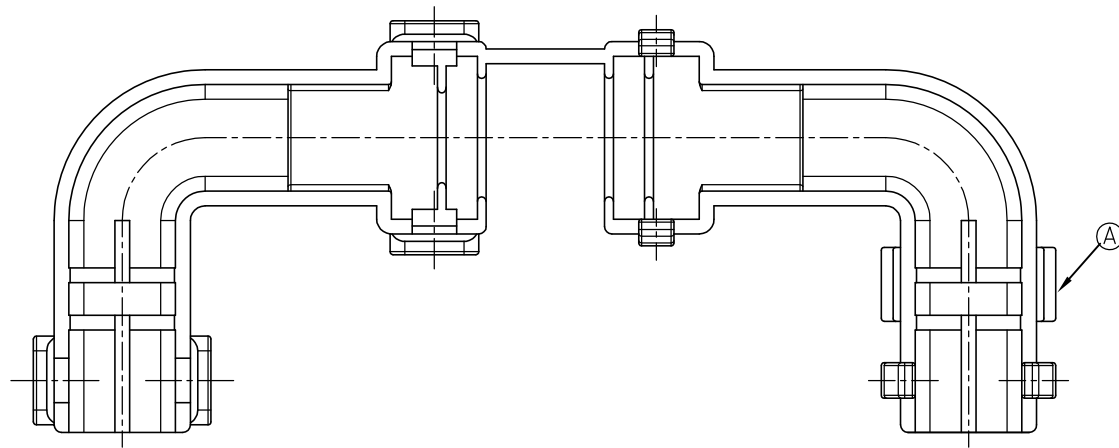
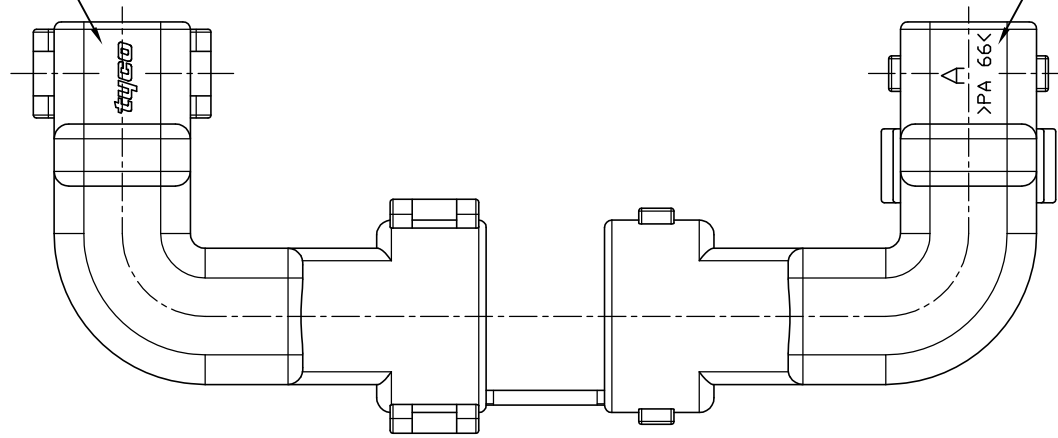
BY AMP INCORPORATED. ALL RIGHTS RESERVED.

LOC	DIST	REVISIONS					
		P	LTR	DESCRIPTION	DATE	DWN	APVD
DS	—	0		RELEASED (FC00-0016-03)	04/FEB/'03	YD	CS
		A		REVISED (ECR-10-014221)	22/DEC/'10	SJ	HG

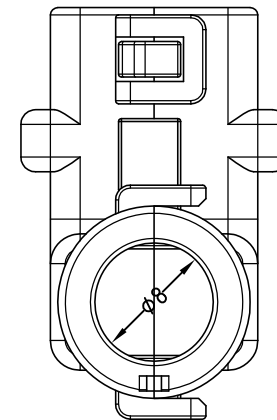
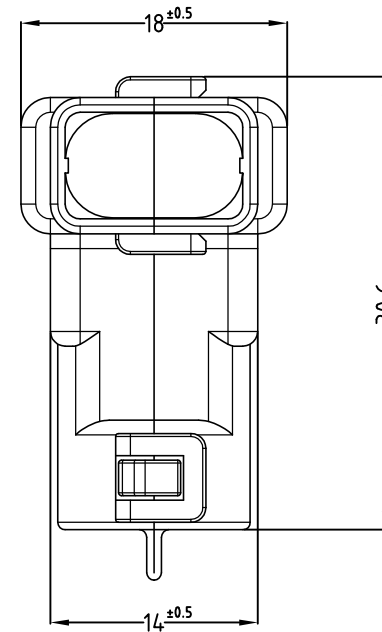
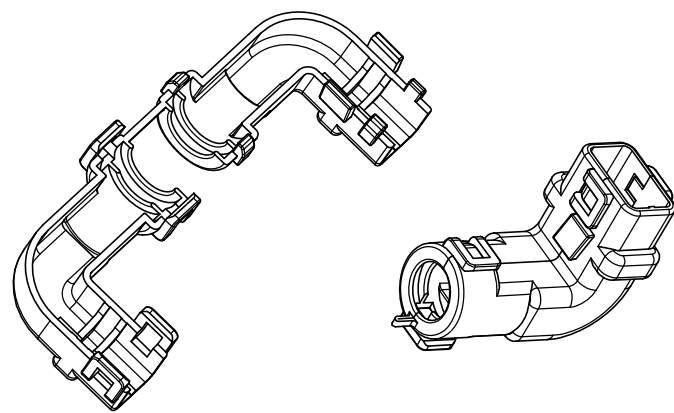
TE LOGO

BEFORE ASS'Y

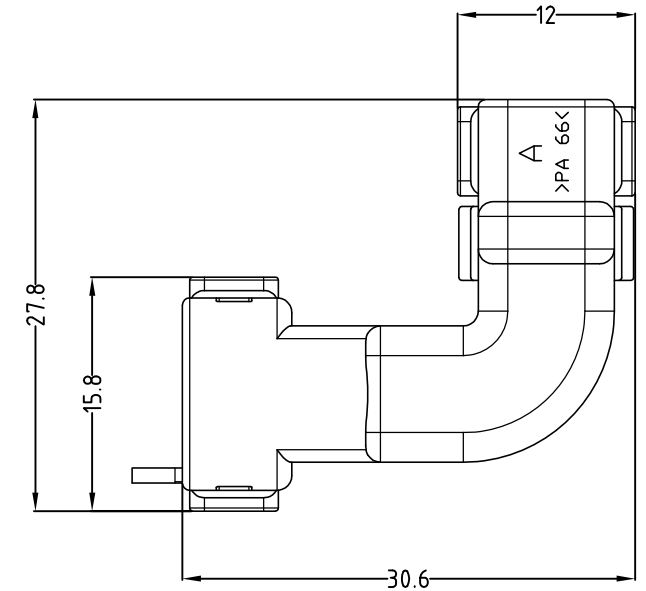
CAVITY & MAT'L



3D VIEW



AFTER ASS'Y



NOTE

1. APPLICABLE CORRUGATOR DIAMETER :  $\phi 7.0$
2. APPLICABLE JPT 2P ASS'Y P.NO : 368354

DIMENSIONS: MM		TOLERANCES UNLESS OTHERWISE SPECIFIED:		DWN : SJ CHOI		MATERIAL		PART NUMBER		COLOR	
3rd ANGLE PROJECTION		0 <XX<10 ± 0.2		CHK : JW JUNG		PA 66		936458-2		BLACK	
		10<XX<30 ± 0.25		APVD : HG CHO		Tyco Electronics		Tyco Electronics kyungsan, korea			
		30<XX ± 0.3		PRODUCT SPEC		NAME					
		ANGLES ± 3°		APPLICATION SPEC		COVER HSG FOR JPT 2P ASS'Y					
MATERIAL		FINISH		WEIGHT		SIZE		CAGE CODE		DRAWING NO	
				2.3 g		A3		00779		© 936458	
						SCALE		SHEET		REV	
						2/1		1 OF 1		A	

单击下面可查看定价，库存，交付和生命周期等信息

[>>TE Connectivity\(泰科\)](#)