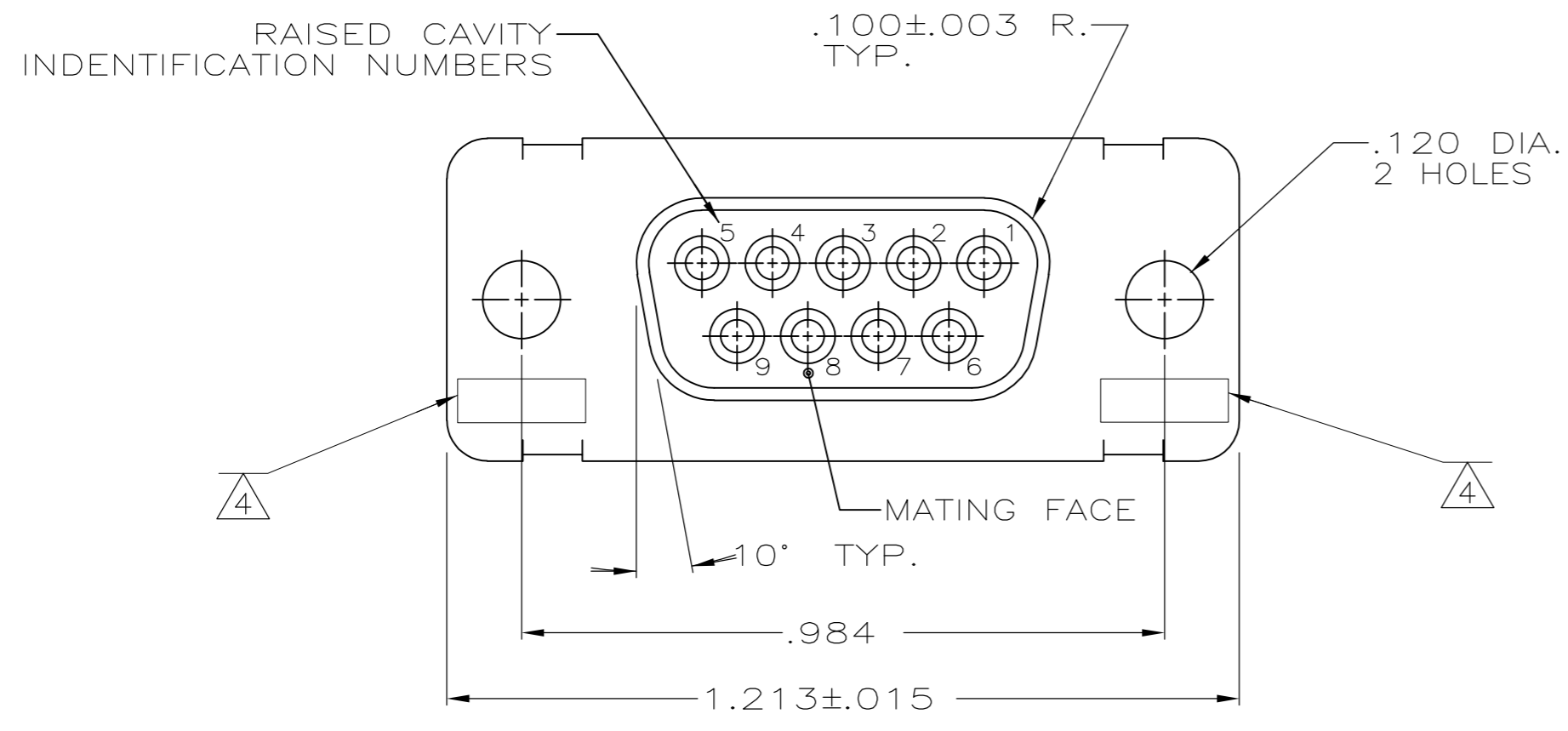
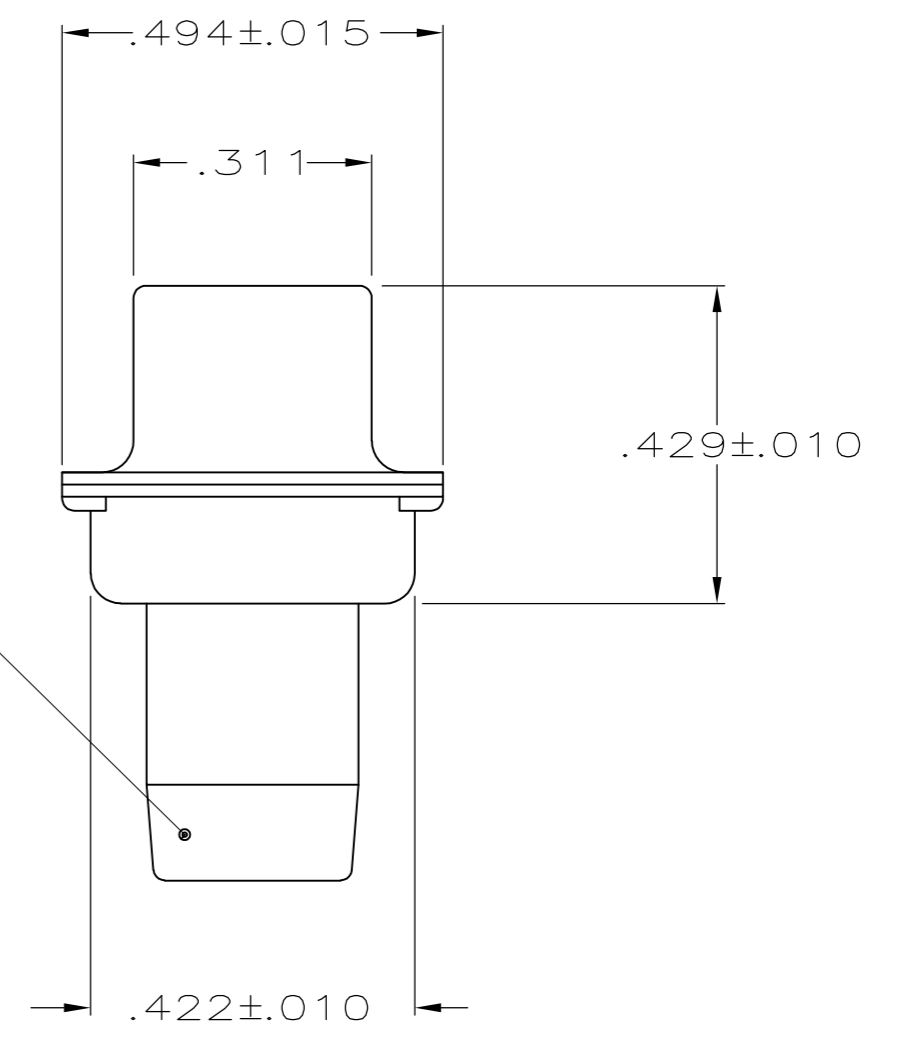
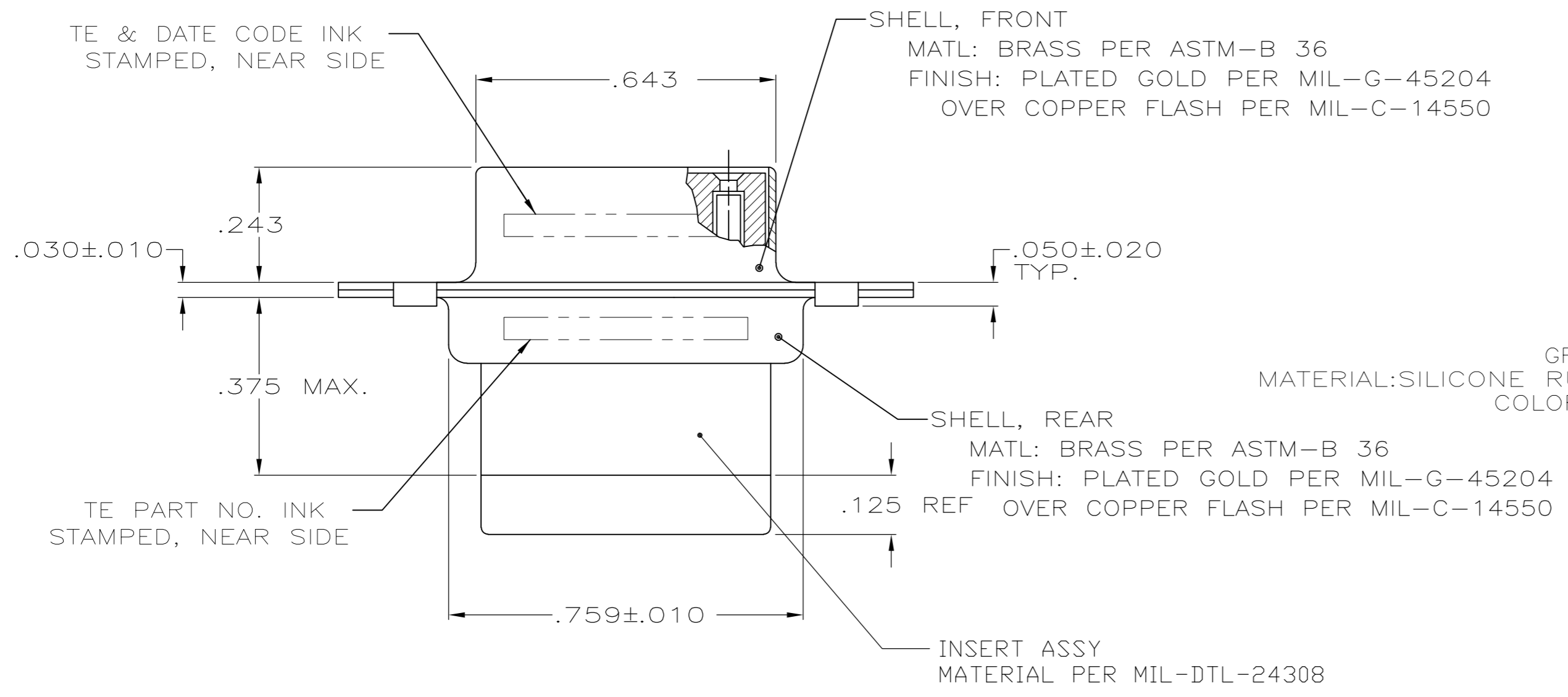


THIS DRAWING IS UNPUBLISHED. RELEASED FOR PUBLICATION  
 © COPYRIGHT - By - ALL RIGHTS RESERVED.

LOC		DIST		REVISIONS			
P	LTR	DESCRIPTION	DATE	DWN	APVD		
	C	REV PER ECO-15-013283	22OCT15	KG	CD		



1. THIS RECEPTACLE IS DESIGNED TO CONFORM TO THE LATEST ISSUE OF MIL-C-24308 EXCEPT CONTACT INSERTION FORCE WILL BE 6 lb. MAX. INSTEAD OF 3 lb. MAX. AS SPECIFIED IN MIL-C-24308, 3.5.3.
  2. MAXIMUM WIRE INSULATION USED WITH THIS RECEPTACLE IS .068 DIA. MAX.
  3. BE-CU RETENTION CLIPS ARE INCLUDED IN INSERTS.
- △ UL/CSA DESIGNATION STAMPED IN THIS AREA.



445106-1  
 PART NUMBER

THIS DRAWING IS A CONTROLLED DOCUMENT.		DWN T.SHUEY 11-6-87	TE Connectivity	
DIMENSIONS: INCHES		CHK F.C.BALLEW III 11-18-87		
TOLERANCES UNLESS OTHERWISE SPECIFIED:		APVD D.J.M. 11-18-87	NAME	
0 PLC ± - 1 PLC ± - 2 PLC ± - 3 PLC ± .005 4 PLC ± - ANGLES ± 0'30"		PRODUCT SPEC	RECEPTACLE FOR SOCKET CONTACTS, HI-DENSITY HD-20 CONNECTOR, SIZE 1,9 POSN.,NON-MAG.,SPCL	
MATERIAL SEE CALLOUTS		FINISH SEE CALLOUTS	SIZE A2	CAGE CODE 00779
		WEIGHT -	DRAWING NO. C=445106	RESTRICTED TO -
		CUSTOMER DRAWING	SCALE 4:1	SHEET 1 of 1
				REV C

单击下面可查看定价，库存，交付和生命周期等信息

[>>TE Connectivity\(泰科\)](#)