

CODE 41 - BRAID TAIL BACKSHELL

204M016-19B08

SERIES _____
 ORDER NUMBER (TABLE 1) _____
 MATERIAL _____
 REFER TO CH00-0250-004
 FINISH _____
 REFER TO CH00-0250-004
 ENTRY SIZE (TABLE 2) _____
 MODIFICATION CODE _____
 REFER TO CH00-0250-004 (2)

NOTES:

- THIS PRODUCT IS DESIGNED TO TERMINATE A HEAT SHRINKABLE LIPPED BOOT TO A CONNECTOR.
- (2) FOR ADDITIONAL DIMENSIONS, ORDERING INFORMATION AND MODIFICATIONS, SEE CH00-0250-004
- BACKSHELL TO BE PERMANENTLY MARKED/BAGGED AND LABELLED WITH CODE IDENTIFICATION NUMBER AND PART NUMBER. (e.g. 06090-204M012-19B08).
- (4) WHEN ENTRY SIZE EXCEEDS "MAX ENTRY", A 2 PIECE BACKSHELL (TYPE 2) IS SUPPLIED.
- BRAID TERMINATION RING MAY BE SUPPLIED AS TINEL-LOCK SHAPE MEMORY RING AT MANUFACTURERS OPTION.
- BACKSHELL MATES TO MIL-DTL-38999 SERIES I & II, CLASS E & T, MS27466, MS27467, MS27468, MS27472, MS27473, MS27474, MS27479, MS27480, MS27481, MS27484, MS27497, MS27652, MS27653, MS27654, MS27656 CONNECTORS.

DRAWN	K.WINCZURA	DATE	17/04/2015	 3RD ANGLE PROJECTION NOT TO SCALE	TITLE: BRAID TAIL BACKSHELL	 Polanco 
CHECKED		17/04/2015				
APPROVED	K.SHEPPARD	27/04/2015	UNLESS OTHERWISE SPECIFIED ALL DIMENSIONS IN MILLIMETRES GENERAL TOL LINEAR +/-0.25MM ANGULAR +/- 1°			
APPROVED	H.SMITH	01/09/2015				
REVISIONS					ASSY USED ON: MIL-DTL-38999 SERIES I & II	
LTR	DESCRIPTION	DATE	APPROVED			
M	REVISED PER ECN AD930					
N	REVISED PER ECO-15-012000	01/09/2015	H.SMITH			
TE CAGE CODE: 06090 POLAMCO/TE CAGE CODE: U5792					TE CONNECTIVITY - POLAMCO LTD RESERVES THE RIGHT TO AMEND THIS DRAWING AND TO INDEPE	SHOULD IN THEIR APPLICATION.
					Downloaded From Oneyac.com	DRAWING NO: 204M0XX
					DRAWING REV: N	SHT 1

IF MAX ENTRY IS EXCEEDED BACKSHELL
WILL BE SUPPLIED AS TYPE 2

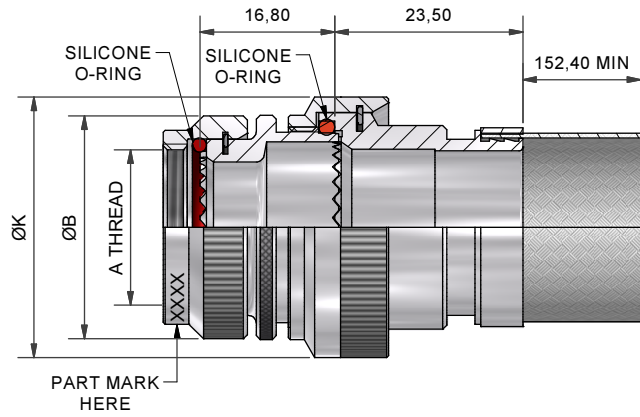
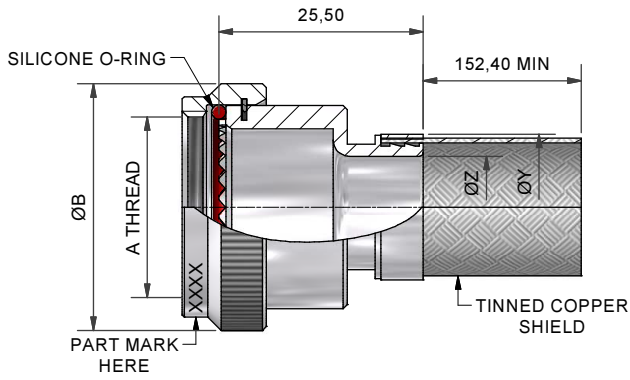


TABLE 1

ORDER NUMBER	SHELL SIZE SER 1 / SER 2	A THREAD	ØB MAX	MAX ENTRY
08	09 / 08	7/16-28UNEF	18,3	04
10	11 / 10	9/16-24UNEF	21,5	06
12	13 / 12	11/16-24UNEF	24,5	08
14	15 / 14	13/16-20UNEF	27,8	10
16	17 / 16	15/16-20UNEF	30,8	12
18	19 / 18	1 1/16-18UNEF	34,1	13
20	21 / 20	1 3/16-18UNEF	37,3	15
22	23 / 22	1 5/16-18UNEF	40,5	17
24	25 / 24	1 7/16-18UNEF	43,7	18

TABLE 2

ENTRY SIZE	ØK MAX	ØZ REF	ØY REF
03	NA	4,77	13,1
04	NA	6,35	13,1
05	21,0	7,92	13,1
06	21,0	9,52	17,9
07	21,0	11,12	17,9
08	24,5	12,70	17,9
09	24,5	14,27	17,9
10	29,0	15,87	24,2
11	32,5	17,47	24,2
12	32,5	19,05	24,2
13	35,5	20,62	24,2
14	35,5	22,23	30,6
15	37,0	23,82	30,6
16	37,0	25,40	30,6
17	40,0	26,98	33,2
18	40,0	28,60	33,2
20	43,5	31,80	42,0
21	48,5	33,34	42,0
22	48,5	35,00	42,0
24	52,1	38,10	42,0
28	58,5	44,45	49,0

LTR	DESCRIPTION	DATE	APPROVED
M	REVISED PER ECN AD930		
N	REVISED PER ECO-15-012000	01/09/2015	H.SMITH

TITLE:
BRAID TAIL BACKSHELL

ASSY USED ON:
MIL-DTL-38999 SERIES I & II



TE CAGE CODE: 06090
POLAMCO/TE CAGE CODE: U5792

TE CONNECTIVITY - POLAMCO LTD RESERVES THE RIGHT TO AMEND THIS DRAWING AND TO INDEP... SHOULD IN THEIR APPLICATION.

DRAWING NO:
204M0XX

DRAWING REV:
N

SHT
2

单击下面可查看定价，库存，交付和生命周期等信息

[>>TE Connectivity\(泰科\)](#)