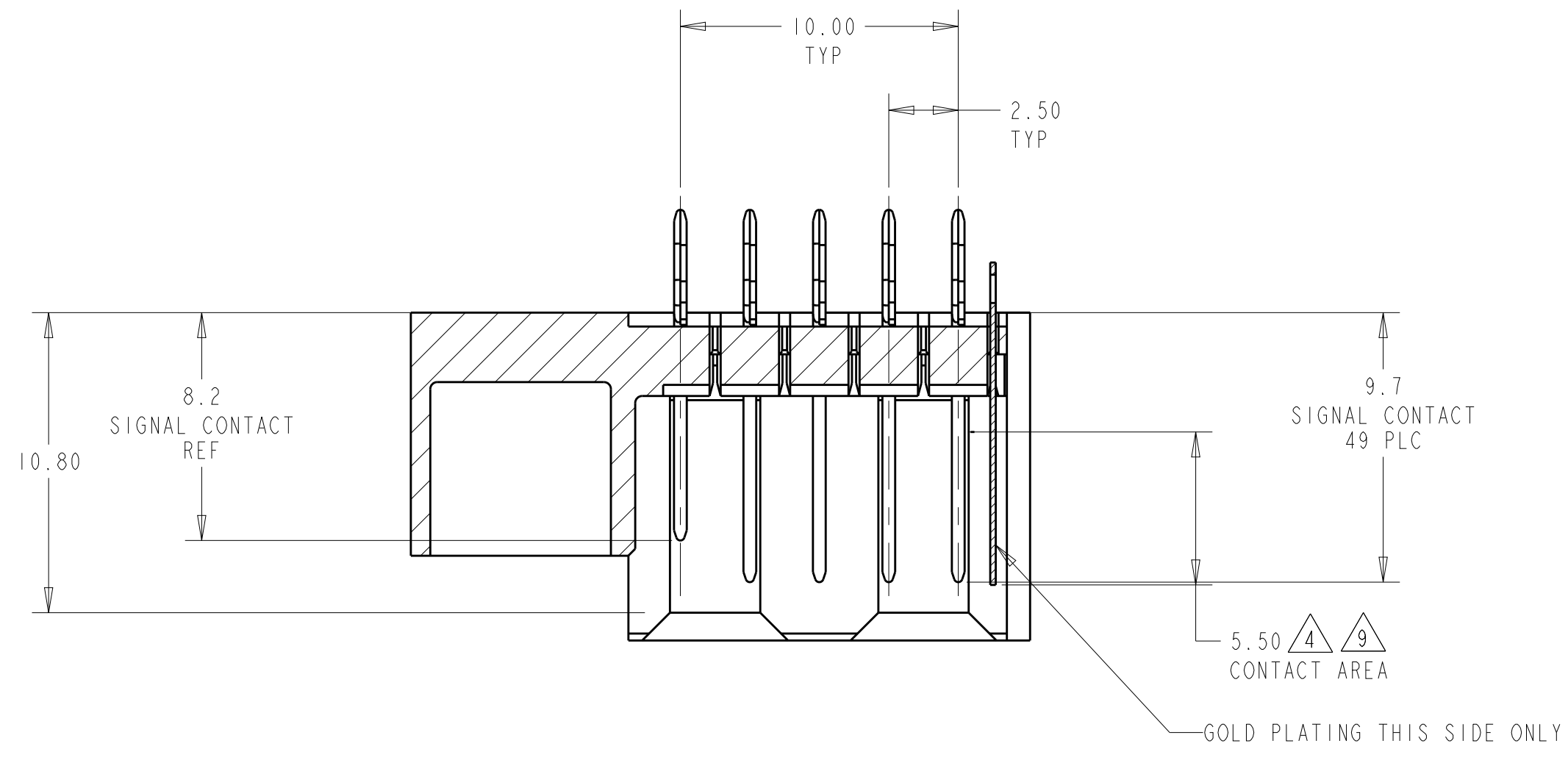
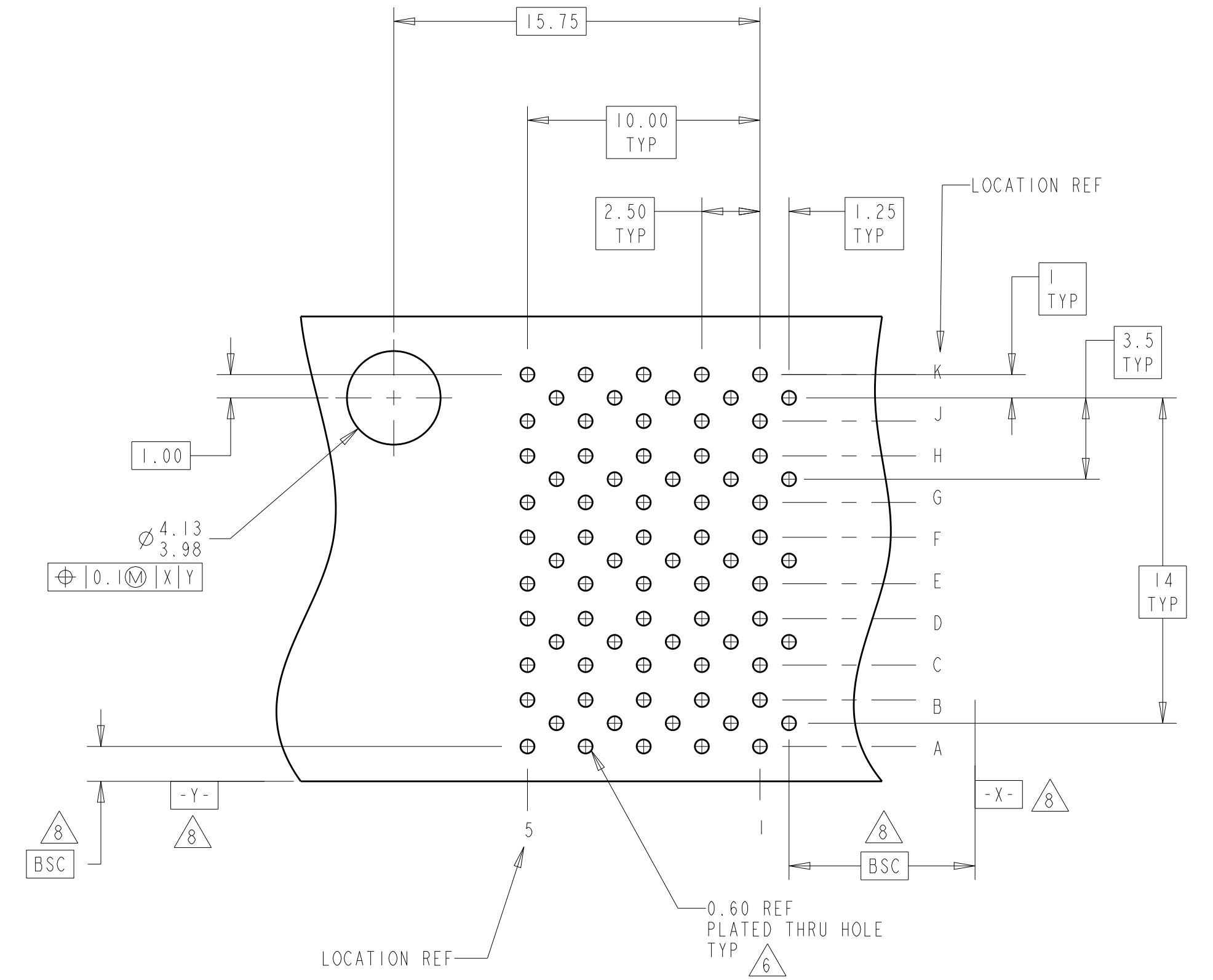
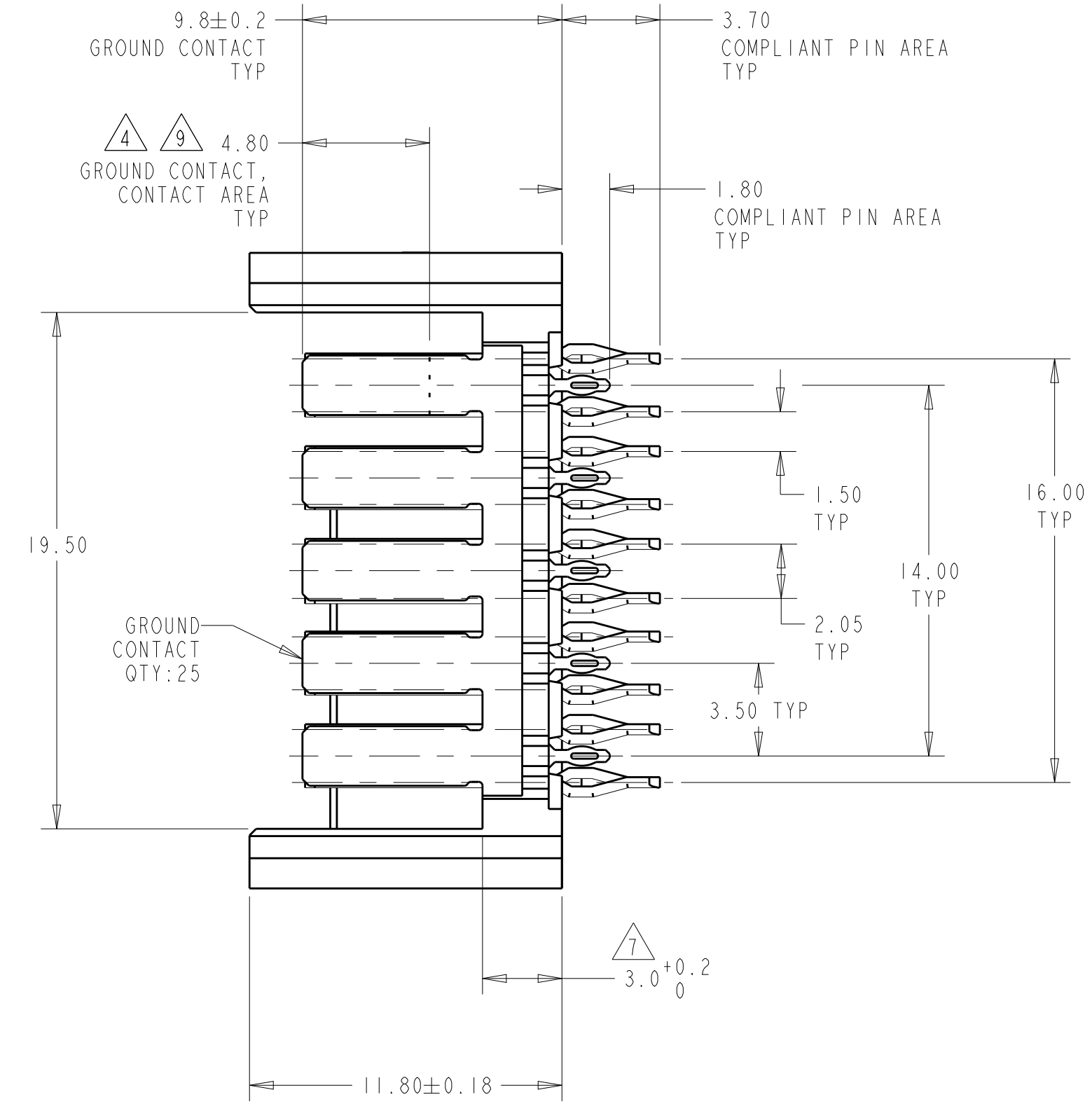
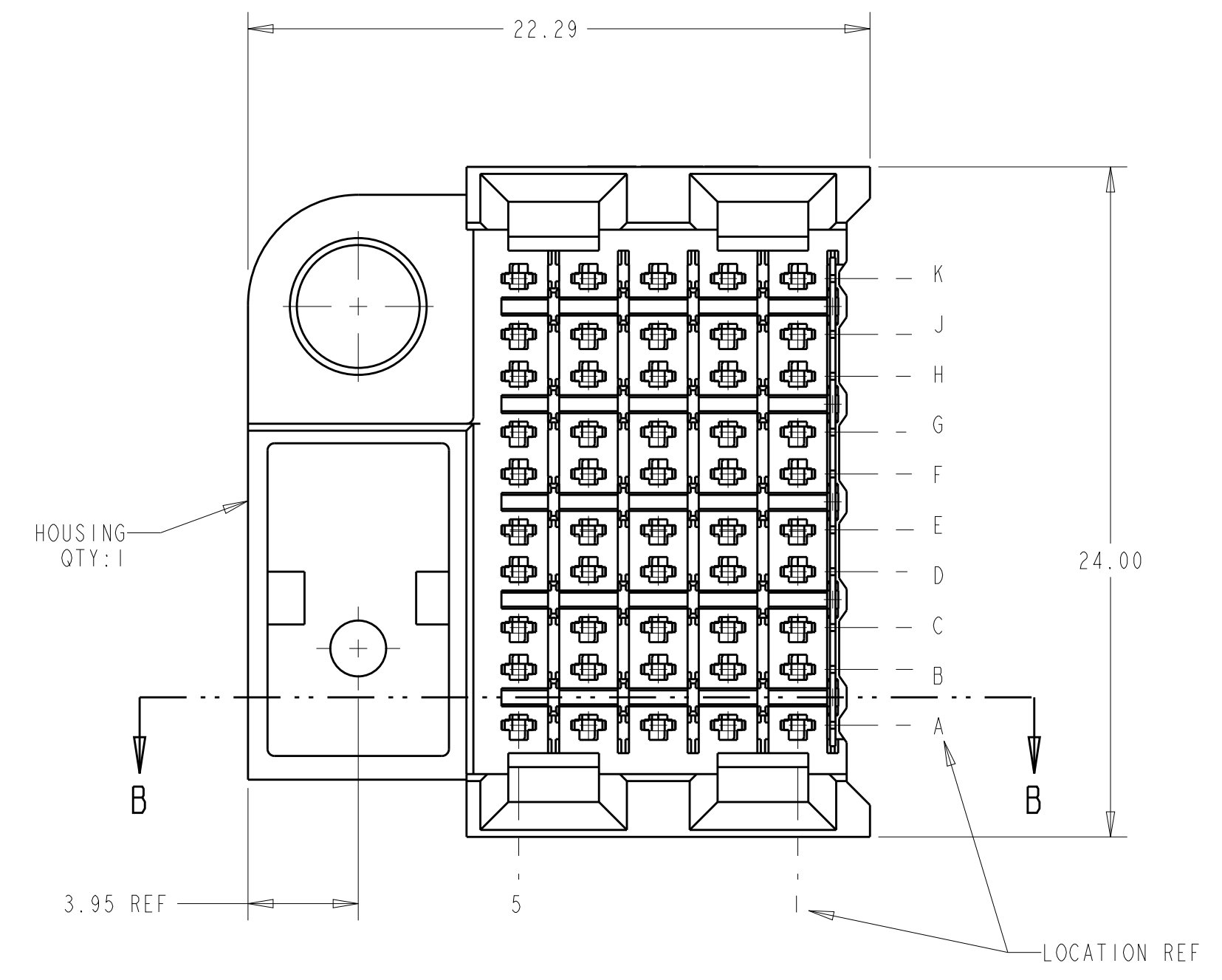


LOC		DIST		REVISIONS			
P	LTN	DESCRIPTION	DATE	DWN	APVD		
C		REVISED PER ECO-12-006972	23AUG2012	KH	JE		

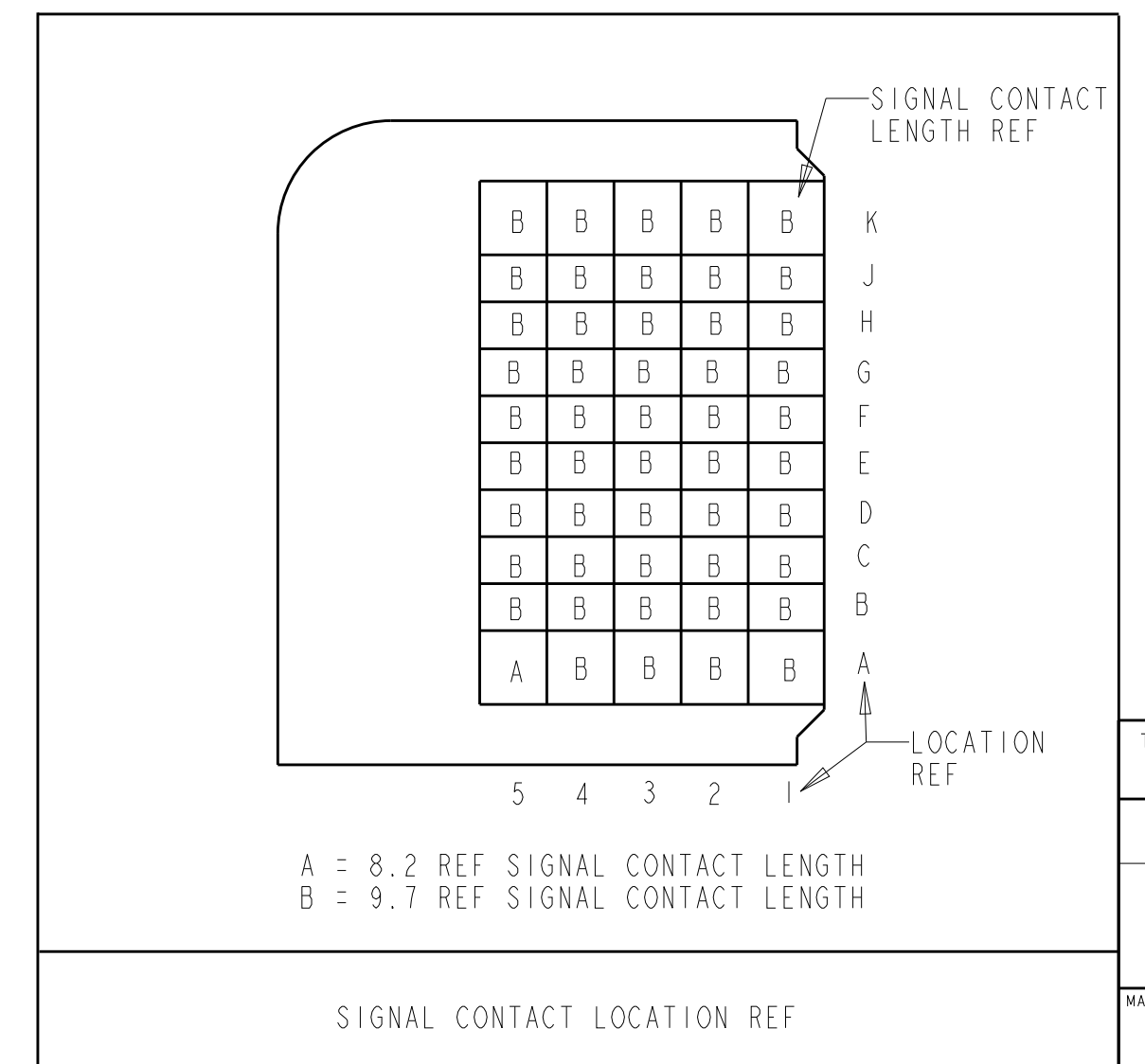
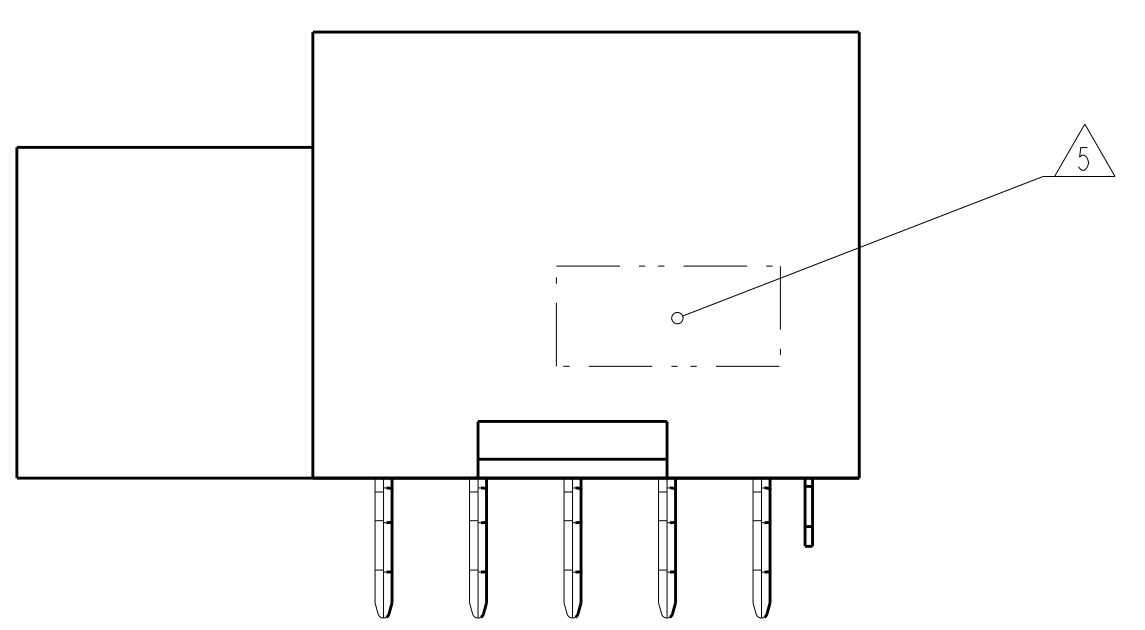
- 2 PHOSPHOR BRONZE
- 3 LCP, UL94V-0
- 4 FINISH:  
CONTACT MATING AREA MEETS THE PERFORMANCE REQUIREMENTS OF  
TE CONNECTIVITY PRODUCT SPECIFICATION 108-1957; BASED ON  
TELCORDIA GR-1217-CORE; APPLICATIONS IN UNCONTROLLED ENVIRONMENTS.  
COMPLIANT PIN AREA: 0.5µm MIN MATTE TIN OVER BASE PLATING.
- 5 CONNECTOR MARKED WITH PART NUMBER AND DATE CODE
- 6 REFERENCE APPLICATION SPEC 114-13020 FOR RECOMMENDED  
PLATED THRU HOLE DIAMETER AND PLATING THICKNESS.
- 7 APPLICATION SEATING HEIGHT TO PRINTED CIRCUIT BOARD
- 8 DATUMS AND BASIC DIMENSIONS ESTABLISHED BY CUSTOMER
- 9 CONTACT AREA LUBRICATED WITH BELLCORE APPROVED LUBRICANT  
TECHNICAL REFERENCE: GR-1217-CORE, ISSUE 1, NOVEMBER 1995



SECTION B-B



RECOMMENDED  
PRINTED CIRCUIT BOARD  
LAYOUT  
COMPONENT SIDE OF PRINTED CIRCUIT BOARD



ROW A: 1-4	ROW A: 5	5120752-1
ROWS B-K: 1-5		
PIN LOCATION	PIN LOCATION	PART NUMBER
SIGNAL CONTACT TYPE B QTY: 49	SIGNAL CONTACT TYPE A QTY: 1	

THIS DRAWING IS A CONTROLLED DOCUMENT.

DIMENSIONS: mm

TOLERANCES UNLESS OTHERWISE SPECIFIED:

0 PLC	±
1 PLC	±
2 PLC	±0.13
3 PLC	±0.05
4 PLC	±
ANGLES	±

MATERIAL HOUSING: 3 CONTACTS: 2 SIGNAL CONTACT: 4 FINISH: 4

THIS DRAWING IS A CONTROLLED DOCUMENT. DWN: B. CARBO 07DEC04 CHK: R. PATTERSON 07DEC04 APVD: R. PATTERSON 07DEC04 NAME: PRODUCT SPEC APPLICATION SPEC WEIGHT: RESTRICTED TO: A1 00779 C=5120752 SCALE: 5:1 SHEET: 1 OF 1 REV: C

**STE** TE Connectivity  
 HEADER ASSEMBLY, 50 POSITION, SEQUENCED, RIGHT HAND, 10 ROW, Z-PACK HS3

单击下面可查看定价，库存，交付和生命周期等信息

[>>TE Connectivity\(泰科\)](#)