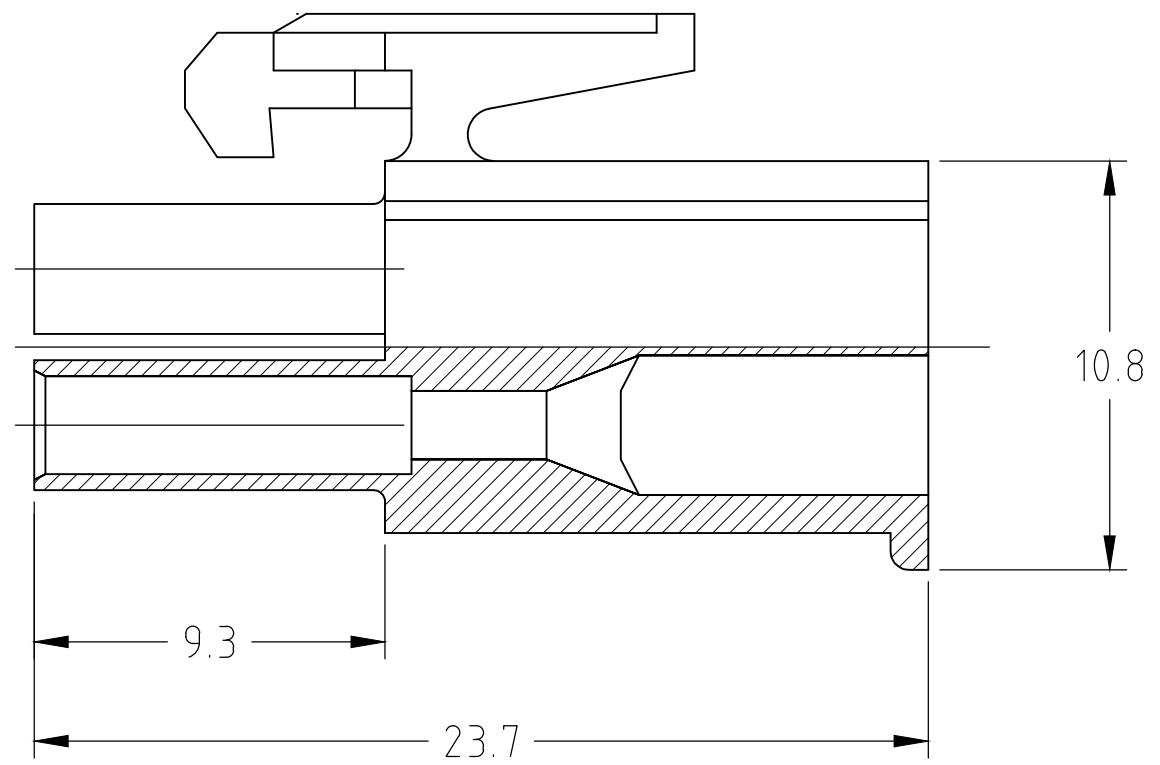
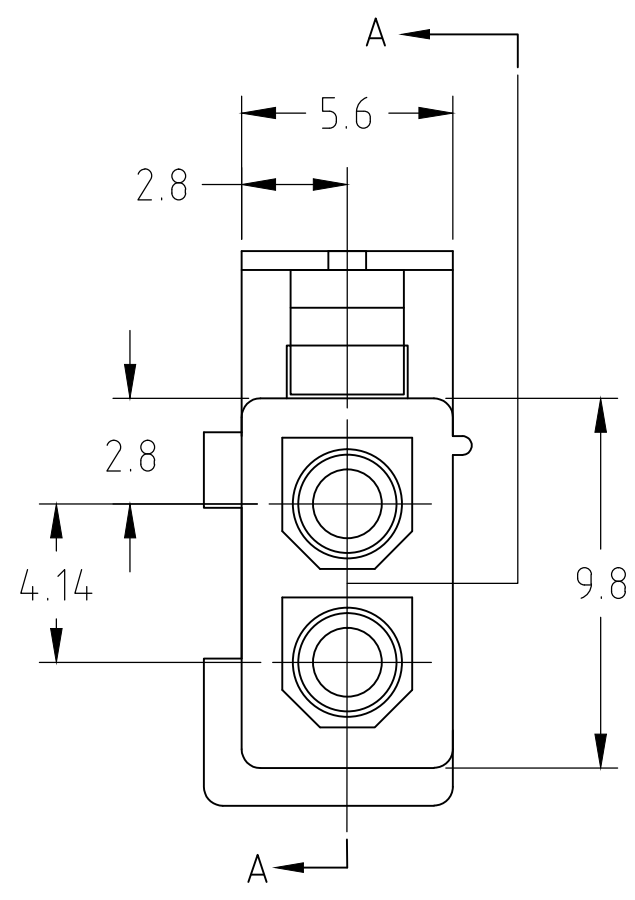
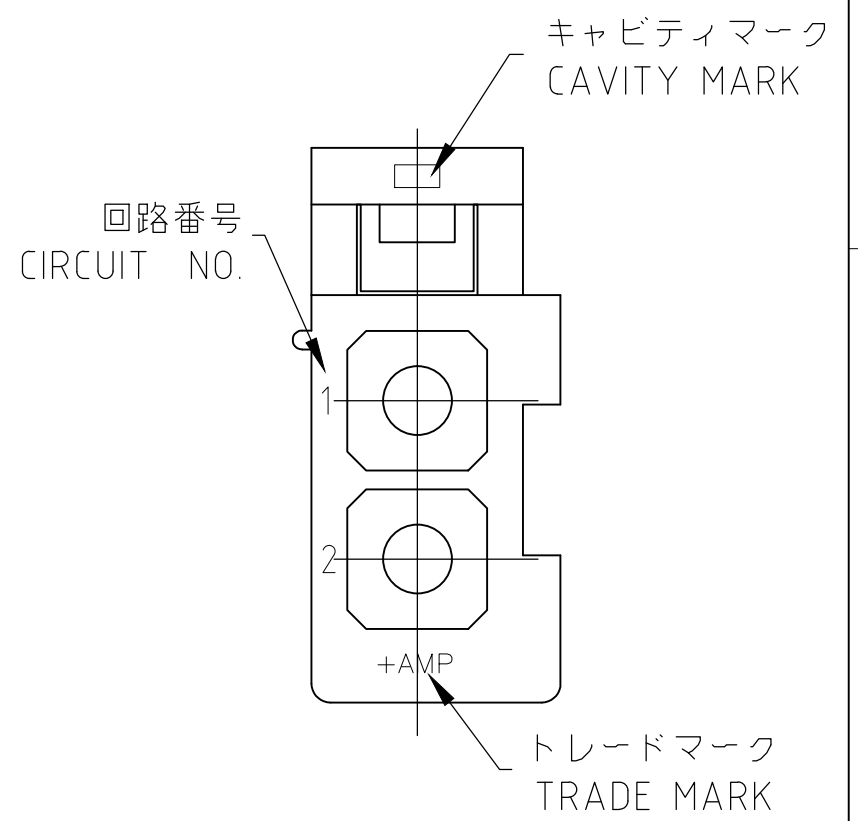


THIS DRAWING IS UNPUBLISHED. RELEASED FOR PUBLICATION  
 © COPYRIGHT - TE Connectivity ALL RIGHTS RESERVED.

| REVISIONS |     |                       |           |     |      |
|-----------|-----|-----------------------|-----------|-----|------|
| P         | LTR | DESCRIPTION           | DATE      | DWN | APVD |
| D         |     | REVISED ECO-14-017402 | 17MAY2017 | CX  | DZ   |



SECT A-A

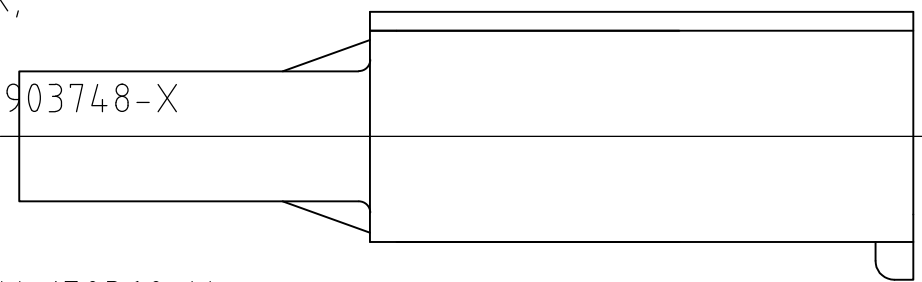


注記

1. 一般公差: ±0.3
2. 使用端子型番: X-170359-X, X-170360-X, X-170361-X, X-170362-X
3. かん合相手ハウジング型番: 1903746-X, 1903748-X

NOTES

1. GENERAL TOLERANCE: ±0.3
2. APPLICABLE CONT P/N: X-170359-X, X-170360-X, X-170361-X, X-170362-X
3. MATING CONN P/N: 1903746-X, 1903748-X



|   |                |                   |
|---|----------------|-------------------|
| 6/6ナイロン(SCHULAMID)ガラス強化 UL94V-2<br>66NYLON (SCHULAMID) GF UL94V-2 | 自然色<br>NATURAL | 1903747-2         |
| 6/6ナイロン(SCHULAMID) UL94V-2<br>66NYLON (SCHULAMID) UL94V-2         | 自然色<br>NATURAL | 1903747-1         |
| 材料<br>MATERIAL  | 色調<br>COLOR    | 型番<br>PART NUMBER |

|   |  |                                   |  |                    |                    |
|---|--|-----------------------------------|--|--------------------|--------------------|
| THIS DRAWING IS A CONTROLLED DOCUMENT.                          |  | DWN<br>J.SATO<br>20FEB2006        | <b>STE</b> TE Connectivity                                   |                    |                    |
| DIMENSIONS:<br>単位: 耗<br>mm                                      |  | CHK<br>N.YAMASAKI<br>20FEB2006    |  |                    |                    |
| TOLERANCES UNLESS<br>OTHERWISE SPECIFIED:<br>一般公差               |  | APVD<br>N.YAMASAKI<br>20FEB2006   | NAME<br>名称<br>MINI UNIVERSAL MATE-N-LOK<br>PLUG HOUSING 2POS |                    |                    |
| 0 PLC ±<br>1 PLC ±<br>2 PLC ±<br>3 PLC ±<br>4 PLC ±<br>ANGLES ± |  | PRODUCT SPEC<br>製品規格<br>108-78359 | DRAWING NO<br>番号<br>C-1903747                                |                    |                    |
| MATERIAL<br>材料<br>SEE TABLE                                     |  | FINISH<br>仕上                      | SIZE<br>A3   | CAGE CODE<br>00779 | RESTRICTED TO<br>- |
|   |  | WEIGHT<br>0.000000                | SCALE<br>尺度 4:1  | SHEET<br>1 OF 1    | REV<br>D           |
| CUSTOMER DRAWING  |  |                                   |  |                    |                    |

单击下面可查看定价，库存，交付和生命周期等信息

[>>TE Connectivity\(泰科\)](#)