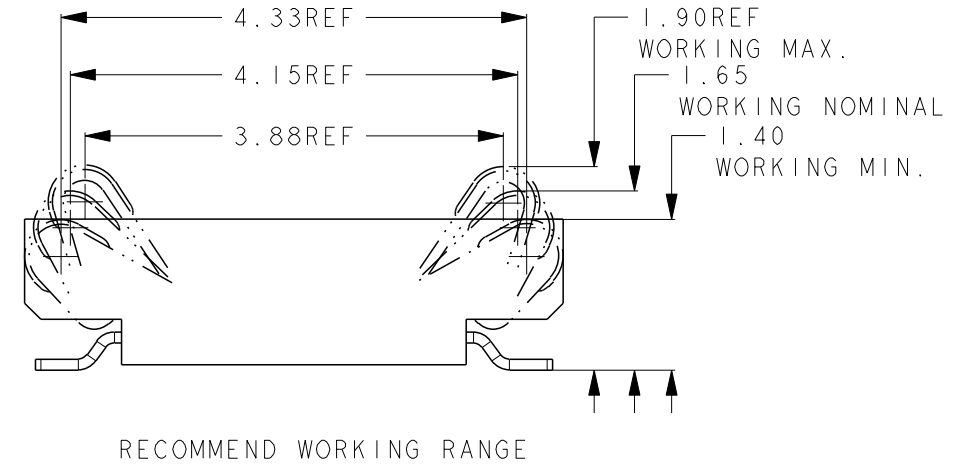
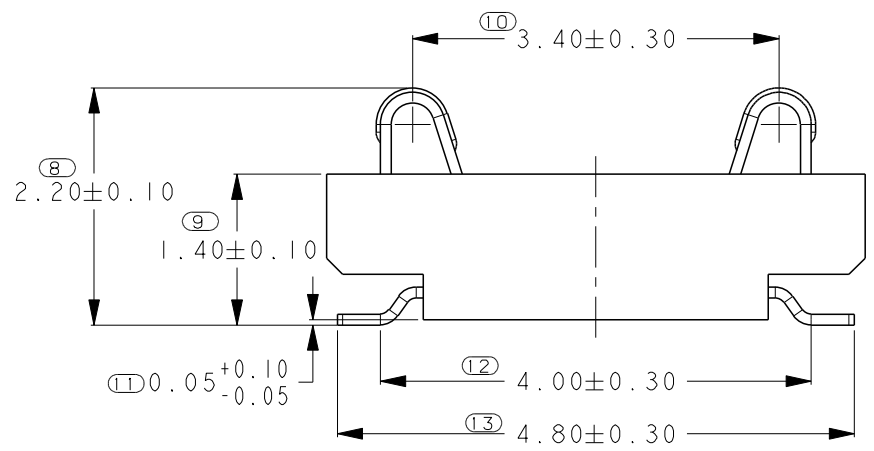
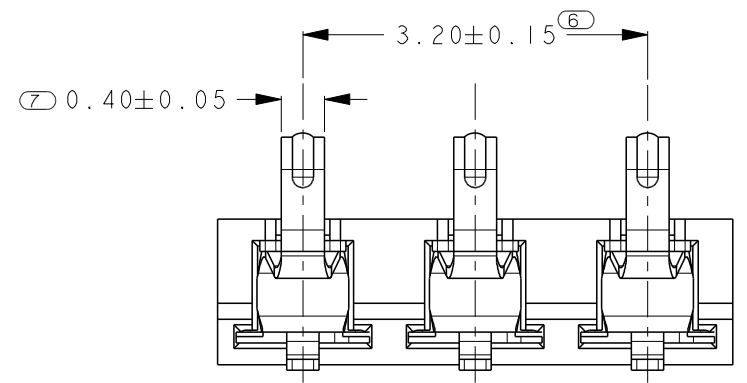
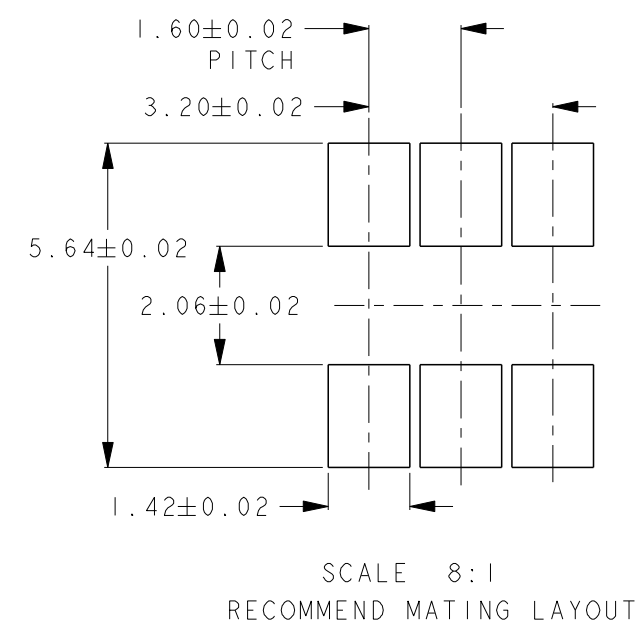
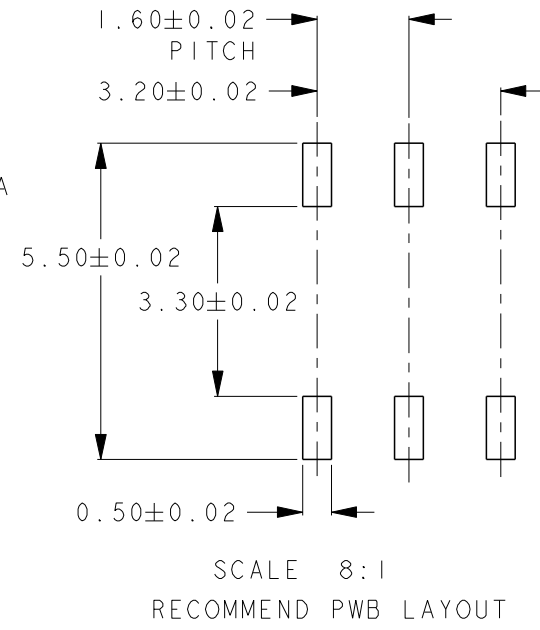
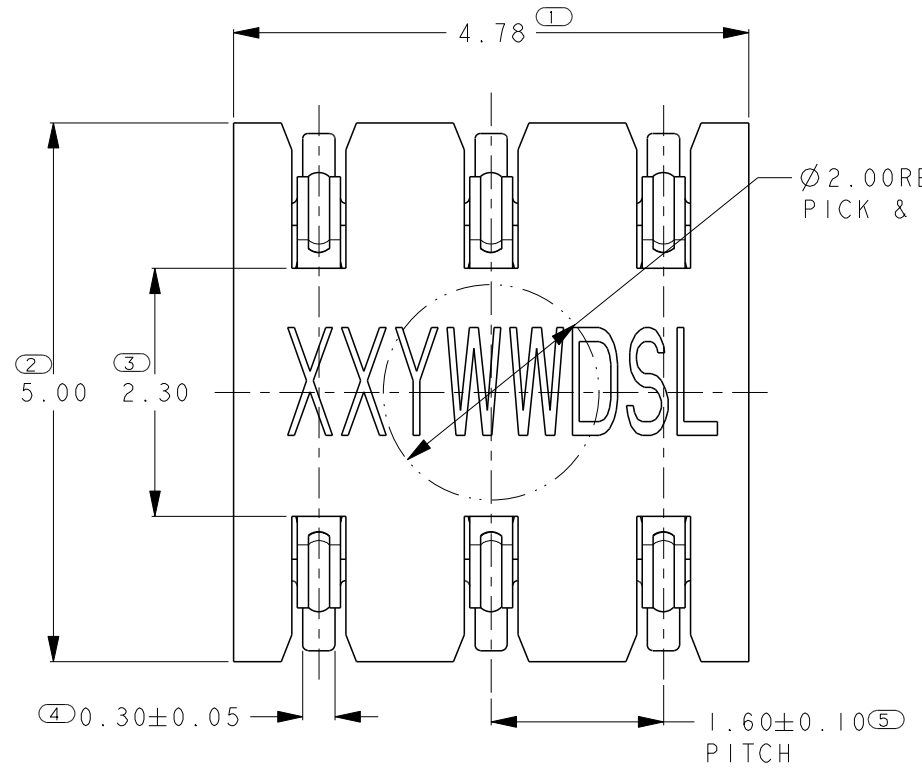


THIS DRAWING IS UNPUBLISHED. RELEASED FOR PUBLICATION 20

© COPYRIGHT 20 ALL RIGHTS RESERVED.

P	LTR	DESCRIPTION	DATE	DWN	APVD
A		RELEASE	21MAR2011	M.S	S.Y
A1		ADD DIM. NO.	22JUN2011	M.S	S.Y
A2		REVISE SPEC NO.	19AUG2011	M.S	S.Y

AS SHOWN: 1932771-1



- NOTES:
- 1 MATERIAL: COPPER ALLOY, THICKNESS 0.10mm.
  - 2 HOUSING: HIGH TEMPERATURE THERMO PLASTIC UL94V-0 BLACK
  - 3 FINISH: 0.10-0.2 µm GOLD PLATING ON CONTACT AREA, 1.25 µm MIN. NICKLE UNDER PLATING, GOLD FLASH PLATING ON SOLDERING AREA.
  - 4 COPLANARITY: 0.08 MAX. AMONG ALL SOLDER TAILS.
  - 5 PACKAGING: TAPE & REEL.

THIS DRAWING IS A CONTROLLED DOCUMENT.

DIMENSIONS: mm	TOLERANCES UNLESS OTHERWISE SPECIFIED: ±0.20	DWN: SHI MING 22OCT2010	 TE Connectivity
		CHK: WENKE HE 22OCT2010	
		APVD: STEVEN YAO 22OCT2010	
		PRODUCT SPEC: 108-115016-1	
MATERIAL	FINISH	APPLICATION SPEC: -	NAME: ONE PIECE BtoB CONNECTOR 6 PINS, 1.6MM PITCH, HI.65, TWO ROWS
		WEIGHT: 0.062g	SIZE: A300779 CAGE CODE: C-1932771 DRAWING NO: - RESTRICTED TO: -
			SCALE: 20:1 SHEET: 1 OF 2 REV: A2

4

3

2

1

THIS DRAWING IS UNPUBLISHED.

RELEASED FOR PUBLICATION

20

LOC

DIST

REVISIONS

© COPYRIGHT 20

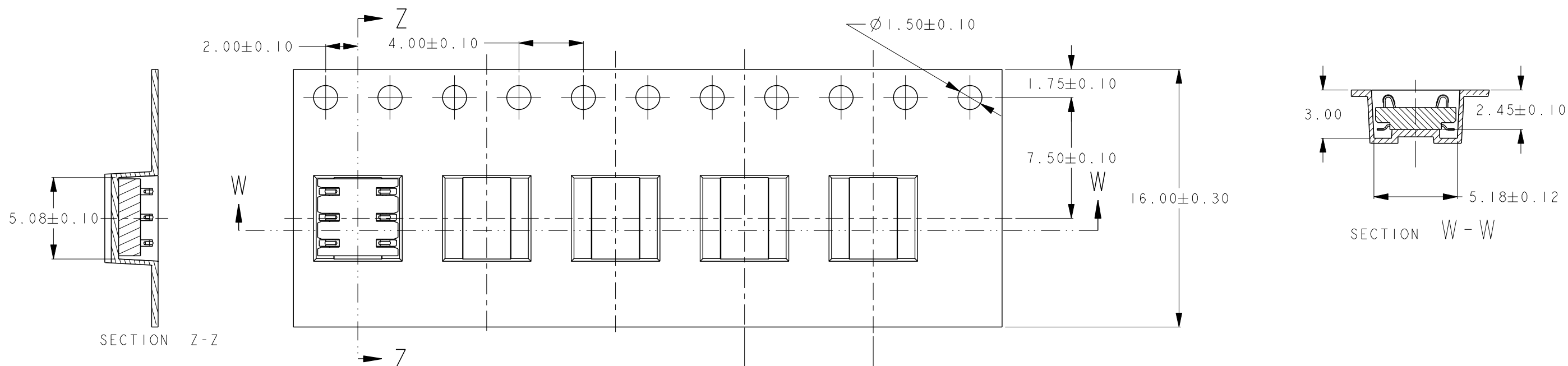
ALL RIGHTS RESERVED.

ES

P	LTR	DESCRIPTION	DATE	DWN	APVD
A		RELEASE	21MAR2011	M.S	S.Y
A1		ADD DIM. NO.	22JUN2011	M.S	S.Y
A2		REVISE SPEC NO.	19AUG2011	M.S	S.Y

D

D



SECTION Z-Z

SECTION W-W

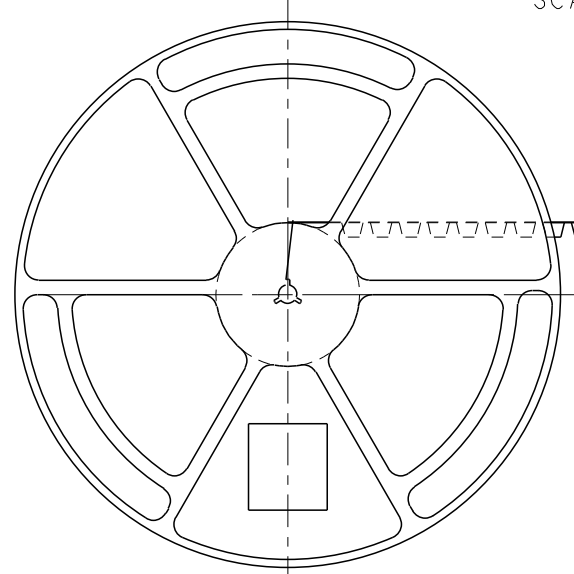
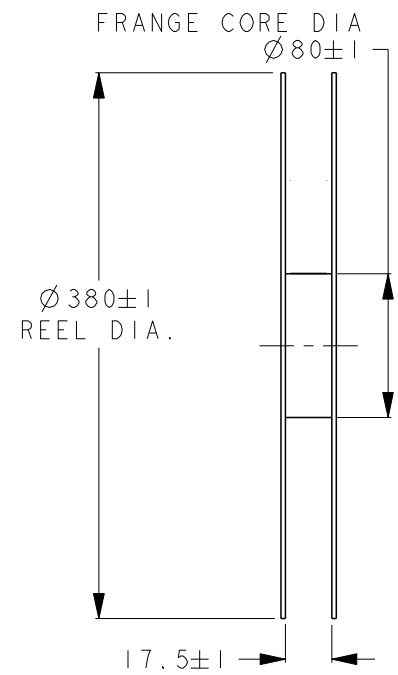
SCALE 4:1

8.00

165° 21.2' ~ 180°  
 PEELING ANGLE  
 250mm MIN. 0.1 ~ 1.3N (300mm/min ± 10%)  
 PEELING STRENGTH

C

C



40mm MIN.  
 WITHOUT CHARGE  
 SEALED WITH COVER TAPE

WITH PRODUCT CHARGE  
 3500 PCS/REEL

100mm MIN.  
 WITHOUT CHARGE  
 SEALED WITH COVER TAPE


B

B

A

A

NOTES:  
 1. MATERIAL: P.S CLEAR, 0.4MM THICKNESS.  
 2. QUANTITY PER REEL: 3500 PIECES.

THIS DRAWING IS A CONTROLLED DOCUMENT.		DWN	22OCT2010		TE Connectivity	
		CHK	22OCT2010			
		APVD	22OCT2010	NAME		
		STEVEN YAO		ONE PIECE BtoB CONNECTOR		
		PRODUCT SPEC		6 PINS, 1.6MM PITCH, HI.65 TWO ROWS		
		108-115016-1		APPLICATION SPEC		
		WEIGHT		RESTRICTED TO		
		-		-		
DIMENSIONS: mm		TOLERANCES UNLESS OTHERWISE SPECIFIED: ±0.20		SIZE		CAGE CODE
		0-PLC ±		A300779		DRAWING NO
		1-PLC ±		C=1932771		SCALE 20:1
		2-PLC ±		SHEET 2 OF 2		REV A2
		3-PLC ±				
		4-PLC ±				
		ANGLES ±5°				
MATERIAL		FINISH				

单击下面可查看定价，库存，交付和生命周期等信息

[>>TE Connectivity\(泰科\)](#)