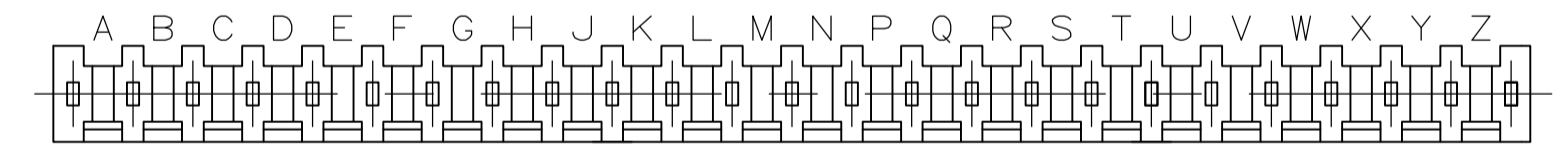
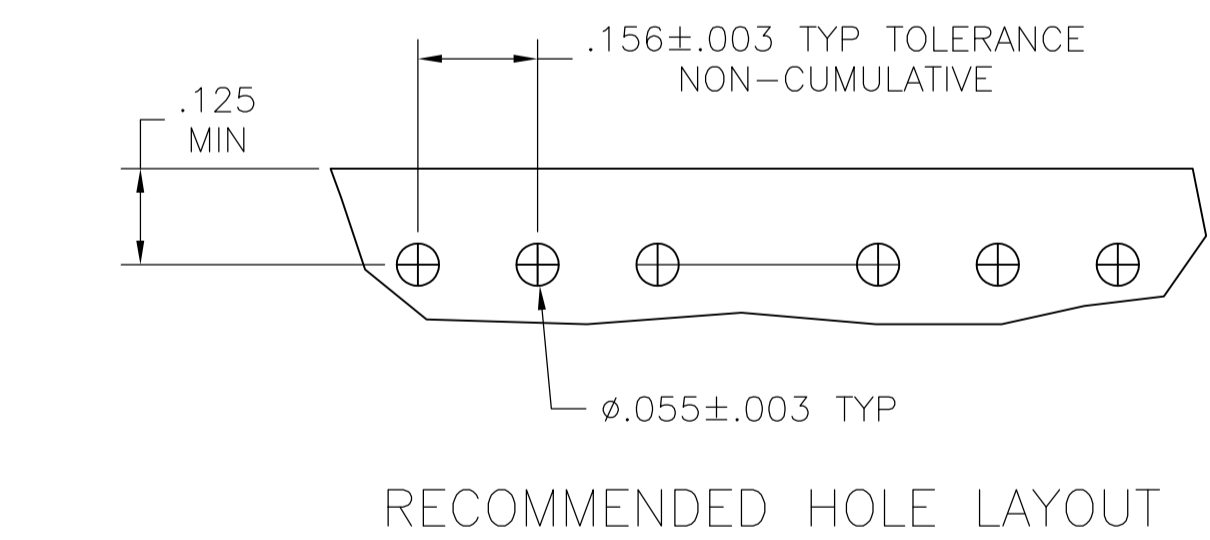
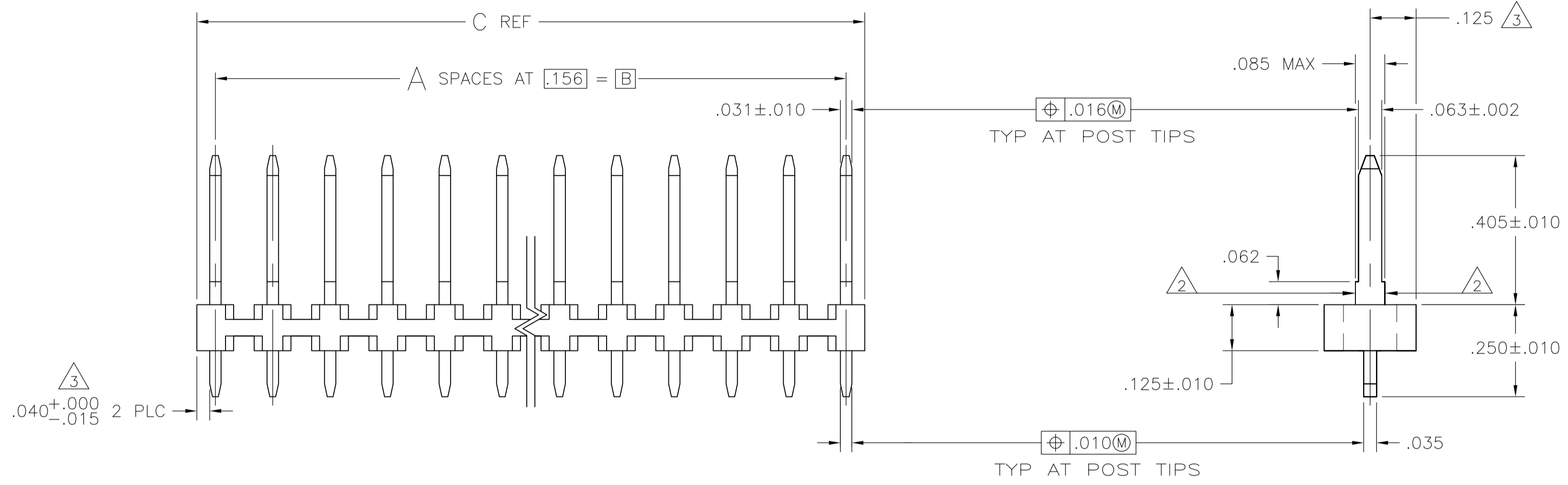


- △ SLOTS MAY BE LOCATED BETWEEN ANY OF THE CIRCUIT CAVITIES ON THIS SIDE OF THE HOUSING, (LOC D7).
- △ THESE SURFACES WILL NOT BE PLATED, (2 PLC).
- △ THE NOTED DIMENSIONS APPLY AT THE INTERSECTION OF THE POST AND THE HOUSING, (LOC B8).
- △ .000100-.000200 BRIGHT TIN-LEAD OVER .000030 NICKEL.
- △ .000100-.000200 MATTE TIN OVER .000030 NICKEL.
- △ ROHS 2002/95/EC COMPLIANT.



OBSOLETE	△5	1,3,5	A,D	2	.735	.624	4	2	5	△5-102410-7
OBSOLETE	△5	2,3,4	A,D	2	.735	.624	4	2	5	△5-102410-6
OBSOLETE	△5	4,8,10	A,D,G,K	4	1.671	1.560	10	8	11	△5-102410-5
OBSOLETE	△5	3	A,C,E	3	1.047	.936	6	6	7	△5-102410-4
OBSOLETE	△5	2	A,D	2	.735	.624	4	4	5	△5-102410-3
OBSOLETE	△5	2	A	1	.423	.312	2	2	3	△5-102410-2
OBSOLETE	△5	1	A	1	.423	.312	2	2	3	△5-102410-1
OBSOLETE	△4	1,3,5	A,D	2	.735	.624	4	2	5	102410-7
OBSOLETE	△4	2,3,4	A,D	2	.735	.624	4	2	5	102410-6
OBSOLETE	△4	4,8,10	A,D,G,K	4	1.671	1.560	10	8	11	102410-5
OBSOLETE	△4	3	A,C,E	3	1.047	.936	6	6	7	102410-4
OBSOLETE	△4	2	A,D	2	.735	.624	4	4	5	102410-3
OBSOLETE	△4	2	A	1	.423	.312	2	2	3	102410-2
OBSOLETE	△4	1	A	1	.423	.312	2	2	3	102410-1

FINISH	POSTS OMITTED	KEYWAY LOCATIONS	NO OF KEYWAYS	C	B	A	NO OF ACTIVE POSN	NO OF POSN.	ASSEMBLY PART NUMBER
--------	---------------	------------------	---------------	---	---	---	-------------------	-------------	----------------------

THIS DRAWING IS A CONTROLLED DOCUMENT.

DIMENSIONS: INCHES	TOLERANCES UNLESS OTHERWISE SPECIFIED:	DIN L.A.MAYER 01APR87	Tyco Electronics Corporation
0 PLC ± -	1 PLC ± -	CHK F.B.HUBBEN 07APR87	Harrisburg, Pa 17105-3608
2 PLC ± -	3 PLC ± .005	APP'D F.B.HUBBEN 07APR87	NAME
4 PLC ± -	ANGLES ± -	PRODUCT SPEC	108-25016
MATERIAL HOUSING - FLAME RETARDANT THERMOPLASTIC, COLOR = BLACK POSTS - BRASS	FINISH SEE TABLE	APPLIC. SPEC	SIZE CASE CODE DRAWING NO
		WEIGHT	A1 00779 C=102410
		CUSTOMER DRAWING	RESTRICTED TO

SCALE 4:1 SHEET 1 OF 1 REV H3

单击下面可查看定价，库存，交付和生命周期等信息

[>>TE Connectivity\(泰科\)](#)