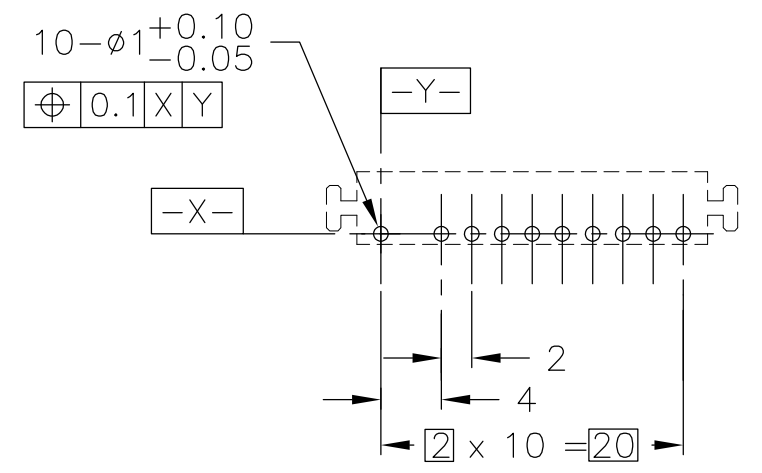
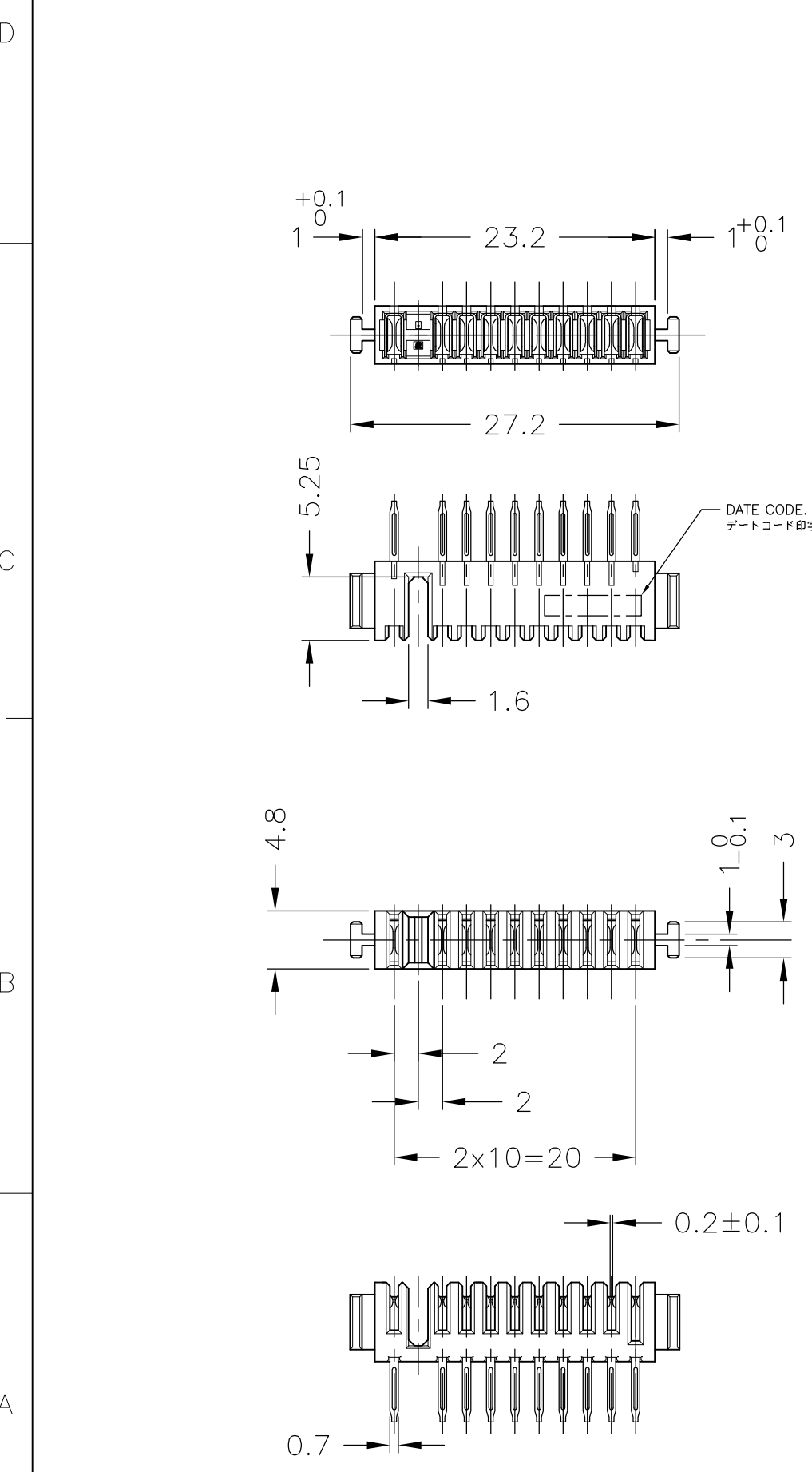
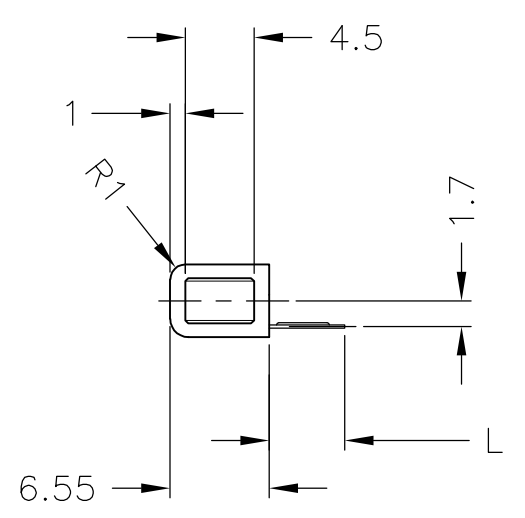


THIS DRAWING IS UNPUBLISHED. RELEASED FOR PUBLICATION  
 © COPYRIGHT 2001 BY TYCO ELECTRONICS CORPORATION. ALL RIGHTS RESERVED.

LOC	DIST	REVISIONS					
J		P	LTR	DESCRIPTION	DATE	DWN	APVD
			D	REVISED PER ECR-10-012533	16JUN10	HMR	TM



基板取付推奨寸法  
 RECOMMENDED P.C. BOARD LAYOUT  
 P.C. BOARD THK 0.8~1.2  
 (VIEW FROM CONNECTOR MOUNTING SIDE)



- ① 材料
  - ・ハウジング：熱可塑性樹脂、UL94V-O、黒
  - ・コンタクト：銅合金
- ② 仕上げ
  - ・コンタクト：全面ニッケル下地めっき
  - 接触部 金めっき 0.3μm 以上
  - 半田付け部 金フラッシュめっき
- ① MATERIAL
  - ・ HOUSING: THERMOPLASTIC RESIN UL94V-O, BLACK
  - ・ CONTACT: COPPER ALLOY
- ② FINISH
  - ・ CONTACT: Ni ALL OVER UNDER PL. GOLD PL. (0.3μm MIN.) AT CONTACT AREA
  - Au FLASH PL. AT LEAD AREA

-	3	1-1612963-4
AS SHOWN	5	1612963-4
SUPERSEDED BY 1-1612963-4	3	1-1612963-3
SUPERSEDED BY 1612963-4	5	1612963-3
REMARK	DIM "L"	PART NO.

THIS DRAWING IS A CONTROLLED DOCUMENT.		DWN T.KATANO 30JAN03	Tyco Electronics Corporation Kawasaki, Japan	
DIMENSIONS: 単位： 耗 mm		CHK K.IKEGAMI 30JAN03	NAME 名称 2mm PITCH BATTERY CONNECTOR RECEPTACLE ASSEMBLY	
TOLERANCES UNLESS OTHERWISE SPECIFIED: 一般公差		APVD K.KODAIRA 30JAN03	PRODUCT SPEC 製品規格 108-5850	
0 PLC ± 0.3		APPLICATION SPEC 取付適用規格		
1 PLC ± 0.3		SIZE A3	CAGE CODE 00779	DRAWING NO G-1612963
2 PLC ± 0.3		RESTRICTED TO		
3 PLC ± 0.3		SCALE 尺度 2:1		
4 PLC ± 0.3		SHEET 1 OF 1		
ANGLES ± 3'		REV D		
MATERIAL 材料	FINISH 仕上	CUSTOMER DRAWING		
①	②			

单击下面可查看定价，库存，交付和生命周期等信息

[>>TE Connectivity\(泰科\)](#)