

THIS DRAWING IS UNPUBLISHED.

RELEASED FOR PUBLICATION

ALL RIGHTS RESERVED.

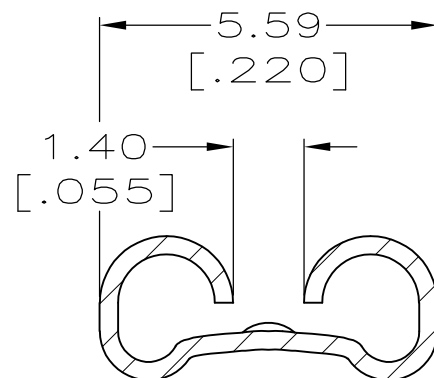
© COPYRIGHT - By -

LOC AF DIST 50

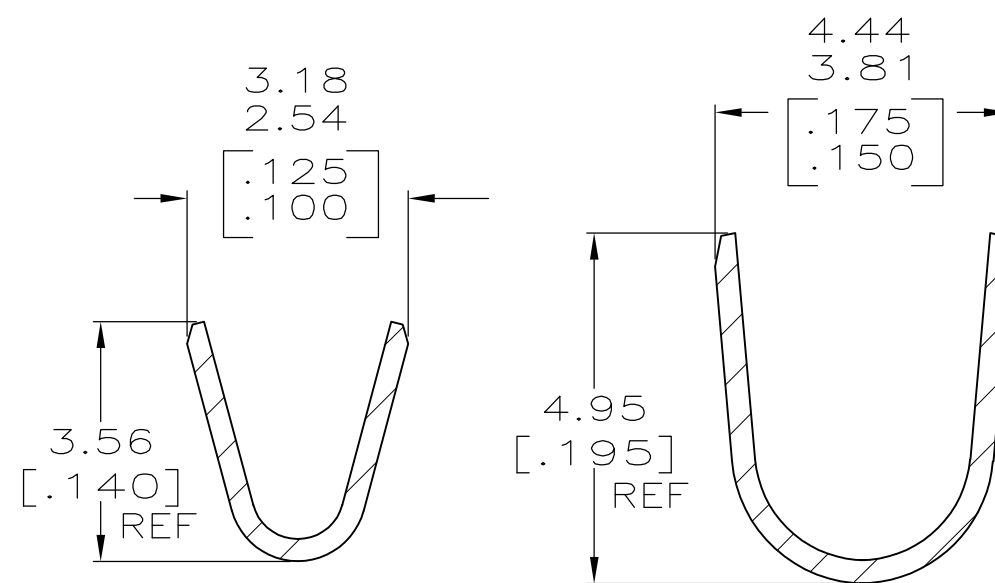
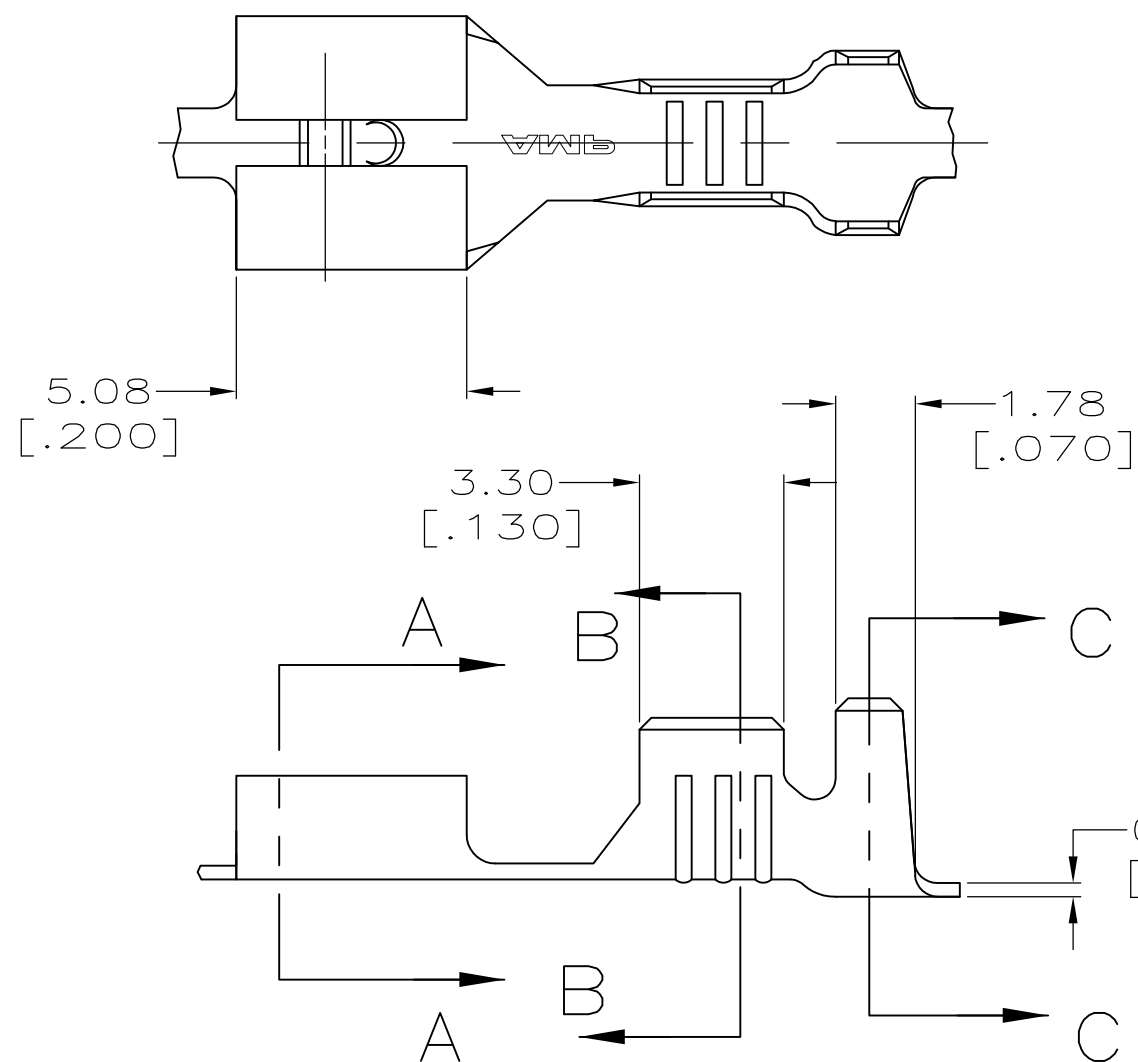
REVISIONS

P	LTR	DESCRIPTION	DATE	DWN	APVD
B		REVISED PER ECR-12-013518	26NOV2012	KH	PD

- CONTINUOUS STRIP ON REELS
- MATING TAB THK TO BE  $0.81 \pm 0.025$   $[\.032 \pm .001]$ .
- WIRE SIZE IS  $[\#20-\#16]$  AWG.
- INSULATION RANGE IS 2.29-3.30  $[\.090-.130]$  DIA.

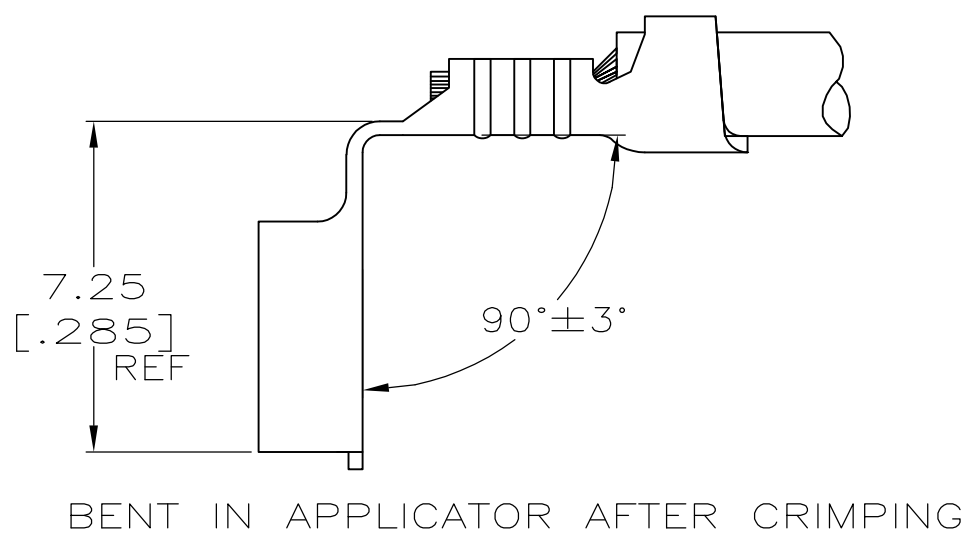


SECTION A-A  
SCALE 8:1




SECTION B-B  
SCALE 8:1

SECTION C-C  
SCALE 8:1



1217112-1  
PART NO.

THIS DRAWING IS A CONTROLLED DOCUMENT.		DWN JR RUTH 10/8/98	 <b>TE Connectivity</b>		
DIMENSIONS: mm [INCHES]		CHK P FORTNEY 10/8/98			
TOLERANCES UNLESS OTHERWISE SPECIFIED:		APVD P DESANTIS 10/8/98	NAME RECEPTACLE, FASTON, 4.75 [.187] SERIES		
0 PLC ± -		PRODUCT SPEC -	SIZE A3	CAGE CODE 00779	DRAWING NO C-1217112
1 PLC ± -		APPLICATION SPEC -	RESTRICTED TO -		
2 PLC ± 0.25 [.010]		WEIGHT -	SCALE 6:1 SHEET 1 OF 1 REV B		
3 PLC ± -		CUSTOMER DRAWING			
4 PLC ± -					
ANGLES ± -					
FINISH -					
MATERIAL BRASS					

单击下面可查看定价，库存，交付和生命周期等信息

[>>TE Connectivity\(泰科\)](#)