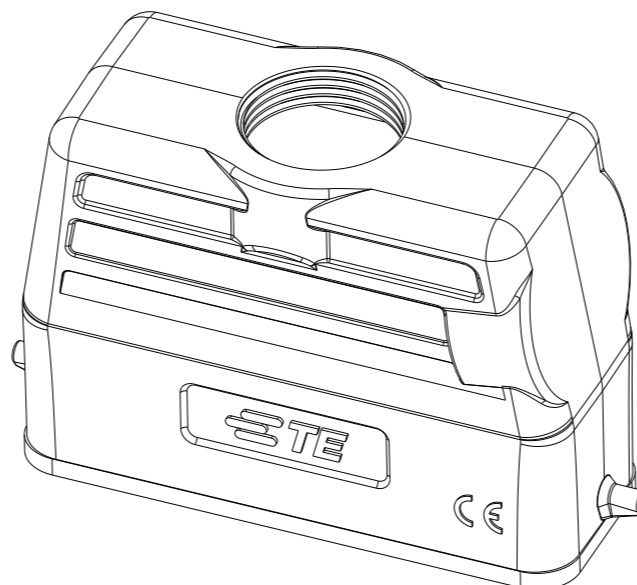
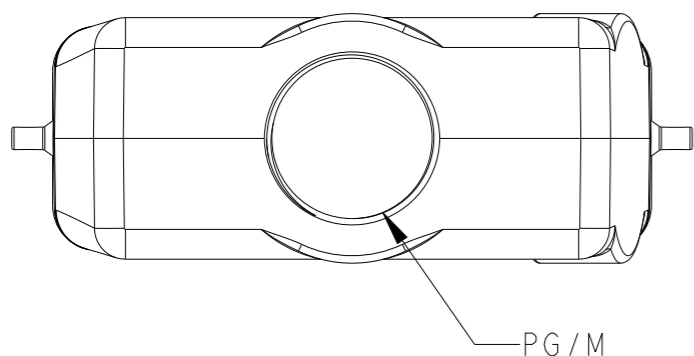


REVISIONS

P	LTR	DESCRIPTION	DATE	DWN	APVD
	A	INITIAL RELEASE	07MAY2015	DL	CW
	B	ECR-20-009510	28DEC2020	BS	CW
	BI	ECR-21-105988	28JUL2021	BS	CW

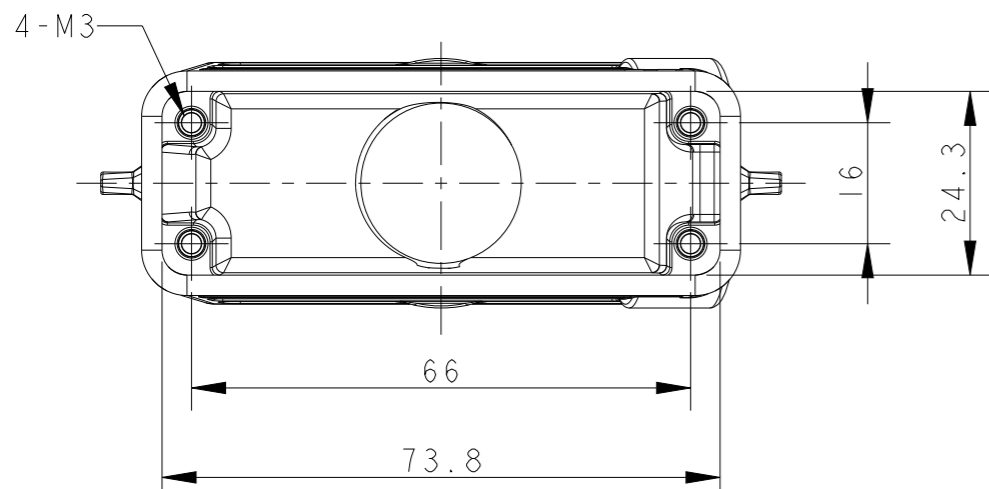
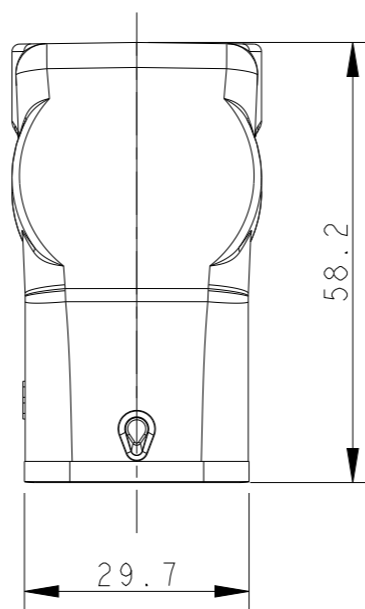
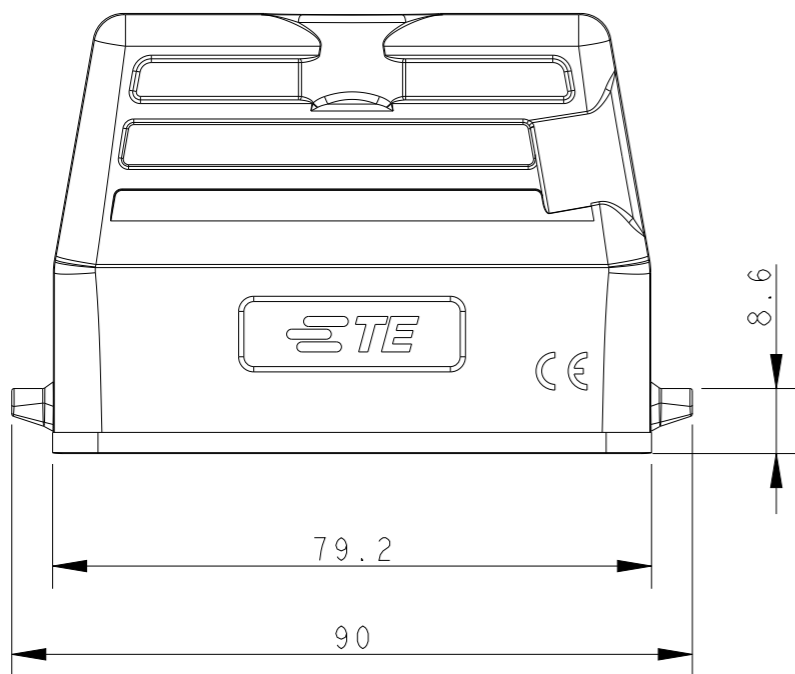


NOTES:

- 1. TECHNICAL CHARACTERISTICS:
 BODY MATERIAL: DIE CAST ALUMINIUM ALLOY
 SURFACE TREATMENT: POWDER-COATED, GRAY
 DEGREE OF PROTECTION: IP65 (MATED)

注释:

- 1. 技术参数:
 主体材料: 铝合金
 表面处理: 粉末喷涂, 灰色
 防护等级: IP65(配合)



T1329160116-000	HI6A-TG-PG16	PG16
T1329160120-000	HI6A-TG-M20	M20
T1329160121-000	HI6A-TG-PG21	PG21
T1329160125-000	HI6A-TG-M25	M25
ASSEMBLY PART NUMBER	ASSEMBLY PART DESCRIPTION	PG/M

THIS DRAWING IS A CONTROLLED DOCUMENT.		DWN	DAVID LI	07MAY2015	STE TE Connectivity	
DIMENSIONS: mm		CHK	CHRIS WANG	07MAY2015		
TOLERANCES UNLESS OTHERWISE SPECIFIED:		APVD	XU XIANG	07MAY2015		
0 PLC ±- 1 PLC ±- 2 PLC ±- 3 PLC ±- 4 PLC ±- ANGLES ±- MATERIAL - FINISH -		PRODUCT SPEC	NAME			HI6A-TG-PG/M
		APPLICATION SPEC	108-137010		SIZE	A3
MATERIAL		WEIGHT	114-137010		CAGE CODE	-
-		CUSTOMER DRAWING		DRAWING NO	C-T13291601XX000	
-		SCALE		1:1	SHEET	1 OF 1
-		REV		BI		

单击下面可查看定价，库存，交付和生命周期等信息

[>>TE Connectivity\(泰科\)](#)