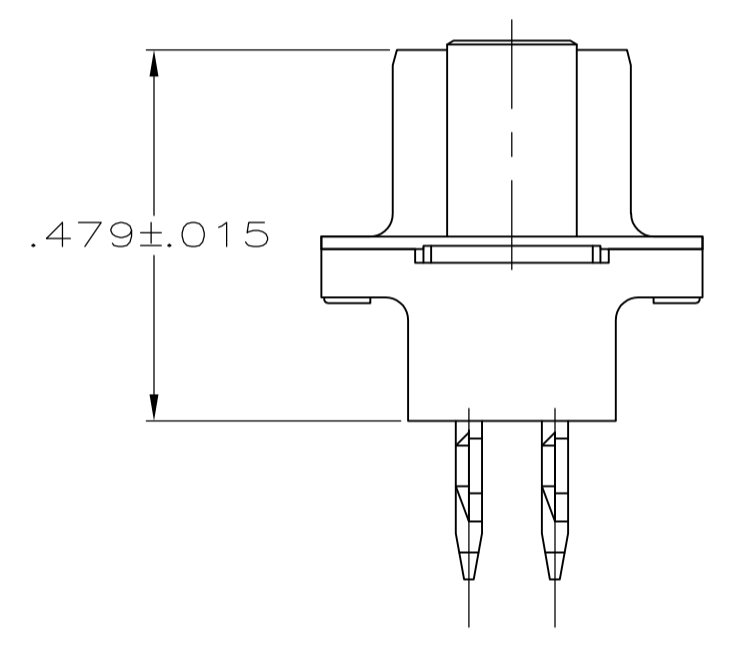
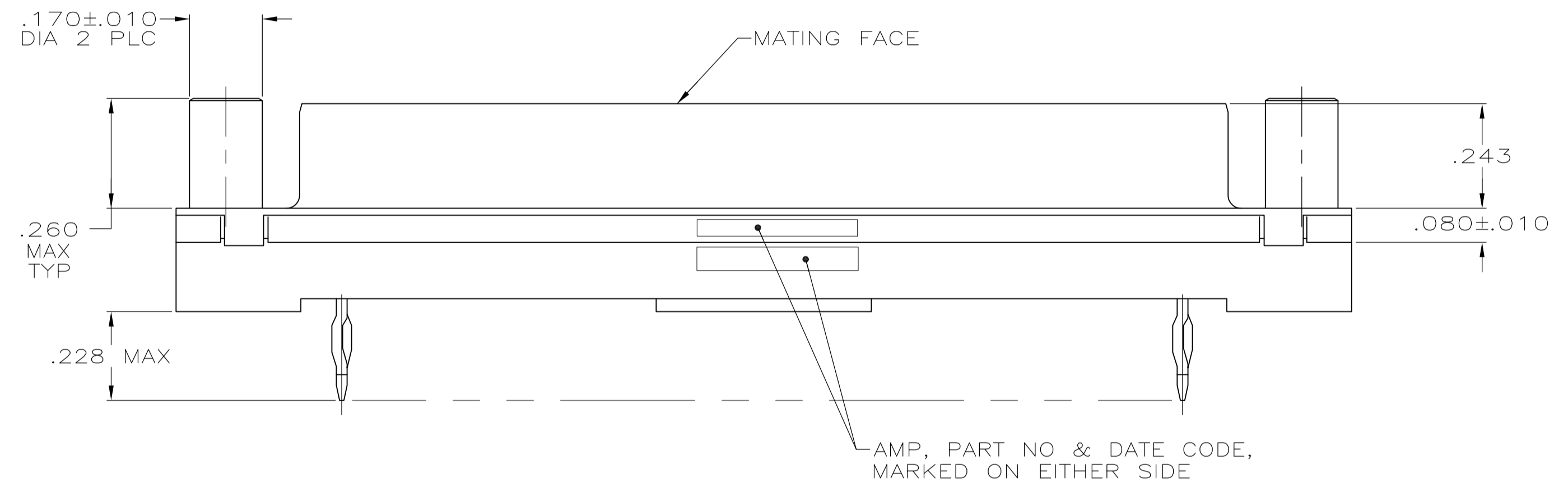
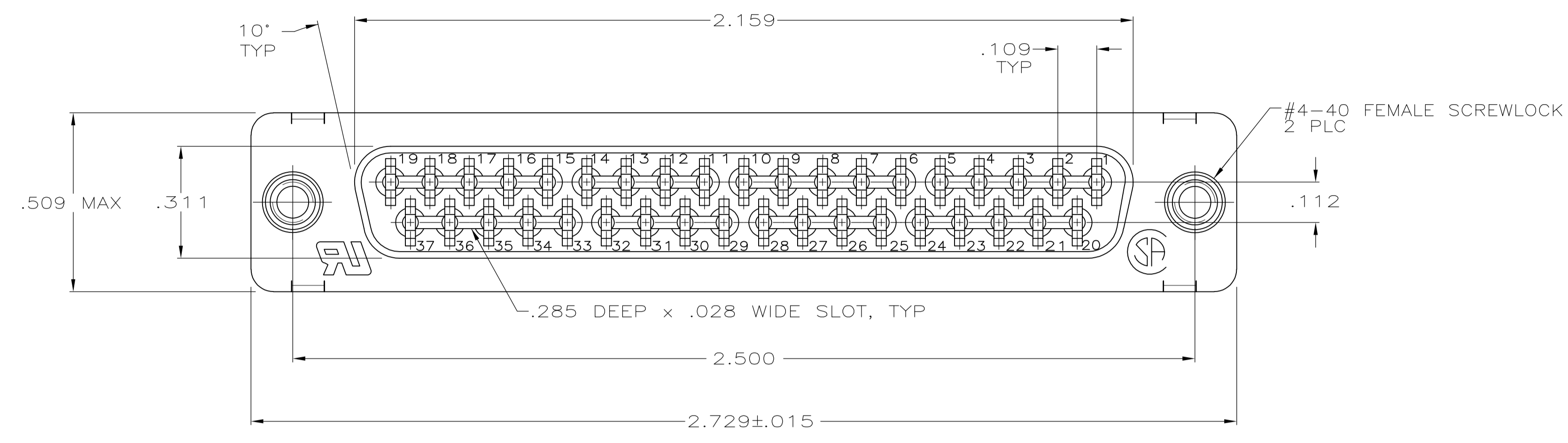


LOC		DIST		REVISIONS			
GP	00	REV	DATE	BY	APPV	DATE	BY
L		REVISED PER ECO-12-000090	31JAN2012	CJV	SLB		



- 1 FOR USE WITH .093 MINIMUM THICK PRINTED CIRCUIT BOARD. REFER TO APPLICATION SPECIFICATION FOR PRINTED CIRCUIT BOARD LAYOUT DIMENSIONS AND FINISH RECOMMENDATIONS.
- 2 DUPLEX PLATED: GOLD FLASH ON MATING SURFACE, BRIGHT TIN OR BRIGHT TIN LEAD ON COMPLIANT PIN, ALL OVER NICKEL.
- 3 .000030 MINIMUM GOLD IN MATING AREA. .000100 MINIMUM TIN OR TIN-LEAD ON COMPLIANT PIN. ALL OVER .000050 MINIMUM NICKEL. OR GOLD FLASH OVER PALLADIUM NICKEL. .000030 MINIMUM TOTAL IN MATING AREA. .000100 MINIMUM TIN OR TIN-LEAD ON COMPLIANT PIN. ALL OVER .000050 MINIMUM NICKEL.
- 4 PLATED .0002-.0004 BRIGHT TIN
- 5. NOTE REMOVED.
- 6 MATERIAL: HOUSING: FLAME RETARDANT 94V-0 RATED THERMOPLASTIC; COLOR: BLACK; SHELL: CARBON STEEL; CONTACTS: COPPER ALLOY; SCREWLOCKS: ZINC ALLOY
- 7 SCREWLOCKS: CLEAR TRIVALENT CHROMATE COATING

OBSOLETE	CONTACT FINISH	747715-2	747715-1
		PART NUMBER	

THIS DRAWING IS A CONTROLLED DOCUMENT. DIMENSIONING AND TOLERANCING PER ASME Y14.5M-2009.

DIMENSIONS: INCHES	TOLERANCES UNLESS OTHERWISE SPECIFIED:	DIN D. HARDY 04-12-94	04-26-94
	0 PLC ± -	CIK R. STONE 04-26-94	
	1 PLC ± -	APVD M. PERCHERKE 04-26-94	
	2 PLC ± -	NAME	RCPT ASSY, SIZE 4, 37 POSN, AMPLIMITE HDP, MDM PROFILE, W/ ACTION PIN CONT & METAL SHELL
	3 PLC ± .005	PRODUCT SPEC	108-40014
	4 PLC ± -	APPLICATION SPEC	114-40026
	ANGLES ± -	SIZE	A1
MATERIAL	FINISH	WEIGHT	000779
		CUSTOMER DRAWING	747715

SCALE: 4:1 SHEET 1 OF 1 REV L

单击下面可查看定价，库存，交付和生命周期等信息

[>>TE Connectivity\(泰科\)](#)