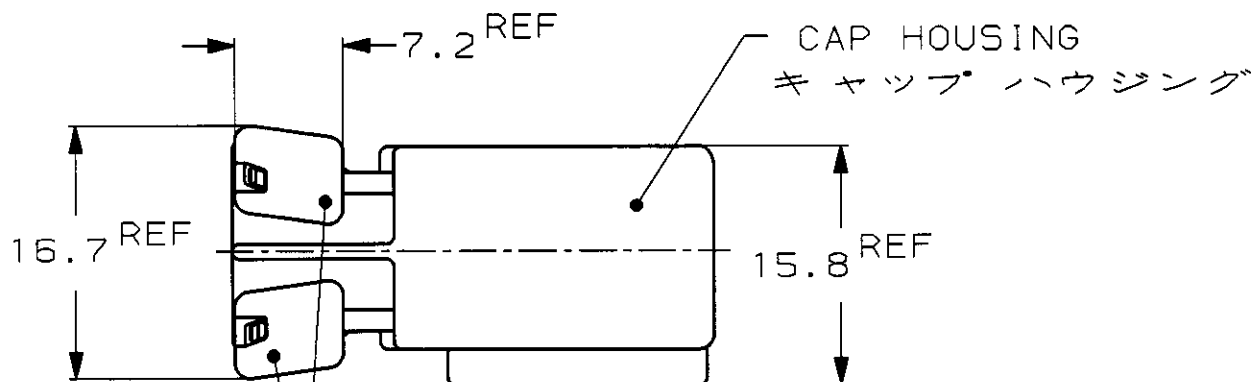
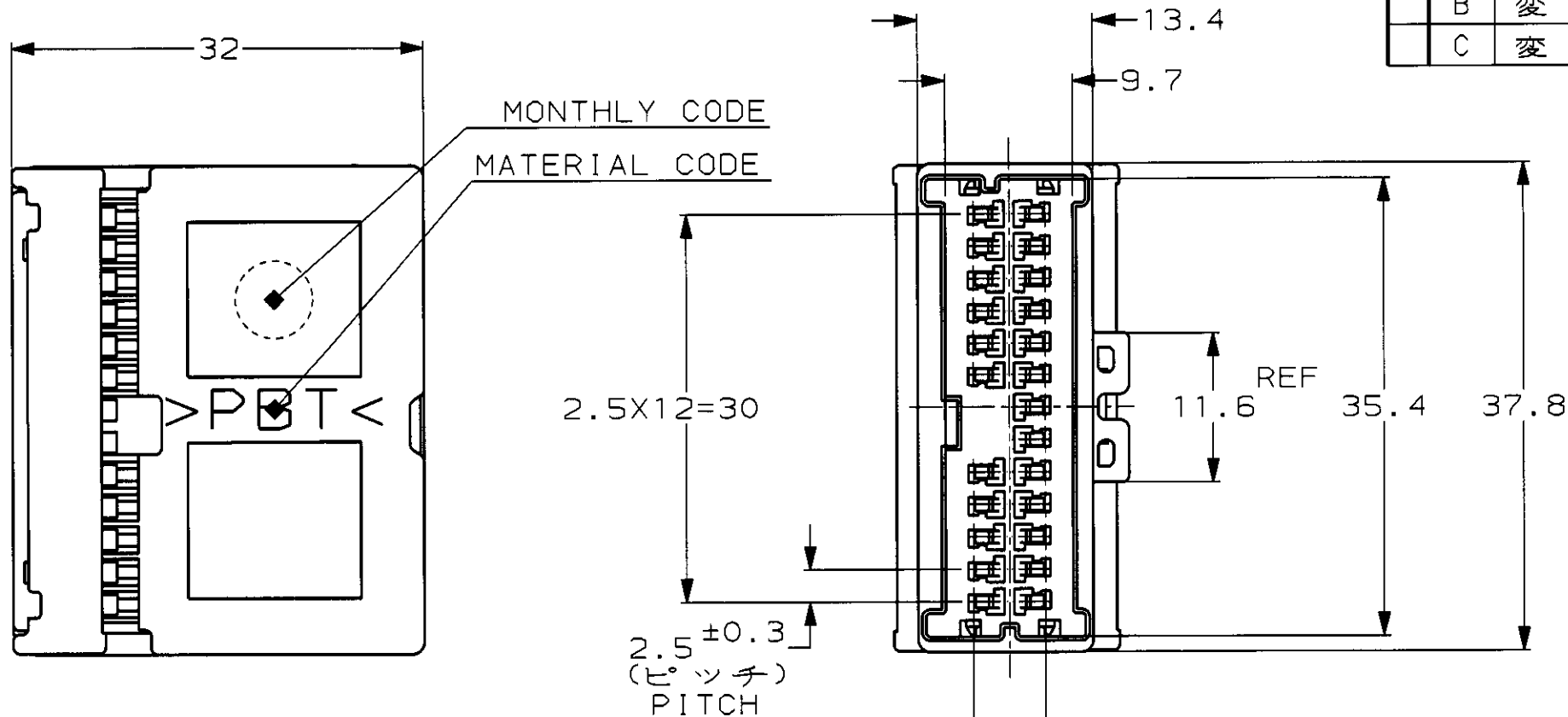
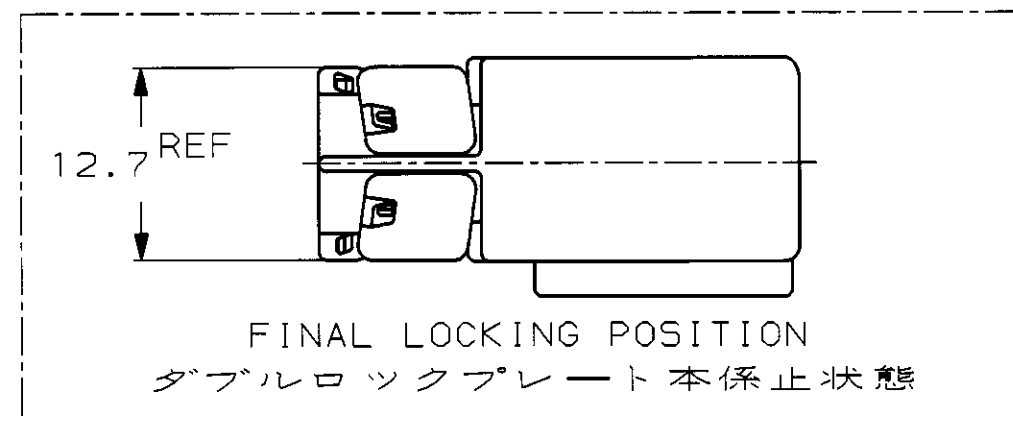


P	LTR	DESCRIPTION	ECN	DATE	OWN	APVD
	A	再作成 REDRAWN	FJ00-0506-98	10APR98	TM	MT
	B	変更 REVISED	FJ00-1797-99	29OCT99	KS	MT
	C	変更 REVISED	FJ00-2112-99	08DEC99	KS	MT



DOUBLE LOCK PLATE (NATURAL)
ダブルロックプレート (自然色)



1123387-1	353537-1 353537-2 (Au)	自然色 (NATURAL)	1123364-1
嵌合相手ハウジング型番 MATING HOUSING PART NUMBER	適用端子型番 APPLICABLE CONTACT PART NUMBER	色 (COLOR)	型番 PART NUMBER
<small>THIS DRAWING IS A CONTROLLED DOCUMENT FOR AMP INCORPORATED. IT IS SUBJECT TO CHANGE AND THE CONTROLLING ENGINEERING ORGANIZATION SHOULD BE CONTACTED FOR THE LATEST REVISION.</small>		AMP 日本エー・エム・シー株式会社 Kawasaki, Japan	
DIMENSIONS: 単位: 概 mm		TOLERANCES UNLESS OTHERWISE SPECIFIED 一般公差: ±0.2 30°: ±0.25 100°: ±0.3 ANGLE: ±0.3°	
MATERIAL 材料 PBT		FINISH 仕上	
APVD: T. MINEMATSU CHK: E. SASAKI APVD: M. TSUKAKOSHI		NAME: 040III MULTILOCK CONNECTOR 24POSITION CAP HOUSING ASSEMBLY (WIRE TO WIRE) 040III マルチロック コネクタ 24極 キャップハウジング アッセンブリ (対電線用)	
PRODUCT SPEC: 108-5607 APPLICATION SPEC: 114-5228		WEIGHT: 8.9g CUSTOMER DRAWING	
SIZE: A3 CAGE CODE: 00779		DRAWING NO: 1123364 RESTRICTED TO: -	
SCALE: 2:1 SHEET: 1 OF 1		REV: C	

/kec/automotive/en32_automotive/u.099-0168/proposal/s.c-1123364

单击下面可查看定价，库存，交付和生命周期等信息

[>>TE Connectivity\(泰科\)](#)