

THIS DRAWING IS UNPUBLISHED.

RELEASED FOR PUBLICATION

20

LOC

DIST

REVISIONS

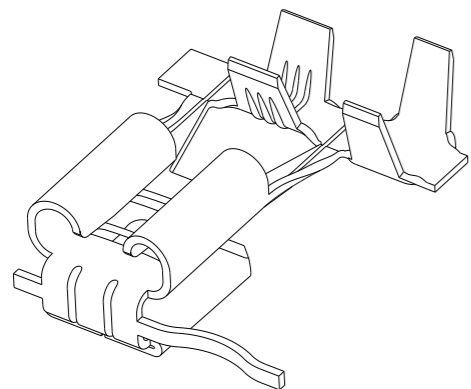
© COPYRIGHT 20

ALL RIGHTS RESERVED.

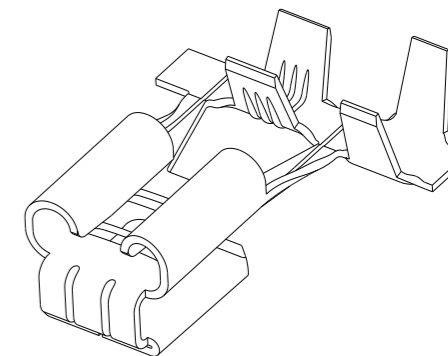
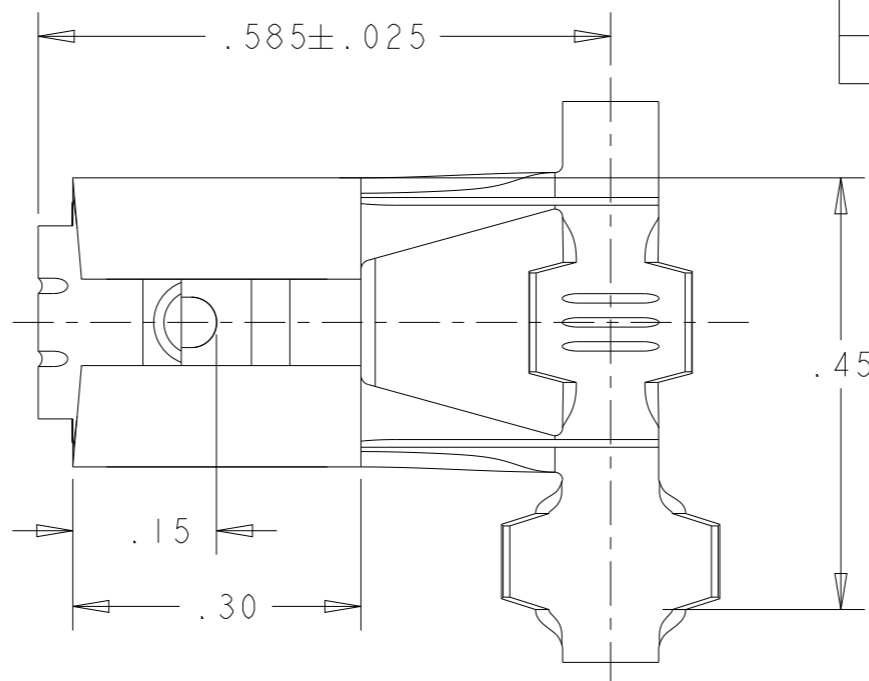
IR

B

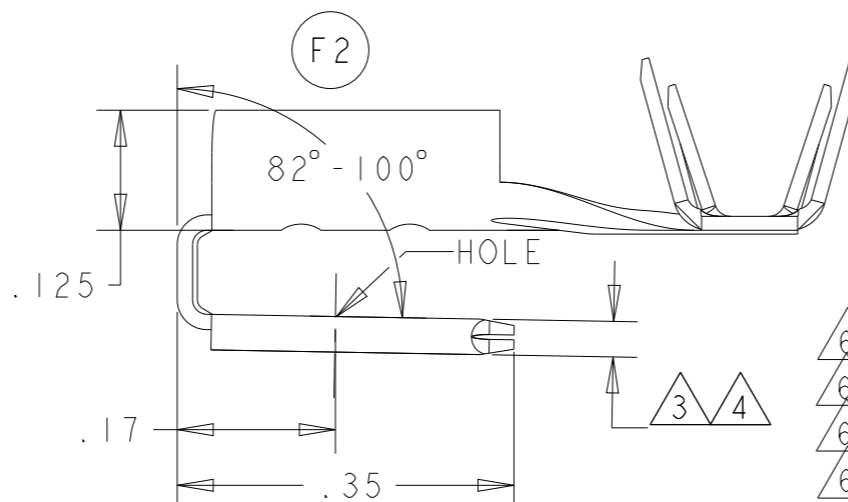
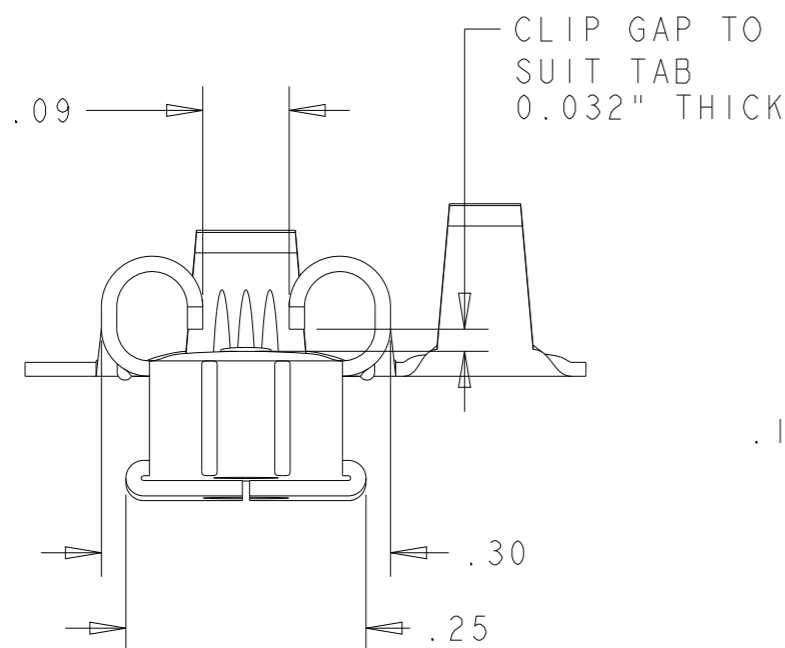
P	LTR	DESCRIPTION	DATE	DWN	APVD
	F	ECR-06-000712	11/01/06	MJG	JA
	F1	ECR-10-022530	02FEB11	KK	HMR
	F2	TAB BENT ANGLE DIM. ADDED	27JUL2011	PKS	RRP
	F3	REVISED PER ECR-21-100552	09MAR2021	PC	DH



1 PRODUCT MANUFACTURED WITH REAR CARRIER STRIP



2 PRODUCT MANUFACTURED WITHOUT REAR CARRIER STRIP



6	4	2	ELECTRO-TIN	+51321-8
6	4	2	UNPLATED	+51321-7
6	4	1	ELECTRO-TIN	+51321-6
6	4	1	UNPLATED	+51321-5
	3	2	ELECTRO-TIN	151321-4
	3	2	UNPLATED	151321-3
	3	1	ELECTRO-TIN	151321-2
	3	1	UNPLATED	151321-1
	TAB	CARRIER	FINISH	PART NO

NOTES:

- 1 PRODUCT MANUFACTURED WITH REAR CARRIER STRIP
- 2 PRODUCT MANUFACTURED WITHOUT REAR CARRIER STRIP
- 3 STANDARD TAB
- 4 LOW INSERTION TAB
- 5. TERMINAL DESIGNED FOR WIRE RANGE 18-14 AWG WITH INSULATION RANGE 0.120" TO 0.0170"
- 6 OBSOLETE

THIS DRAWING IS A CONTROLLED DOCUMENT.

DIMENSIONS: INCHES	TOLERANCES UNLESS OTHERWISE SPECIFIED:
	±.02
	±.02
	±.02
	±.02
	±.02
	±1
MATERIAL BRASS	FINISH SEE TABLE

DWN	A. J. BEKEN	13/09/00
CHK	R. GOODALL	13/09/00
APVD	F. W. K.	13/09/00
PRODUCT SPEC	-	
APPLICATION SPEC	-	
WEIGHT	-	
CUSTOMER DRAWING		

STE TE Connectivity			
NAME FLAG FASTON, PIGGY BACK .250 SERIES			
SIZE	CAGE CODE	DRAWING NO	RESTRICTED TO
A3	00779	C-151321	
SCALE 5:1		SHEET 1 OF 1	REV F3

单击下面可查看定价，库存，交付和生命周期等信息

[>>TE Connectivity\(泰科\)](#)