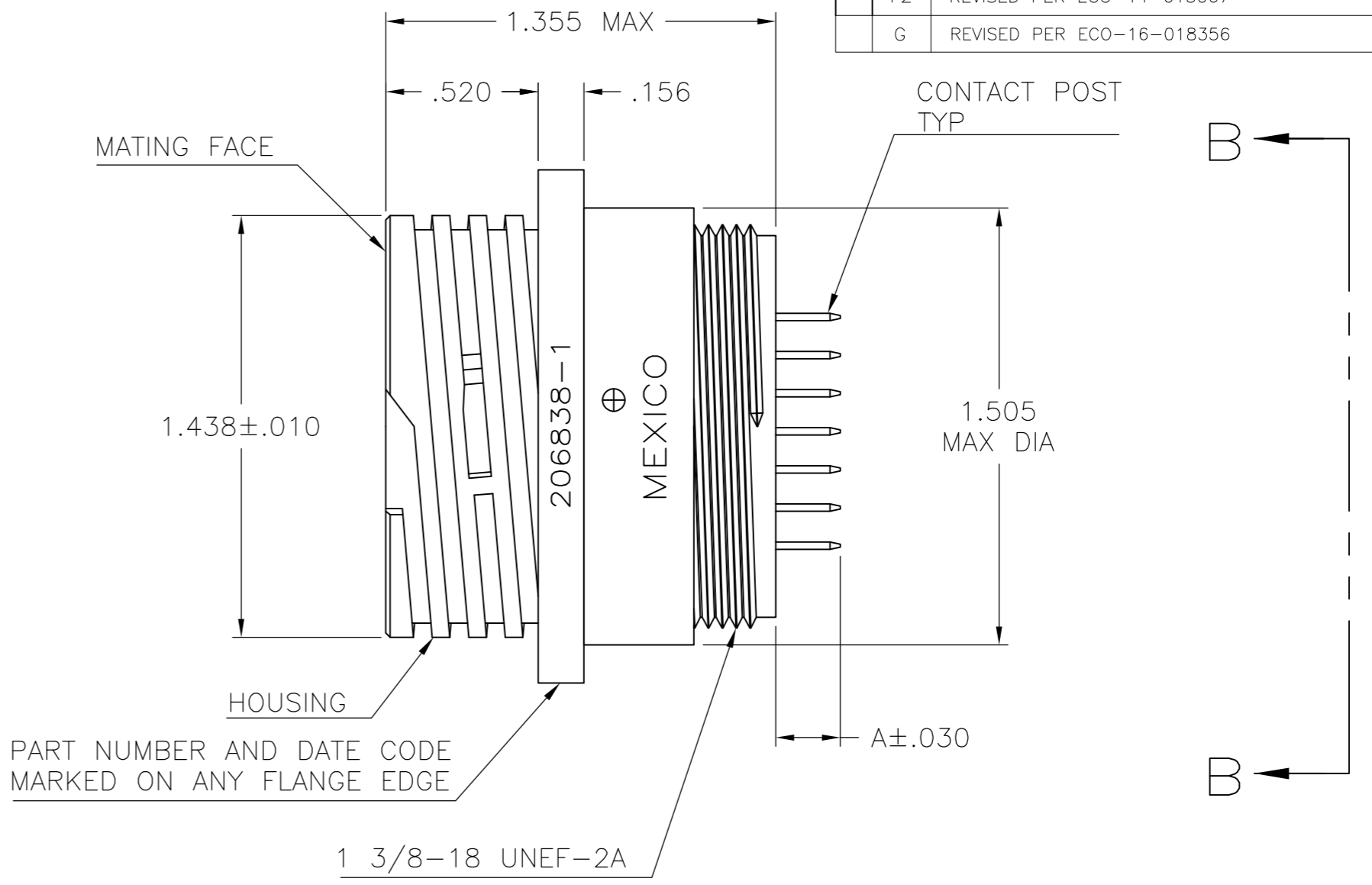
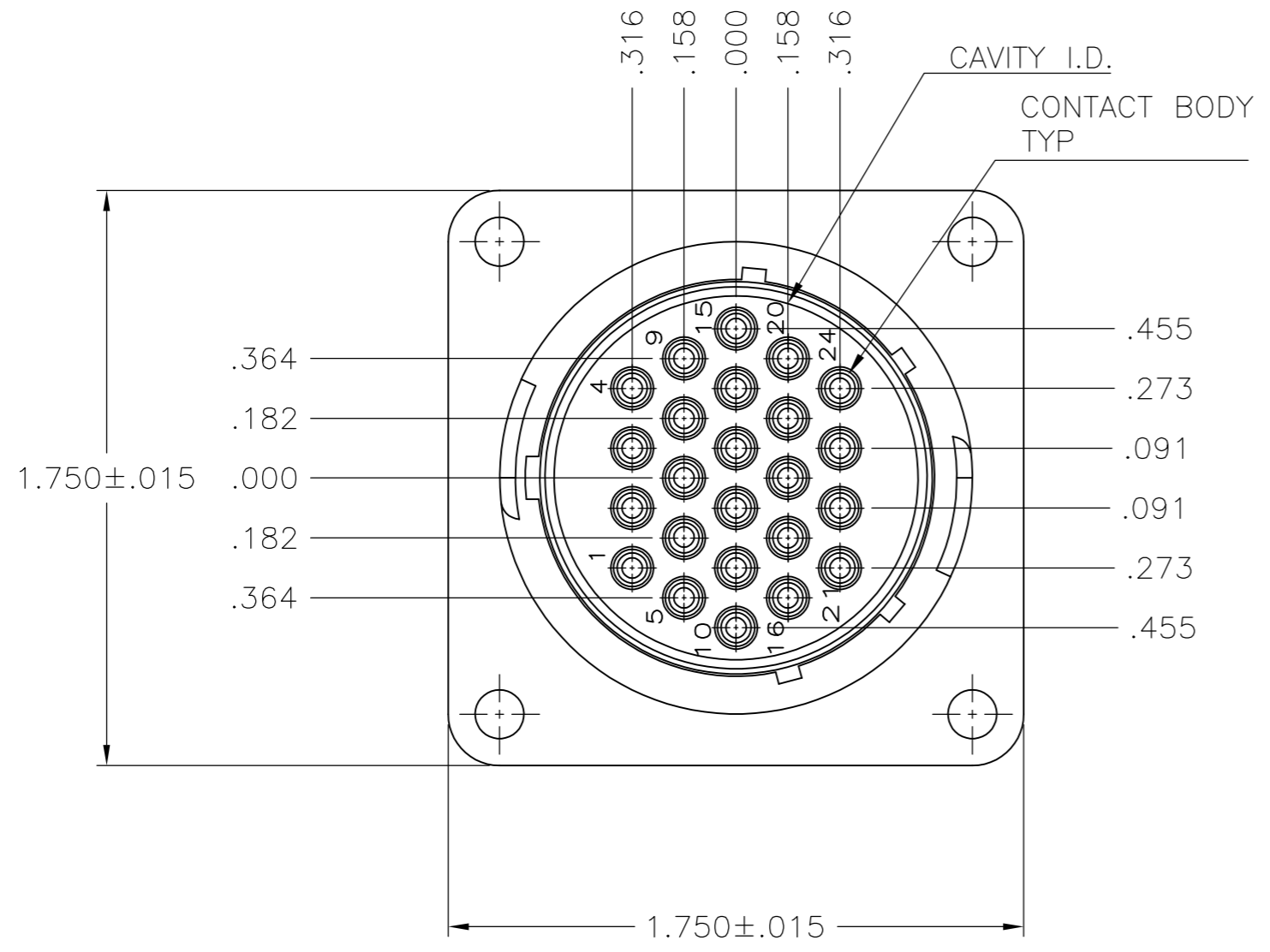
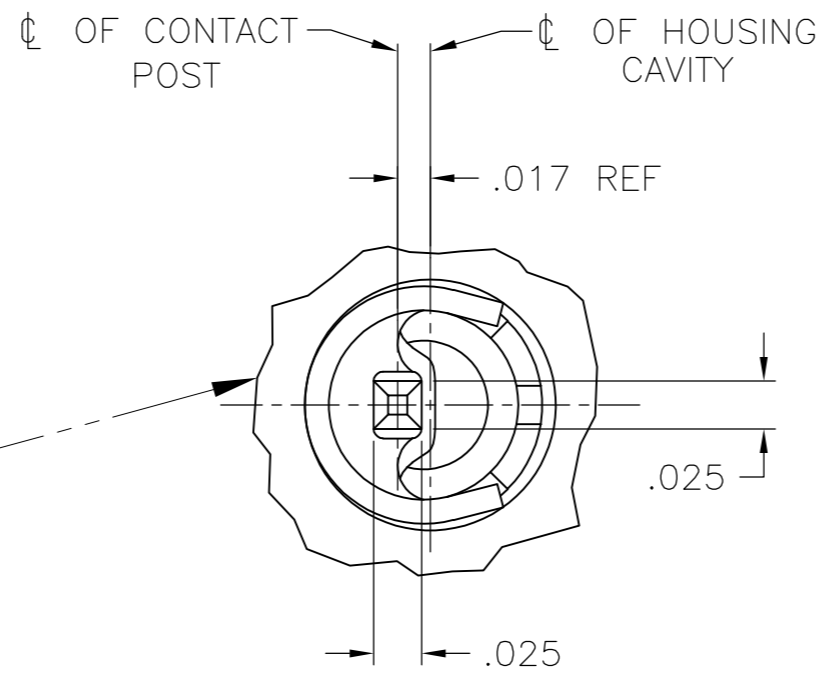
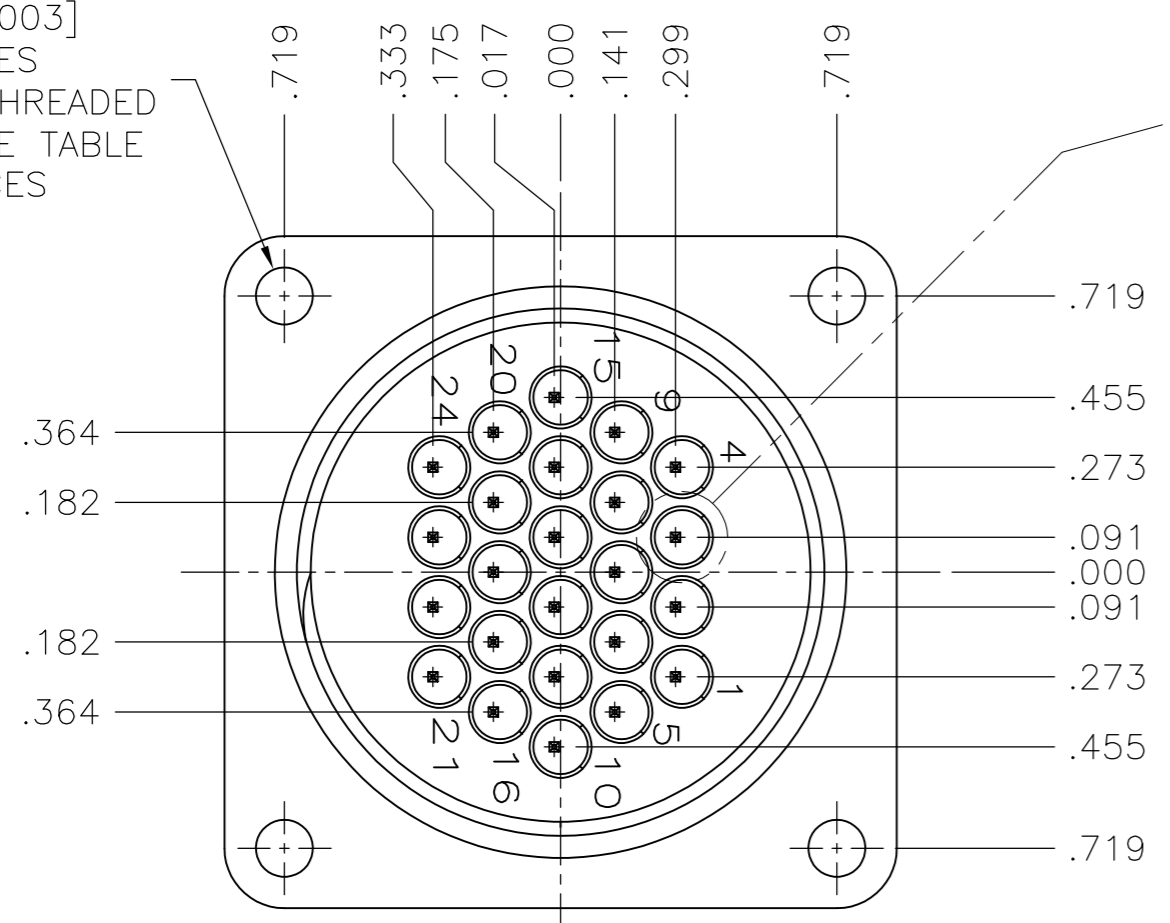


THIS DRAWING IS UNPUBLISHED. RELEASED FOR PUBLICATION  
 © COPYRIGHT - By - ALL RIGHTS RESERVED.

REVISIONS				
P	LTR	DESCRIPTION	DATE	APVD
F2		REVISED PER ECO-14-013067	27AUG2014	NK MZ
G		REVISED PER ECO-16-018356	22MAR2017	RS MZ



ø3.81 ± 0.08  
 [ø.150 ± .003]  
 4 HOLES  
 OR #4-40 THREADED  
 INSERTS, SEE TABLE  
 4 PLACES



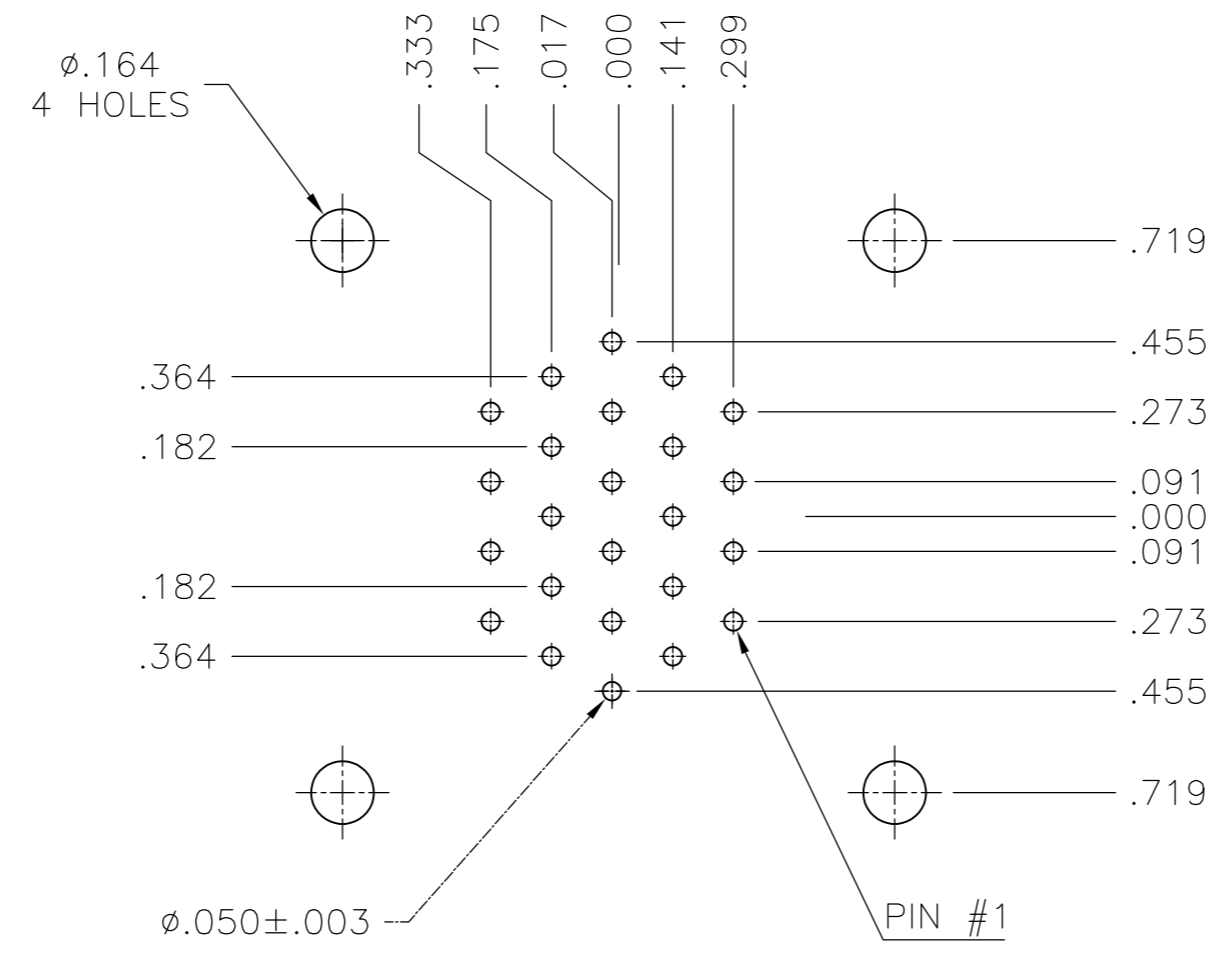
- 1 MATERIALS:  
 HOUSING: UL 94V-0, BLACK  
 CONTACT SPRING: STAINLESS STEEL  
 CONTACT BODY AND POST: BRASS  
 4-40 THREADED INSERT: BRASS
- 2 CONTACT BODY: .000030 MIN GOLD FOR A LENGTH OF .200 MIN FROM MATING END. GOLD FLASH ON CONTACT
- 3 CONTACT POST: .000100 MIN TIN-LEAD OVER .000050 MIN NICKEL.
- 4 CONTACT POST: .000100 MIN TIN OVER .000050 MIN NICKEL.
- 5 RECOMMENDED PC BOARD HOLE SIZE FOR CONTACT POST = .050 ± .003 DIA.

DIM A	THREADED INSERTS	POST FINISH	PART NUMBER
.267	YES	4	213780-5
.130	YES	4	213780-4
.220	YES	3	213780-3
.220	NO	4	213780-2
.220	NO	3	213780-1

THIS DRAWING IS A CONTROLLED DOCUMENT.		DWN W.LENKER 08/20/93	<b>TE</b> TE Connectivity	
DIMENSIONS: INCHES		CHK R.STONE 08/24/93		
TOLERANCES UNLESS OTHERWISE SPECIFIED:		APVD -	NAME	
0 PLC ± -	1 PLC ± -	PRODUCT SPEC 108-10024	RECEPTACLE ASSEMBLY, POSTED, STD SEX, SERIES 1, 23-24, CPC	
2 PLC ± .005	3 PLC ± -	APPLICATION SPEC 114-10038	SIZE A2	CAGE CODE 00779
4 PLC ± -	ANGLES ± -	WEIGHT -	DRAWING NO C=213780	RESTRICTED TO -
MATERIAL 1	FINISH -	CUSTOMER DRAWING	SCALE 2:1	SHEET 1 of 2

THIS DRAWING IS UNPUBLISHED. RELEASED FOR PUBLICATION  
 © COPYRIGHT - By - ALL RIGHTS RESERVED.

REVISIONS				
P	LTR	DESCRIPTION	DATE	APVD
-	-	SEE SHEET 1	-	-



RECOMMENDED P.C. BOARD LAYOUT  
 BOTTOM SIDE

THIS DRAWING IS A CONTROLLED DOCUMENT.		DWN W.LENKER 08/20/93		
DIMENSIONS: INCHES		CHK R.STONE 08/24/93		
		TOLERANCES UNLESS OTHERWISE SPECIFIED:	NAME	
MATERIAL		0 PLC ± - 1 PLC ± - 2 PLC ± .005 3 PLC ± - 4 PLC ± - ANGLES ± -	RECEPTACLE ASSEMBLY, POSTED, STD SEX, SERIES 1, 23-24, CPC	
FINISH		-	PRODUCT SPEC 108-10024	RESTRICTED TO
		WEIGHT	APPLICATION SPEC 114-10038	SIZE
CUSTOMER DRAWING		SCALE	114-10038	CAGE CODE
		2:1	A2 00779	DRAWING NO
		SHEET	C=213780	2 of 2
		REV	G	

213780

单击下面可查看定价，库存，交付和生命周期等信息

[>>TE Connectivity\(泰科\)](#)