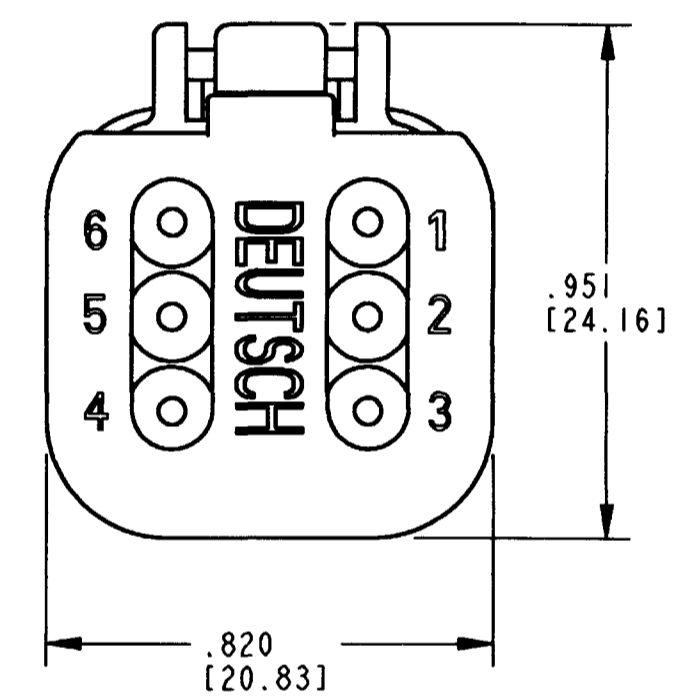
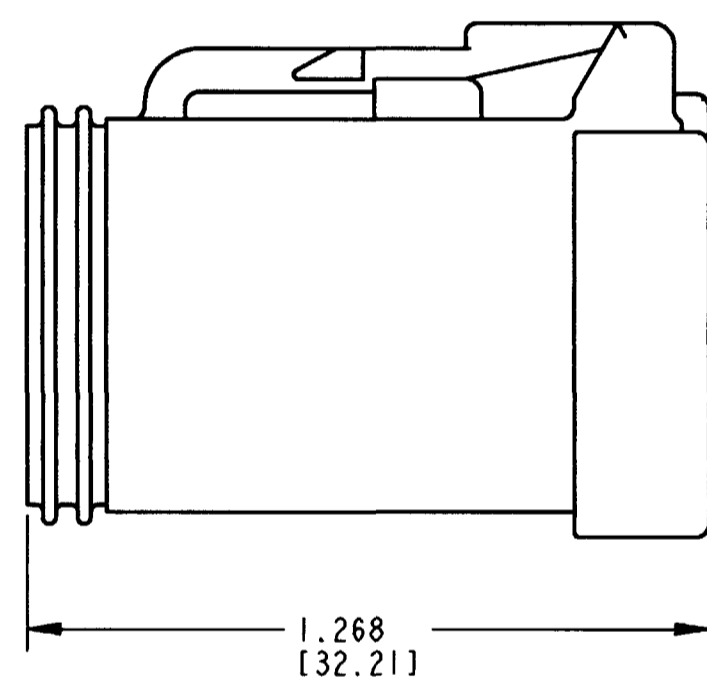
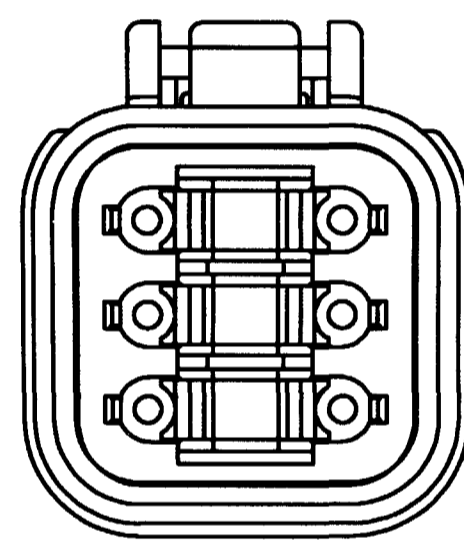


REV	DT06-6S-E005			REVISIONS	
A	SYM	DESCRIPTION	DATE	APPROVED	
	NC	NEW RELEASE PER E.O. A13781	3/19/92	J.A.	
	A	REVISED PER E.O. P17685	4-17-02	[Signature]	



5. SHELL MATERIAL: PLASTIC
SEAL MATERIAL: RUBBER
4. THIS PLUG MATES WITH DT04-6P-**** (**** = ALL MODIFICATION)
CONSULT FACTORY FOR MODIFICATIONS.
3. FOR CONTACTS AND WIRE PERFORMANCE AND APPLICATION CHARACTERISTICS,
SEE ENVELOPE DRAWINGS 0425-015-0000 AND 0425-017-0000.
2. ALL DIMENSIONS ARE ±.025 [0.64] UNLESS OTHERWISE SPECIFIED.
1. ALL DIMENSIONS ARE IN INCHES [MILLIMETERS].
- NOTES:

CONTACT SIZE	MIN. INSUL. O.D.	MAX. INSUL. O.D.	WIRE RANGE [mm ²] REF ONLY
16	.088 [2.24]	.145 [3.68]	14-20 AWG [2.0-0.5]

SIGNATURE & DATE		6 WAY PLUG -E005 MOD. COLOR: BLACK D.T. SERIES	CP		MATL. CODE
DR	X. SANCHEZ 22MAR02		The Deutsch Company DEUTSCH I.P.D. 3850 INDUSTRIAL AVE. HEMET, CALIF. 92545		B DT06-6S-E005
CHK	[Signature] 9/11/02				
PE	[Signature] 4/2/02				
APPD	[Signature] 4-9-02				
SCALE	NONE	WT	DWG. SIZE	CODE 11139	SHEET OF

ENVELOPE

单击下面可查看定价，库存，交付和生命周期等信息

[>>TE Connectivity\(泰科\)](#)