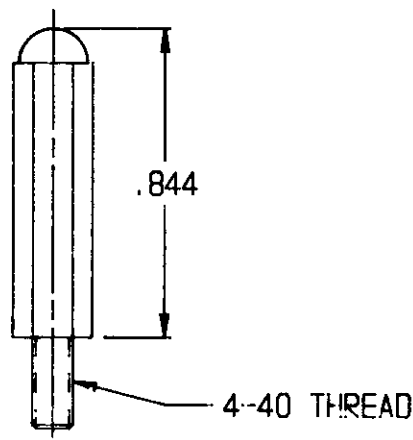
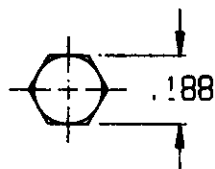


LOC AD	DIST 47	REVISIONS			
P	LYR	DESCRIPTION	DATE	DMN	APVD
	A	REVISED PER EC 0430-0037-97	6-13-97	JG	DM



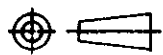
THIS DRAWING IS UNPUBLISHED.

RELEASED FOR PUBLICATION .18 . ALL RIGHTS RESERVED.

© COPYRIGHT 19 BY AMP INCORPORATED.

767522-1
PART
NUMBER

DIMENSIONS: INCHES	DWN J. GERACE	9-18-98	MATERIAL DELRIN	FINISH -
	GV P. MATAR	9-18-98	AMP AMP Incorporated Harrisburg, PA 17105-3608	
TOLERANCES UNLESS OTHERWISE SPECIFIED:	APVD A. MONK	9-18-98		
0 PLC ±-	PRODUCT SPEC	-	SIZE A4	CAGE CODE 00779
1 PLC ±-	APPLICATION SPEC	-	DRAWING NO C-767522	SCALE 2:1
2 PLC ±-	WEIGHT	-	SHEET 1 of 1	REV A
3 PLC ±.005	CUSTOMER DRAWING			
4 PLC ±-				
ANGLES ±-				



单击下面可查看定价，库存，交付和生命周期等信息

[>>TE Connectivity\(泰科\)](#)