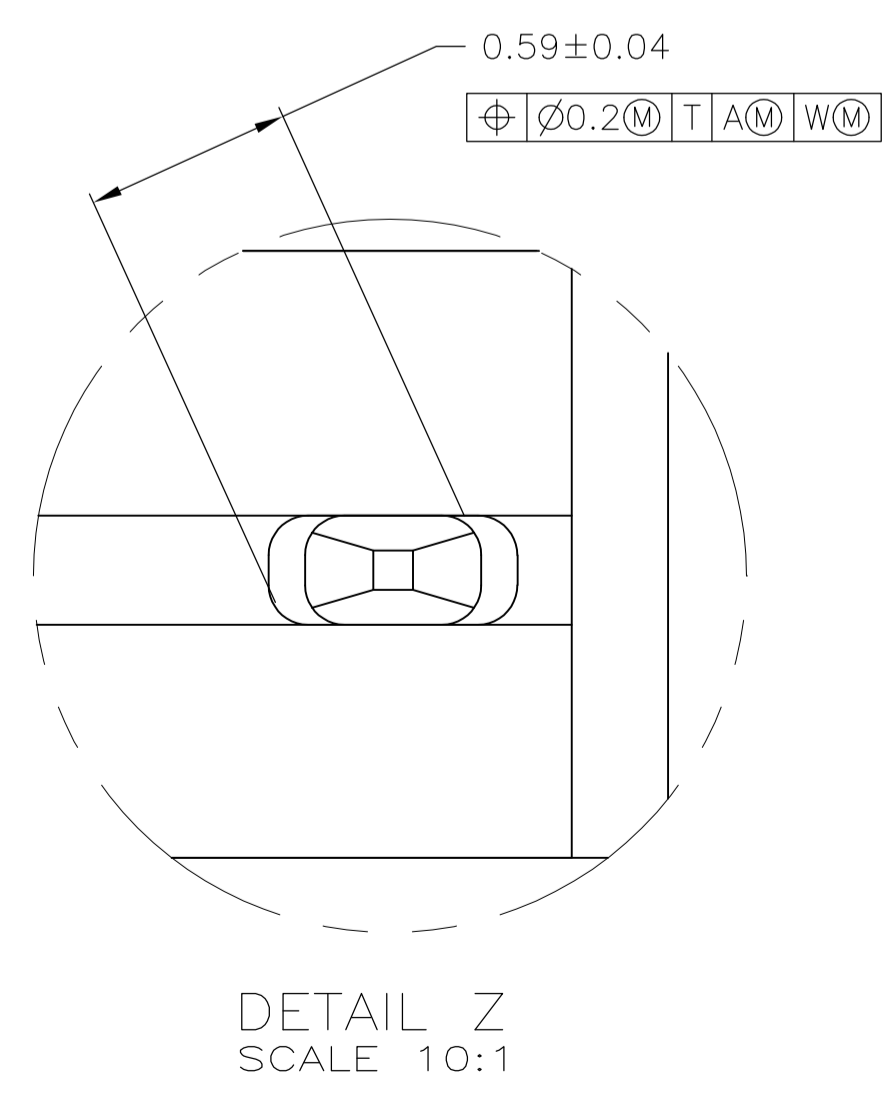
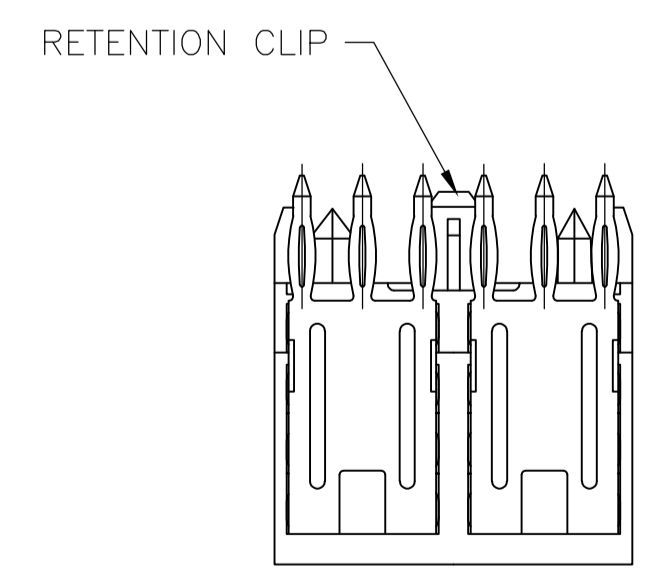
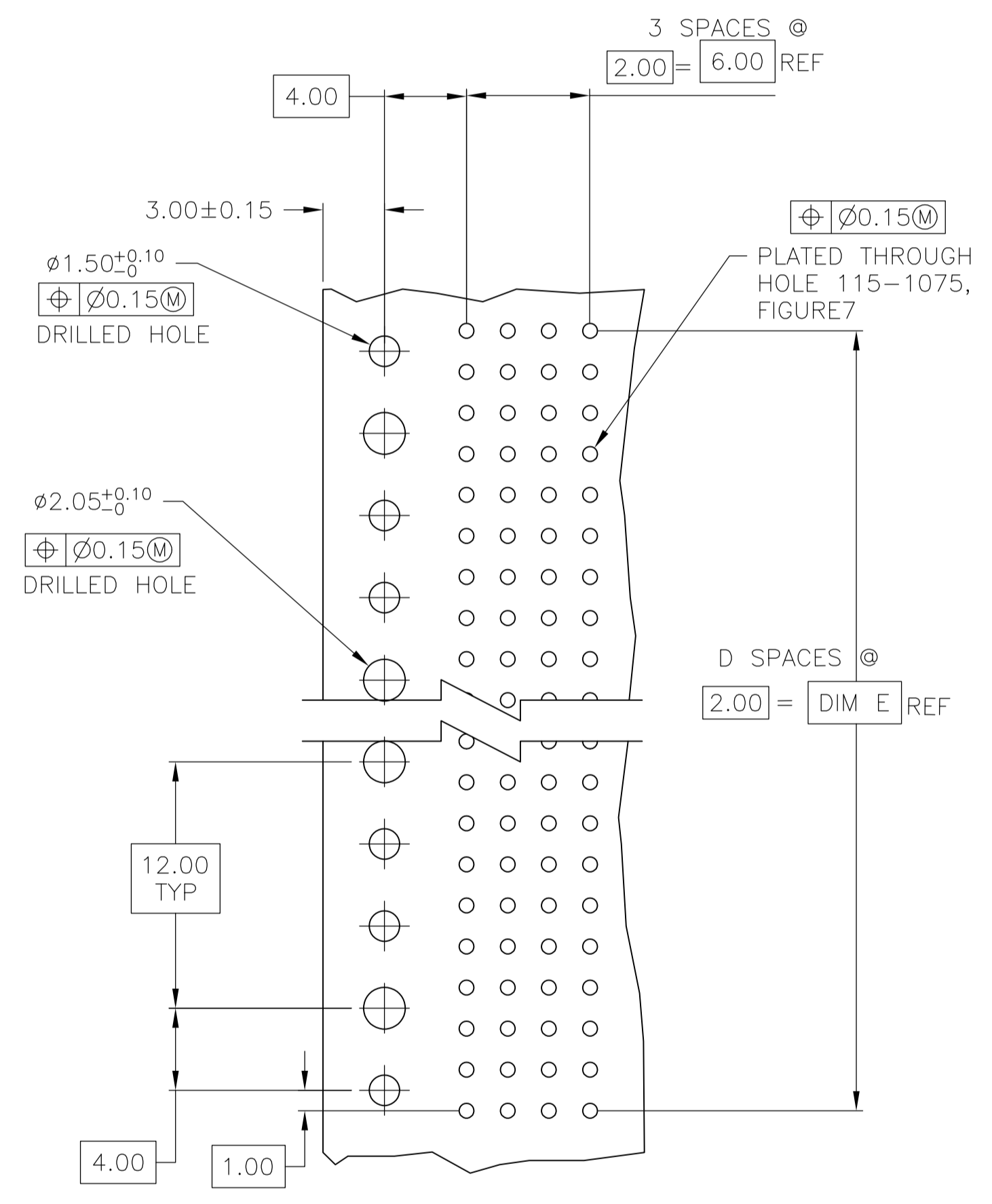
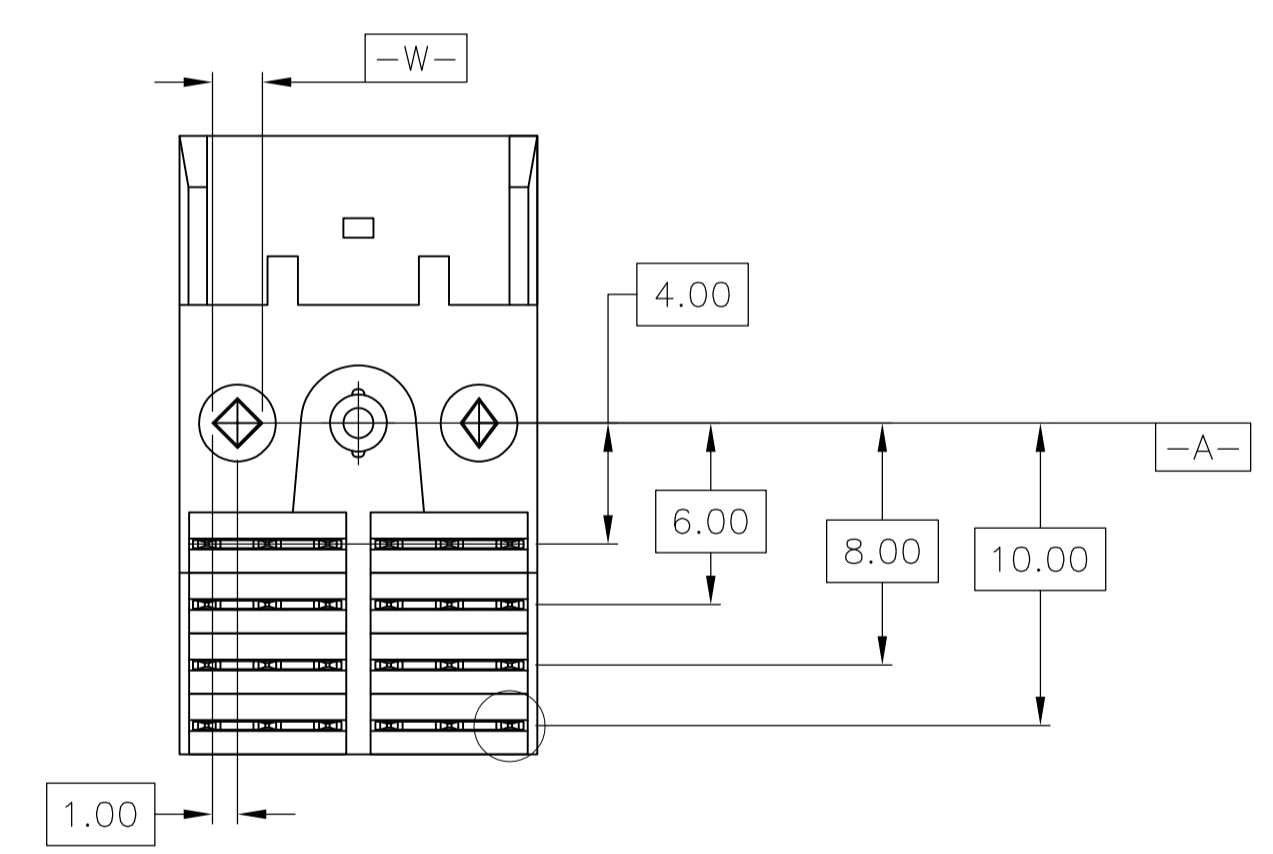
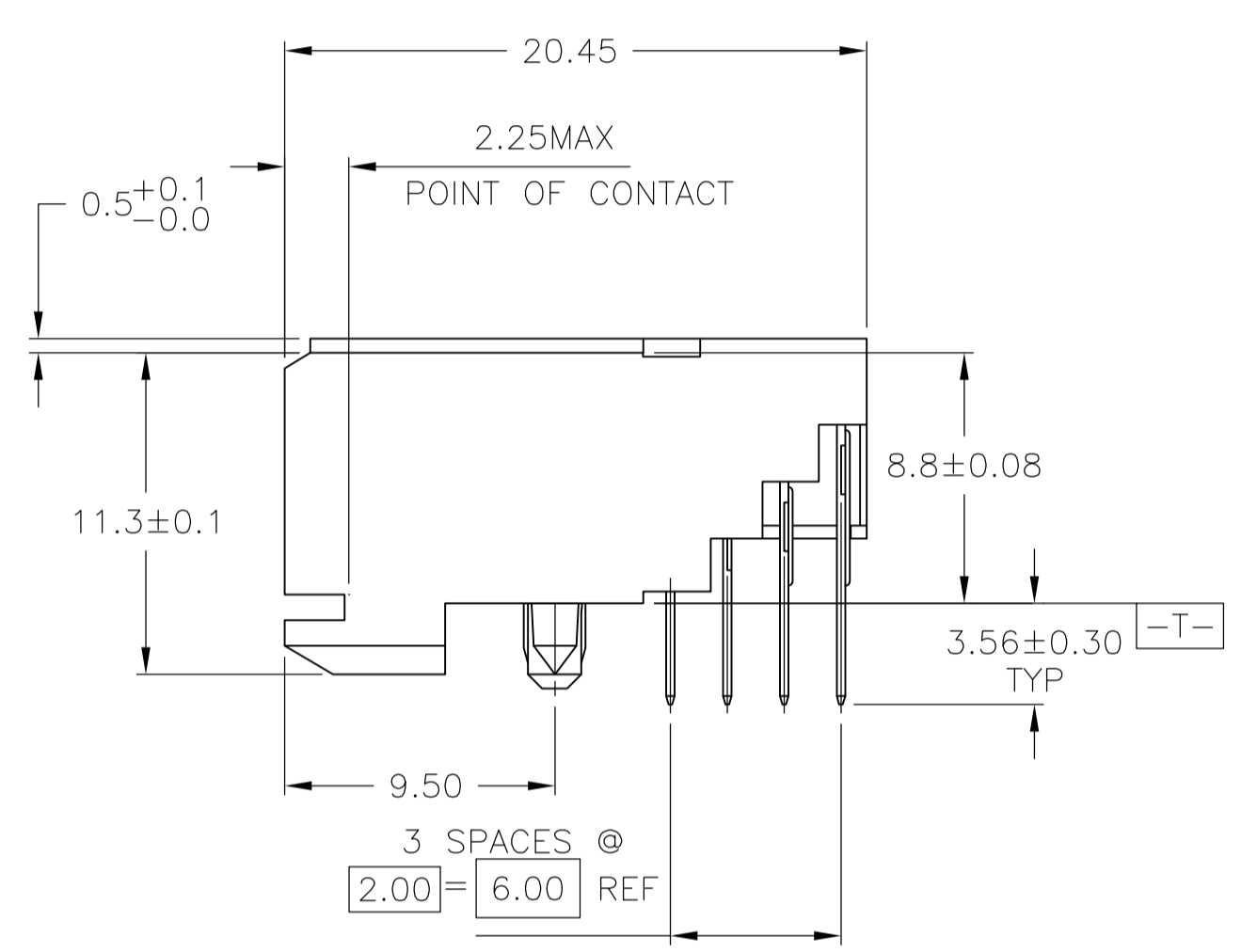
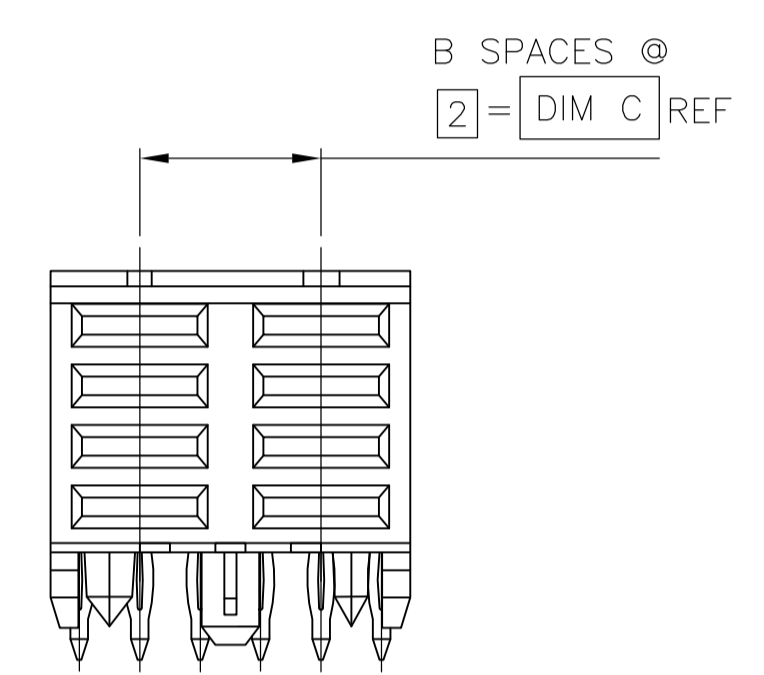
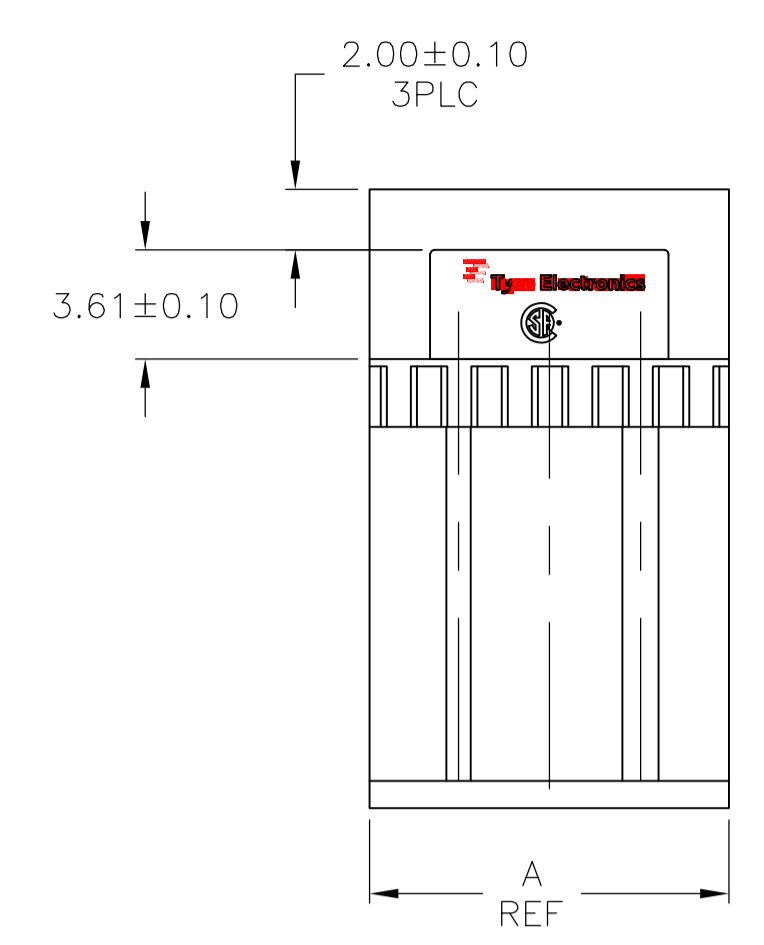


LOC		DIST		REVISIONS			
AD	00	REV	DATE	BY	CHK	APPV	
A	NEW DRAWING		23DEC11	KH	AS		

- 1 HOUSING MATERIAL: LIQUID CRYSTAL POLYMER.
- 2 CONTACT MATERIAL: PHOSPHOR-BRONZE.
- 3 CONTACT FINISH:(D)
 UNDERPLATE (ENTIRE CONTACT):
 0.00127 MIN NICKEL PER SAE-AMS-QQ-N-290
 ON MATING SURFACES:
 0.00076 MIN GOLD PER ASTM B488 OVER UNDERPLATE.
 ON LEADS:
 0.00127 MIN MATTE TIN PER ASTM B545 OVER UNDERPLATE.
 LUBRICATION (MIN MATING SURFACES):
 SURFACE CONDITIONER AFTER PLATING.



RECOMMENDED CIRCUIT PATTERN
 PER IPC-D300 TYPE II, CLASS C
 (COMPONENT SIDE)

10	5	6.00	1	11.88	3	8	5223174-1
E	D	C	B	A	FINISH	NO OF POSN	PART NUMBER
THIS DRAWING IS A CONTROLLED DOCUMENT.				DIM: KIRAN HOLAL 23DEC11 CHK: SHARPE ALEXANDER 23DEC11 APPV: SHARPE ALEXANDER 23DEC11 PRODUCT SPEC:		STE TE Connectivity	
DIMENSIONS: mm		TOLERANCES UNLESS OTHERWISE SPECIFIED:		NAME: ASSEMBLY, RECEPTACLE, 4 ROW, PRESS-FIT, 3.56, POWER, 2mm FB		RESTRICTED TO:	
0 PLC ± - 1 PLC ± - 2 PLC ± 0.13 3 PLC ± - 4 PLC ± - ANGLES ± -		FINISH:		SIZE: A1 CAGE CODE: 00779 DRAWING NO: 5223174		WEIGHT: - SCALE: 4:1 SHEET: 1 OF 1 REV: A	
MATERIAL: 1 2 3		CUSTOMER DRAWING		SCALE: 4:1		SHEET: 1 OF 1 REV: A	

单击下面可查看定价，库存，交付和生命周期等信息

[>>TE Connectivity\(泰科\)](#)