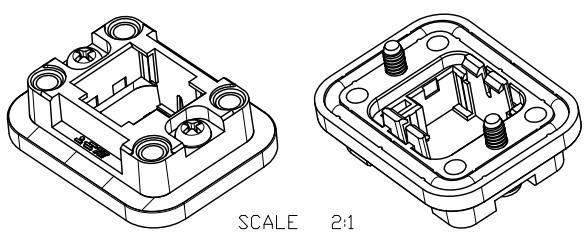
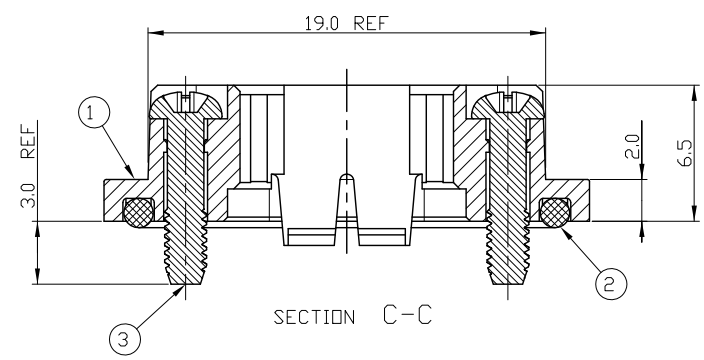
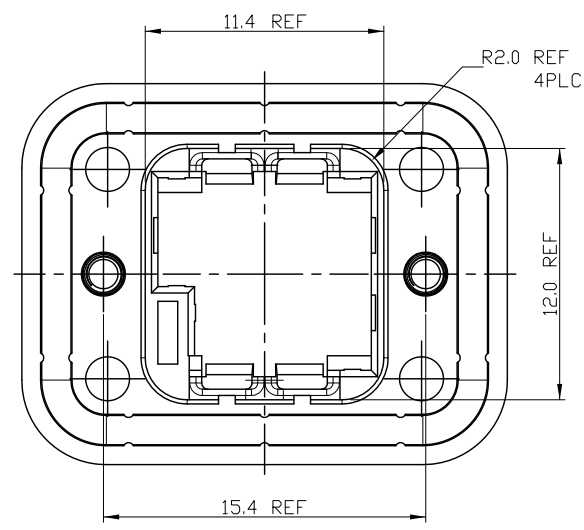
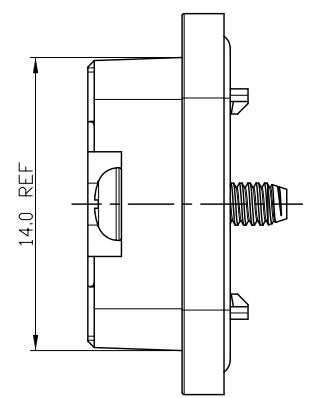
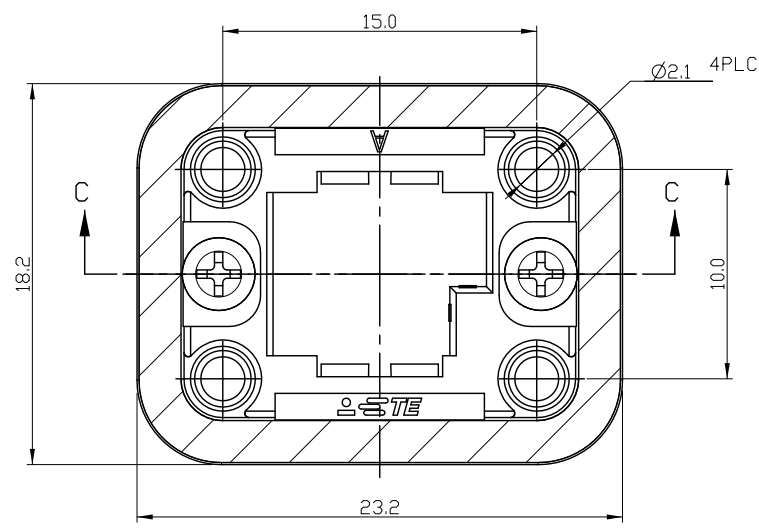


THIS DRAWING IS UNPUBLISHED. RELEASED FOR PUBLICATION 20
 © COPYRIGHT 20 BY - ALL RIGHTS RESERVED.

LOC	DIST	REVISIONS			
P	LTR	DESCRIPTION	DATE	DWN	APVD
DS	-	B	REVISED PER ECR-13-000460	21JAN'13	SC JK



ITEM	DESCRIPTION	MATERIAL	FINISH	COLOR	Q'TY	P/N
③	SCREW(M2) FOR ENCODER 9P BASE	STEEL	ZINK PL	BLACK	2	2108418-1
②	SEAL FOR ENCODER 9P BASE	SILICON	-	ORANGE	1	
①	ENCODER 9P BASE HSG	PA66 GF20,UL94 V-0	-	BLACK	1	

THIS DRAWING IS A CONTROLLED DOCUMENT.		DWN SC KIM	TE Connectivity ENCODER 9P BASE ASSY			
DIMENSIONS: mm		CHK BW KANG				NAME
TOLERANCES UNLESS OTHERWISE SPECIFIED: ± 0.3		APVD JK SONG				PRODUCT SPEC 108-61148
MATERIAL SEE TABLE		FINISH SEE TABLE				APPLICATION SPEC -
WEIGHT 1.87g		SIZE A3	CAGE CODE 00779	DRAWING NO C- 2108418	RESTRICTED TO -	
CUSTOMER DRAWING			SCALE 4:1	SHEET 1	DF 1	
					REV B	

单击下面可查看定价，库存，交付和生命周期等信息

[>>TE Connectivity\(泰科\)](#)