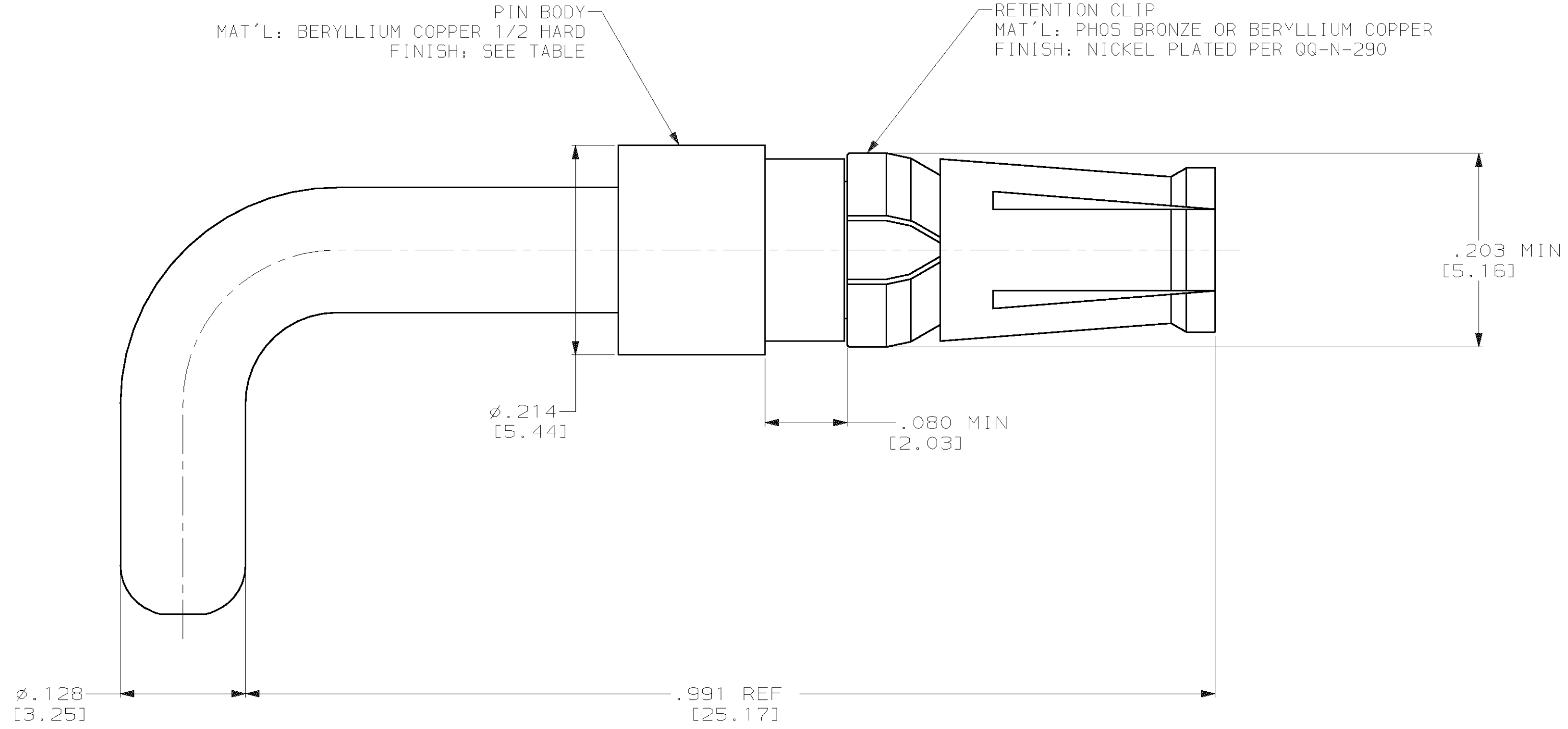


THIS DRAWING IS UNPUBLISHED. RELEASED FOR PUBLICATION, 19
 (C) COPYRIGHT 19 BY AMP INCORPORATED, ALL RIGHTS RESERVED.

LOC	DIST	REVISIONS			
P	LTR	DESCRIPTION	DATE	DWN	APVD
DF	DO	B	REV PER 063D-0012-01	7-03	CT DM

PIN BODY
 MAT'L: BERYLLIUM COPPER 1/2 HARD
 FINISH: SEE TABLE

RETENTION CLIP
 MAT'L: PHOS BRONZE OR BERYLLIUM COPPER
 FINISH: NICKEL PLATED PER QQ-N-290



PRELIMINARY NOT RELEASED FOR PRODUCTION	2	445548-2
	1	445548-1
	FINISH	PART NUMBER

- 1 FINISH: PLATED GOLD .000050 [0.00127] MIN THK PER MIL-G-45204 OVER NICKEL .000050 [0.00127] MIN THK PER QQ-N-290.
- 2 FINISH: PLATED GOLD .000030 [0.00076] MIN THK PER MIL-G-45204 OVER NICKEL .000050 [0.00127] MIN THK PER QQ-N-290.
- 3. MATES WITH ANY POWER VIII PIN CONTACT.

THIS DRAWING IS A CONTROLLED DOCUMENT.		DWN	C.C. THOMAS	11/10/00
DIMENSIONS: INCHES [mm]		CHK	D. MILLER	11/10/00
TOLERANCES UNLESS OTHERWISE SPECIFIED:		APVD	D. MILLER	11/10/00
0 PLC ±-		PRODUCT SPEC	-	
1 PLC ±-		APPLICATION SPEC	-	
2 PLC ±-		WEIGHT	-	
3 PLC ±.005 [0.13]		CUSTOMER DRAWING	SCALE 10:1 SHEET 1 OF 1 REV B	
4 PLC ±-				
ANGLES ±-				
MATERIAL SEE CALLOUTS		FINISH SEE TABLE		
		NAME ASSEMBLY, SOCKET CONTACT SIZE 8, P.C. BOARD MOUNT		
		SIZE	CAGE CODE	DRAWING NO
		A2	00779	C- 445548
		RESTRICTED TO		

单击下面可查看定价，库存，交付和生命周期等信息

[>>TE Connectivity\(泰科\)](#)