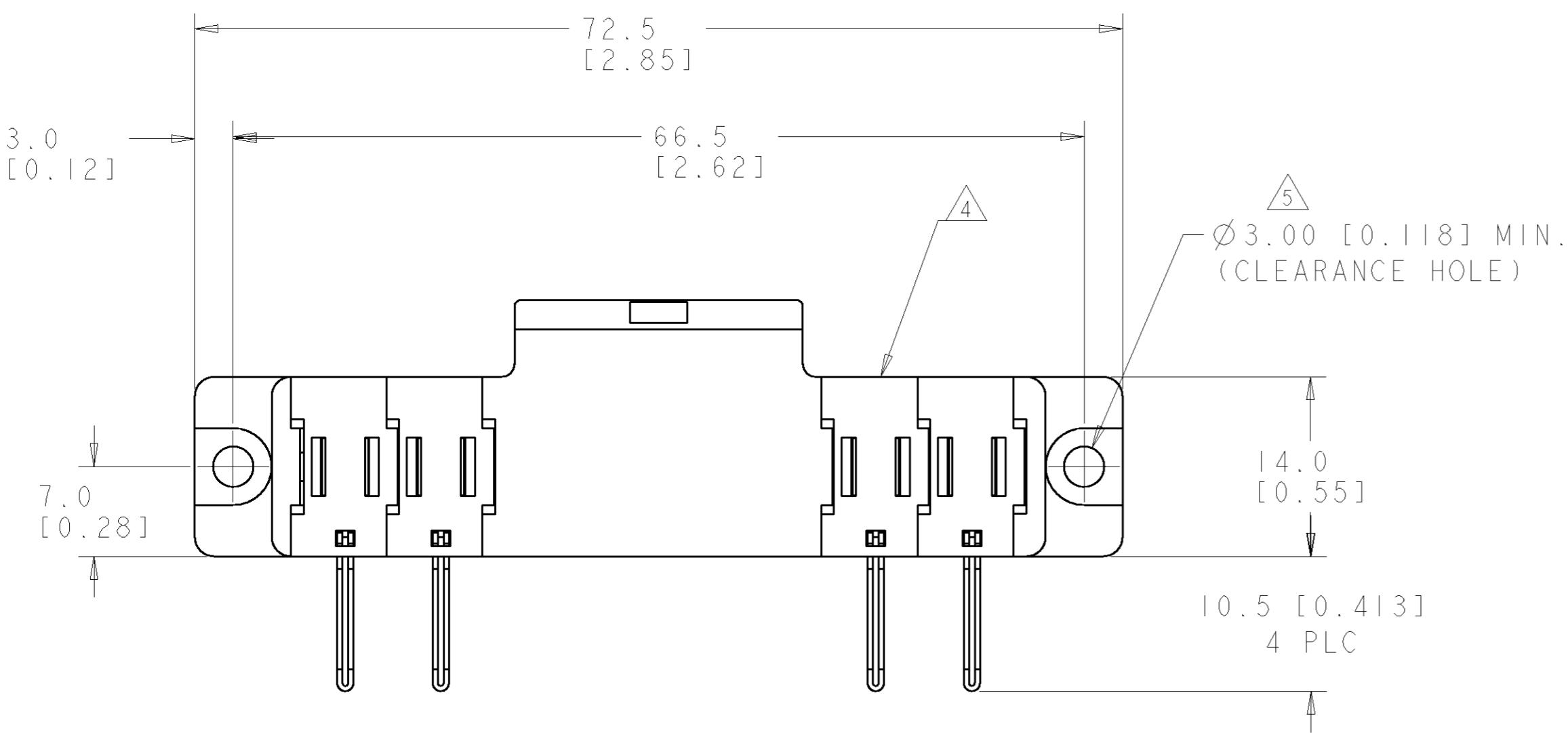


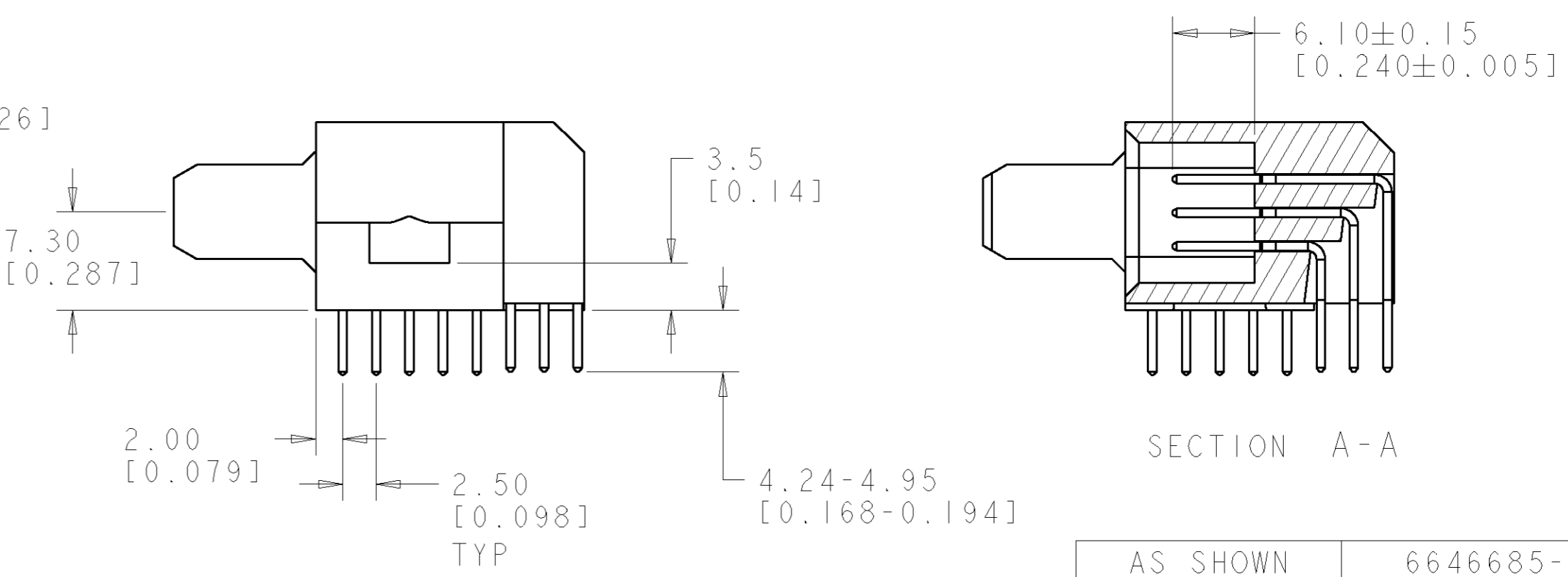
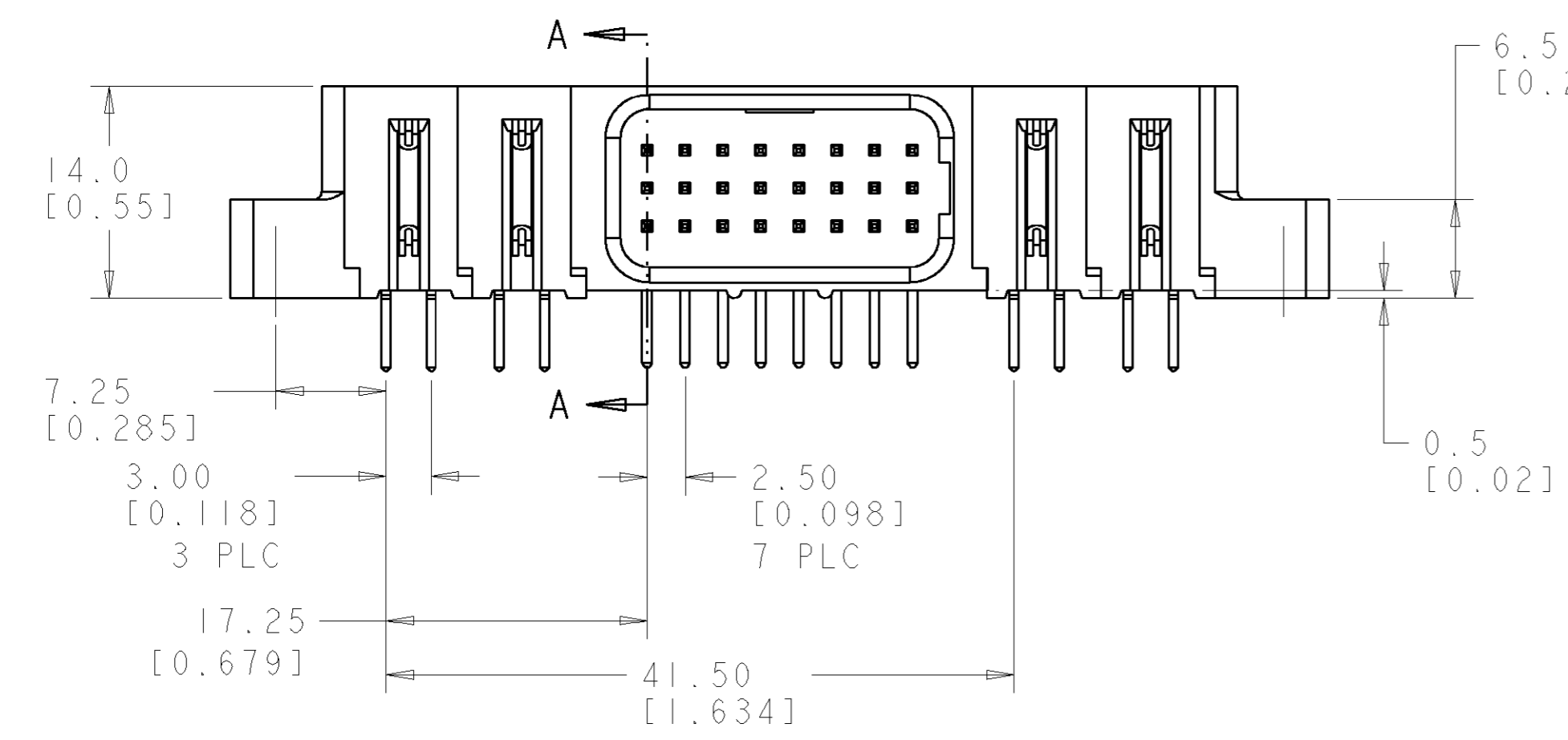
THIS DRAWING IS UNPUBLISHED. RELEASED FOR PUBLICATION 20  
 © COPYRIGHT 20 BY TYCO ELECTRONICS CORPORATION. ALL RIGHTS RESERVED.

LOC	DIST	REVISIONS					
GP	00	P	LTR	DESCRIPTION	DATE	DWN	APVD
			A	RELEASED	01AUG06	RG	DO



- PART NUMBER CHANGES AND OR DESIGN CHANGES AFFECTING ITEM INTERCHANGEABILITY REQUIRE PRIOR TYCO APPROVAL AND AUTHORIZATION BY REVISION TO THIS DRAWING.
  - MATERIAL:
    - INSULATORS - THERMOPLASTIC, GLASS REINFORCED, COLOR: BLACK, UL94V-0 FLAMMABILITY RATED.
    - POWER CONTACTS - PHOSPHOR BRONZE ALLOY, COPPER ALLOY
    - SIGNAL CONTACTS - BRASS ALLOY
  - FINISH:
    - CONTACTS - GOLD PLATE .000030 INCH MIN. THK. OVER NICKEL
    - .000050 INCH MIN. THK. SOLDER TAILS, TIN .000100 INCH MIN. THK. OVER .000050 MIN. THK. NICKEL.
- 4 ITEMS PROVIDED TO THIS SPECIFICATION TO BE PERMANENTLY IDENTIFIED PER THE FOLLOWING IDENTIFIER LABEL
- YEAR    WEEK
- TYCO PART NO. XXXXXXXX-X      DATE CODE (e.g. 0106) XXXX

- MOUNTING FLANGES ACCEPT M3 OR NO.4 SCREWS, (USER SUPPLIED)
- ELCON REFERENCE PART NUMBER DESIGNATION: 279-0088-10100A



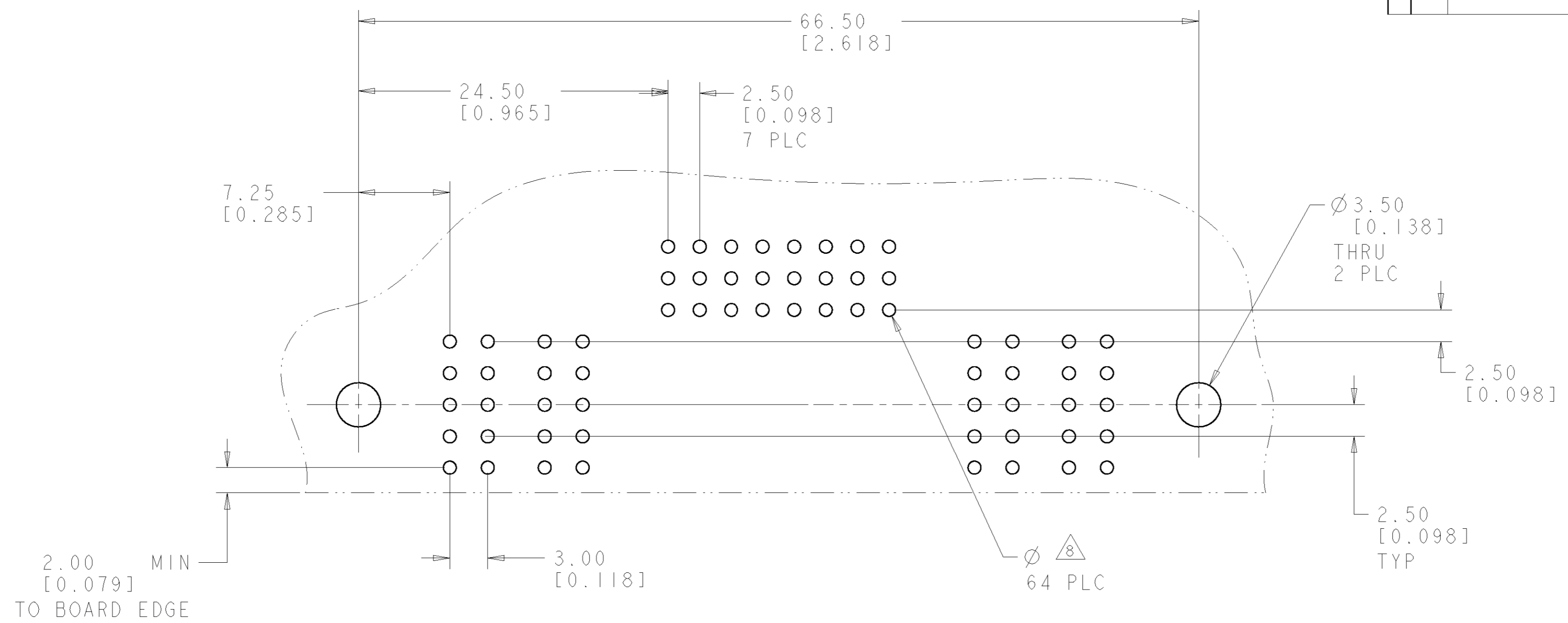
AS SHOWN	6646685-1
DESCRIPTION	PART NUMBER

<small>THIS DRAWING IS A CONTROLLED DOCUMENT FOR TYCO ELECTRONICS CORPORATION. IT IS SUBJECT TO CHANGE AND THE CONTROLLING ENGINEERING ORGANIZATION SHOULD BE CONTACTED FOR THE LATEST REVISION.</small>		DWN R. GRZYBOWSKI 01AUG06 CHK D. ORRIS 01AUG06 APVD S. FLICKINGER 01AUG06	<b>tyco</b> Tyco Electronics Harrisburg, PA 17105-3608
DIMENSIONS: mm [INCHES]	TOLERANCES UNLESS OTHERWISE SPECIFIED: 0 PLC ±.5 [0.020] 1 PLC ±.25 [0.010] 2 PLC ±.25 [0.010] 3 PLC ±.25 [0.010] 4 PLC ±.25 [0.010] ANGLES ±.5	NAME PRODUCT SPEC APPLICATION SPEC WEIGHT CUSTOMER DRAWING	NAME CONNECTOR, PIN, RIGHT ANGLE STANDARD, SOLDER TAILS FLATPAQ SIZE CAGE CODE DRAWING NO RESTRICTED TO
MATERIAL		WEIGHT CUSTOMER DRAWING	A200779C-6646685 SCALE 3:1 SHEET 1 OF 3 REV A

**ELCON FLATPAQ**

THIS DRAWING IS UNPUBLISHED. RELEASED FOR PUBLICATION 20  
 © COPYRIGHT 20 BY TYCO ELECTRONICS CORPORATION. ALL RIGHTS RESERVED.

LOC	DIST	REVISIONS					
GP	00	P	LTR	DESCRIPTION	DATE	DWN	APVD
		-		SEE SHEET 1	-	-	-



PRINTED CIRCUIT LAYOUT  
 COMPONENT SIDE

CONNECTOR	CATALOG MODULE #	QTY	SIZE NO.	CONTACT QTY	MATING PIN	MAX. CURRENT (PER CONTACT)	CONTACT SPACING	VOLTAGE RATING
PIN	FP105	4	8	4	1.25 X 7.00 [.049 X .276]	35 amps	7.50 [0.2953]	250
	FP302	1	22	24	.64 SQ. [.025]	3 amps	2.50 [0.0984]	125
	FP0500	1	LEFT MOUNTING FLANGE					
	FP0501	1	RIGHT MOUNTING FLANGE					

THIS DRAWING IS A CONTROLLED DOCUMENT FOR TYCO ELECTRONICS CORPORATION. IT IS SUBJECT TO CHANGE AND THE CONTROLLING ENGINEERING ORGANIZATION SHOULD BE CONTACTED FOR THE LATEST REVISION.

DWN: R. GRZYBOWSKI 01AUG06  
 CHK: D. ORRIS 01AUG06  
 APVD: S. ELLCKINGER 01AUG06

**tyco** Tyco Electronics  
 Harrisburg, PA 17105-3608

NAME: CONNECTOR, PIN, RIGHT ANGLE STANDARD, SOLDER TAILS FLATPAQ

SIZE: A2 CAGE CODE: 200779 DRAWING NO: 6646685 RESTRICTED TO: -

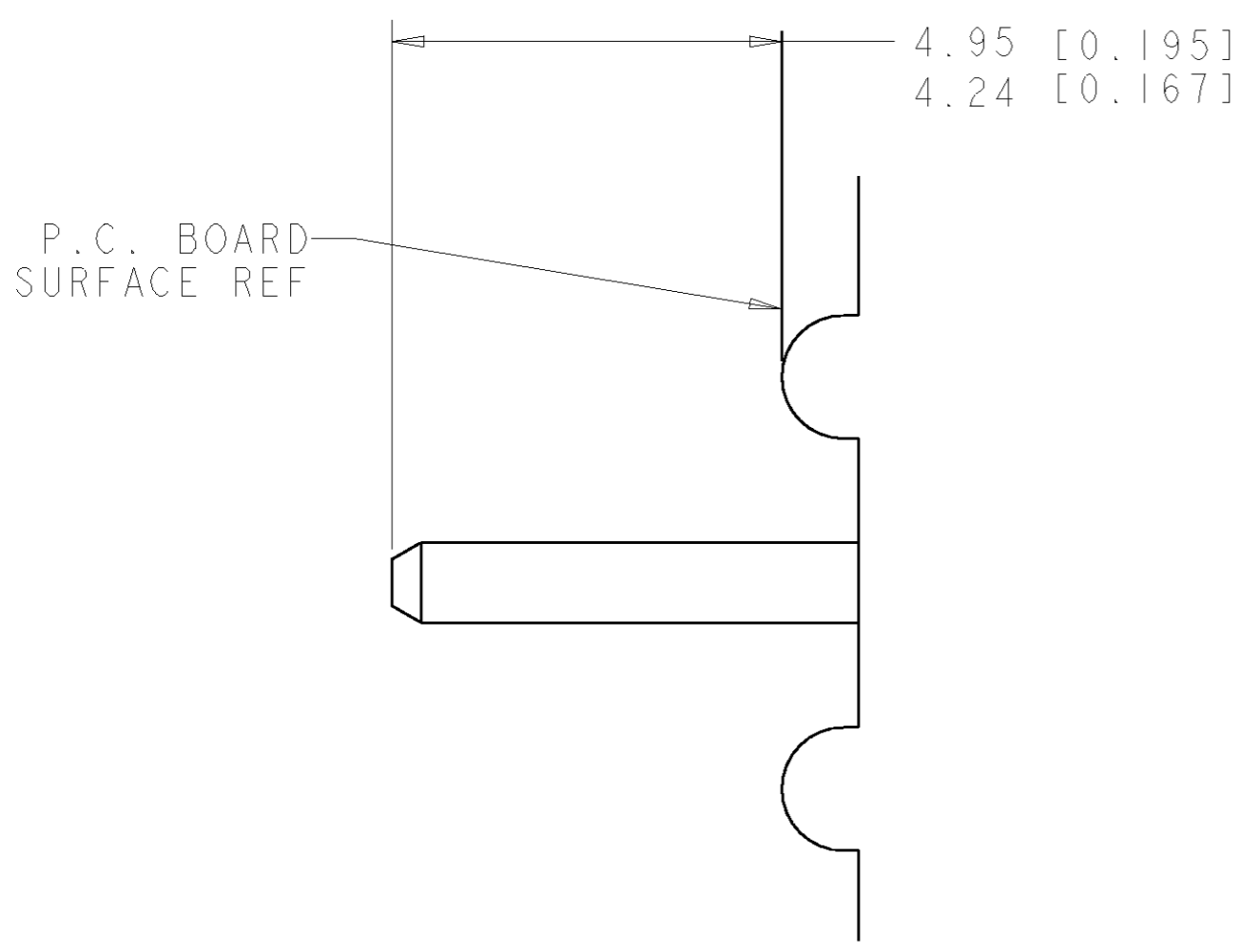
MATERIAL: - FINISH: - WEIGHT: -

CUSTOMER DRAWING SCALE: 3:1 SHEET 2 OF 3 REV A

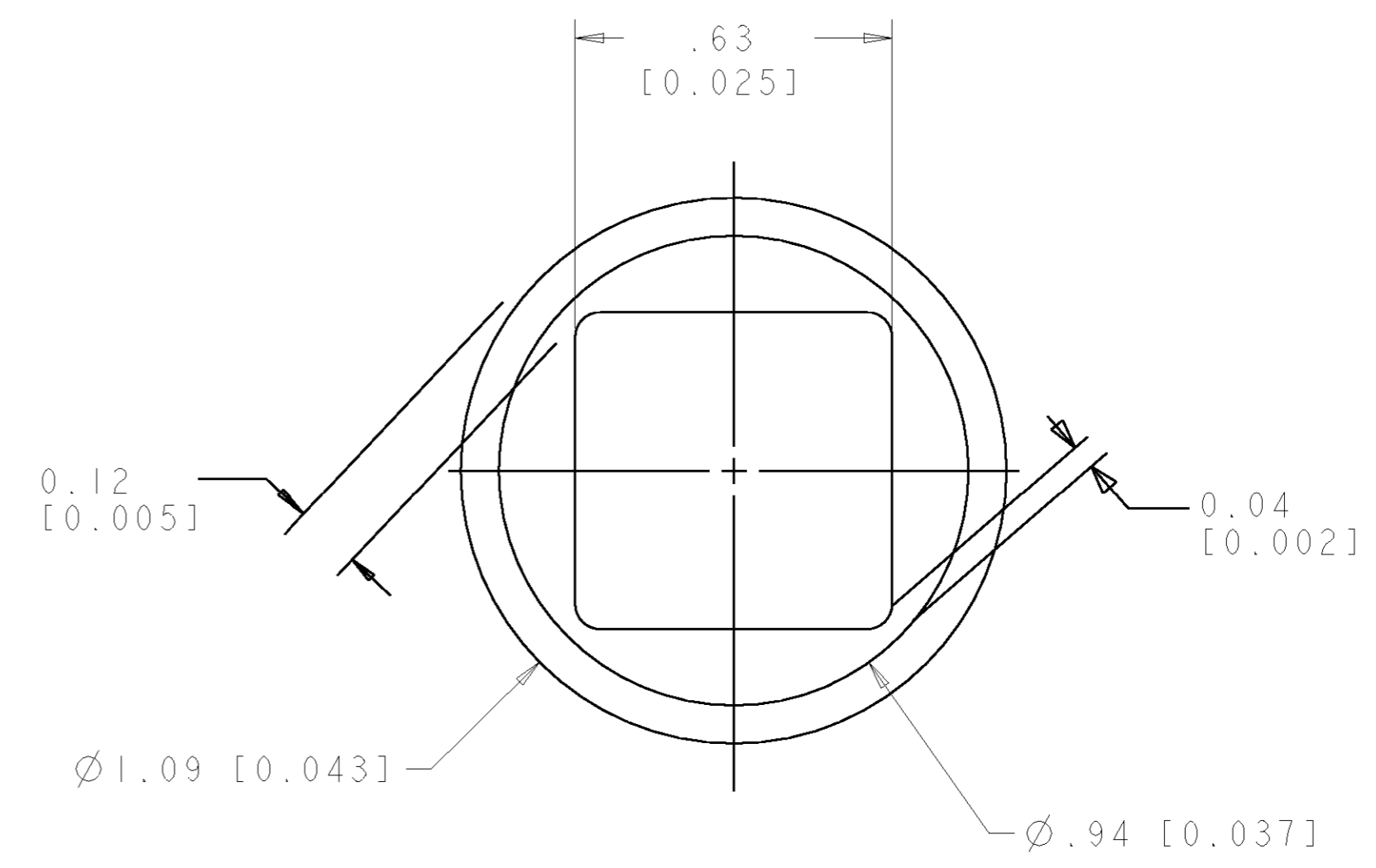
ELCON FLATPAQ

THIS DRAWING IS UNPUBLISHED. RELEASED FOR PUBLICATION 20  
 © COPYRIGHT 20 BY TYCO ELECTRONICS CORPORATION. ALL RIGHTS RESERVED.

LOC	DIST	REVISIONS			
P	LTR	DESCRIPTION	DATE	DWN	APVD
GP	00	-	SEE SHEET 1	-	-



7. SOLDER TAIL DETAIL  
SCALE 10 : 1



8 SOLDER TERMINATION AREA  
SCALE 40:1

RECOMMENDED PRINTED CIRCUIT HOLE  
 SOLDER HOLE  
 FINISHED HOLE: Ø1.02 [.040] ±.008 [.0003]  
 DRILLED HOLE: Ø1.15 [.0453] ±.013 [.0005]  
 COPPER PLATE: .025 [.0010] MIN  
 TIN PLATE: .008 [.0003] MIN. (PER SURFACE)

ELCON FLATPAQ

<small>THIS DRAWING IS A CONTROLLED DOCUMENT FOR TYCO ELECTRONICS CORPORATION          IT IS SUBJECT TO CHANGE AND THE CONTROLLING ENGINEERING ORGANIZATION          SHOULD BE CONTACTED FOR THE LATEST REVISION.</small>		DWN R. GRZYBOWSKI 01AUG06 CHK D. ORRIS 01AUG06 APVD S. FLICKINGER 01AUG06	<b>tyco</b> Tyco Electronics <b>Electronics</b> Harrisburg, PA 17105-3608
DIMENSIONS: mm [INCHES]	TOLERANCES UNLESS OTHERWISE SPECIFIED: 0 PLC ±- 1 PLC ±.5 [.020] 2 PLC ±.25 [.010] 3 PLC ±- 4 PLC ±- ANGLES ±.5 FINISH	NAME PRODUCT SPEC APPLICATION SPEC WEIGHT	NAME CONNECTOR, PIN, RIGHT ANGLE STANDARD, SOLDER TAILS FLATPAQ SIZE CAGE CODE DRAWING NO RESTRICTED TO A200779 C-6646685 -
MATERIAL -		CUSTOMER DRAWING SCALE 3:1 SHEET 3 OF 3 REV A	

单击下面可查看定价，库存，交付和生命周期等信息

[>>TE Connectivity\(泰科\)](#)