

THIS DRAWING IS UNPUBLISHED.

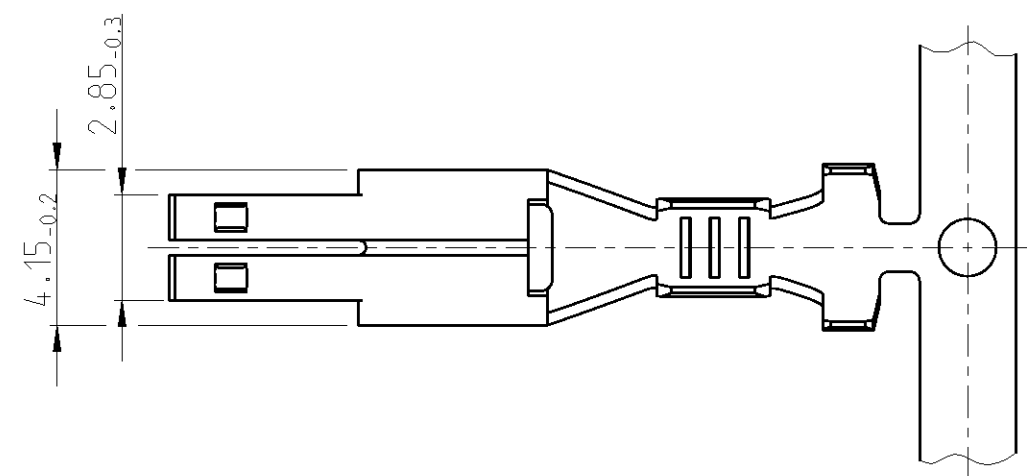
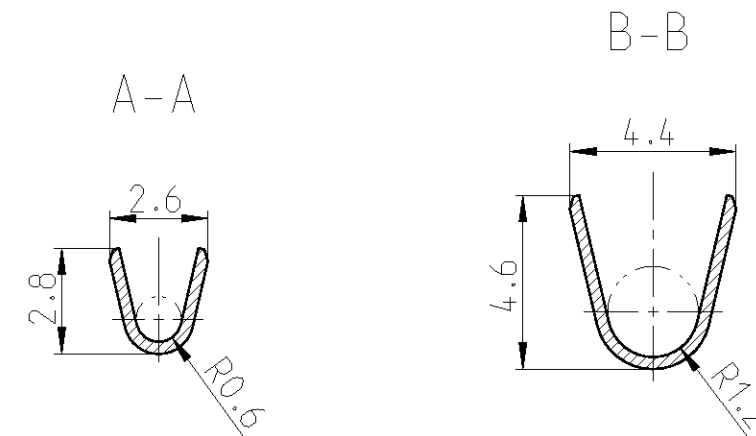
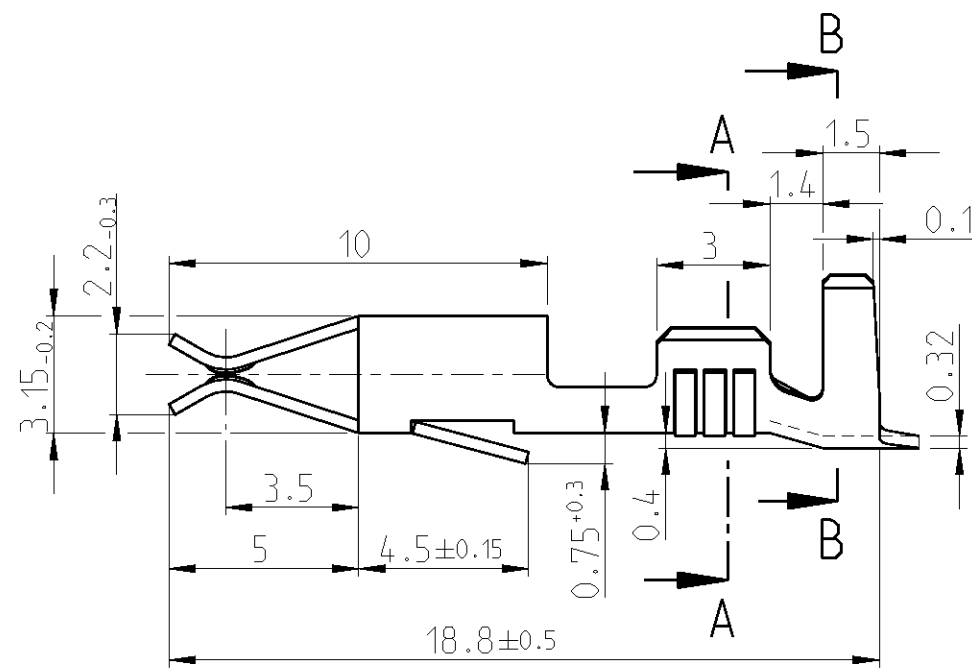
RELEASED FOR PUBLICATION

2013

© COPYRIGHT 2013 Tyco Electronics AMP GmbH

ALL RIGHTS RESERVED.

LOC	DIST	REVISIONS					
		P	LTR	DESCRIPTION	DATE	DWN	APVD
A1	-		2	Korrektur	30JAN1985	Widd	-
			3	Pos. -3 hinzu	19FEB1985	Widd	-
			4	an Produktionszeichnung angepasst	30APR1986	-	-
			B	New CAD drawing created.	20JUN2013	Kirs.	Eder




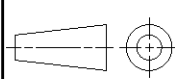
CONDUCTOR CROSS-SECTION IN mm <sup>2</sup> Leitungsquerschnitt in mm <sup>2</sup>		0.50	0.75	1.00	1.50	2.00	2.50	3.00	4.00	6.00
SINGLE CONNECTION Einzelanschlag		X	X							
0.50	X	X								
0.75	X									
1.00	X									
1.50										
2.00										
2.50										
3.00										
4.00										
6.00										

WIRE SIZE RANGE: 0.5-1.0mm<sup>2</sup>  
Drahtgroessenbereich: 0.5-1.0mm<sup>2</sup>

CRIMPING CONDUCTOR: FLK-WIRE  
CONDUCTOR: F-CRIMP  
INSULATION: F-CRIMP

angeschlagener Leiter: FLK-Leitung  
Leiter: F-Crimp  
Isolation: F-Crimp

927864-4	PRE SILVER	CuZn30	927863-4	B
927864-3	PRE GOLD	CuSn4	927863-3	B
927864-2	PRE TIN	CuSn6	927863-2	B
927864-1	PRE TIN	CuZn30	927863-1	B
LOOSE PIECE	FINISH	MATERIAL	STRIP PART	REV

THIS DRAWING IS A CONTROLLED DOCUMENT.		DWN J.W idder 16AUG1984	 TE Connectivity		
DIMENSIONS: mm		CHK Herth 05SEP1984			
TOLERANCES UNLESS OTHERWISE SPECIFIED: ±0.2		APVD C.Goennel 12JUN2013	NAME JUNIOR-TIMER CONTACT Junior-Timer Kontakt		
		PRODUCT SPEC -	RESTRICTED TO -		
MATERIAL -		APPLICATION SPEC -	SIZE A3	CAGE CODE 00779	DRAWING NO C-927863
FINISH -		WEIGHT -	SCALE 5:1 SHEET 1 OF 1 REV B		
		Customer Drawing			

单击下面可查看定价，库存，交付和生命周期等信息

[>>TE Connectivity\(泰科\)](#)