

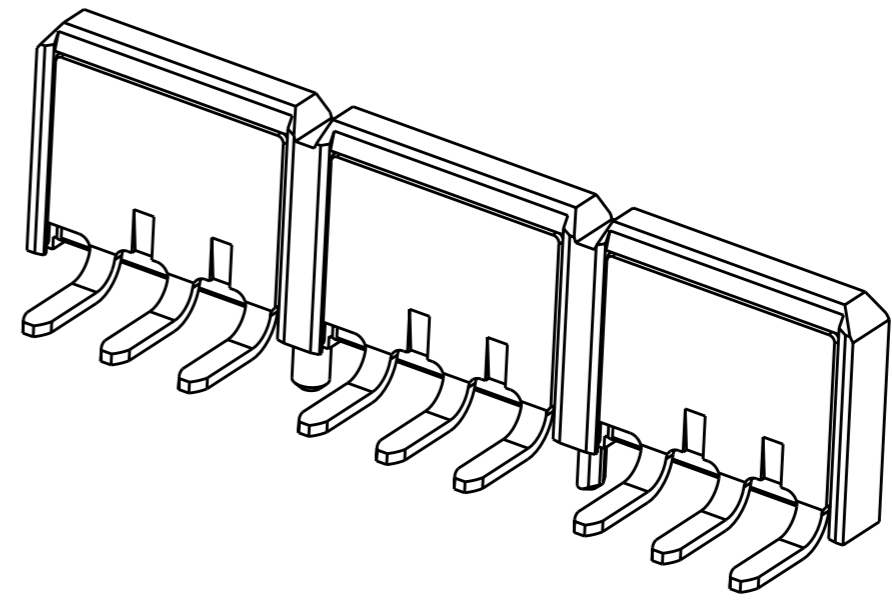
THIS DRAWING IS UNPUBLISHED. RELEASED FOR PUBLICATION 20
 © COPYRIGHT 20 BY TYCO ELECTRONICS CORPORATION. ALL RIGHTS RESERVED.

LOC	DIST	REVISIONS			
P	LTR	DESCRIPTION	DATE	DWN	APVD
GP	00	A	RELEASED PER ECO-09-017897	03AUG2009	RG RL

- PART NUMBER CHANGES AND OR DESIGN CHANGES AFFECTING ITEM INTERCHANGEABILITY REQUIRE PRIOR TYCO ELECTRONICS APPROVAL AND AUTHORIZATION BY REVISION TO THIS DRAWING.
- ITEMS PROVIDED TO THIS SPECIFICATION TO BE BAGGED AND TAG IDENTIFIED PER THE FOLLOWING IDENTIFIER:
 YEAR WEEK

TYCO ELECTRONICS P/N DATE CODE (e.g. 0425)
 XXXXXXXX-X XXXX

- 3 MATERIALS:
 INSULATOR: THERMOPLASTIC, HIGH TEMPERATURE, GLASSED REINFORCED
 COLOR: BLACK, UL94V-0 FLAMMABILITY
 CONTACTS: COPPER ALLOY
- 4 FINISH:
 CONTACT: SELECTIVELY GOLD PLATE 0.76µm MIN. THK. OVER NICKEL 1.27µm MIN THK.
 SOLDER TAILS: TIN PLATE 3.05µm MIN THK. OVER NICKEL 1.27µm MIN THK.
- 5. A REFERENCE DIMENSION (.XXX) IS WITHOUT TOLERANCE AND USED FOR INFORMATION PURPOSES ONLY.
- 6. SEE DRAWING C-6651712 FOR MATING SOCKET CONNECTOR.
- 7 DATUMS AND BASIC DIMENSIONS ESTABLISHED BY CUSTOMER.
- 8 PART IS SYMMETRICAL AND IS NOT INTENDED TO BE ORIENTED WHEN APPLIED TO PC BOARD.



AS SHOWN	2085196-1
DESCRIPTION	PART NO.

<small>THIS DRAWING IS A CONTROLLED DOCUMENT FOR TYCO ELECTRONICS CORPORATION. IT IS SUBJECT TO CHANGE AND THE CONTROLLING ENGINEERING ORGANIZATION SHOULD BE CONTACTED FOR THE LATEST REVISION.</small>		DWN 13MARCH2009 R. GRZYBOWSKI		Tyco Electronics Harrisburg, PA 17105-3608	
DIMENSIONS: mm		TOLERANCES UNLESS OTHERWISE SPECIFIED: 0 PLC ±- 1 PLC ±0.5 2 PLC ±0.25 3 PLC ±- 4 PLC ±- ANGLES ±2		NAME MC-P3S0 MINI CROWN EDGE BLADE CONNECTOR, SURFACE MOUNT SHORTENED, SPECIAL	
MATERIAL		FINISH		APVD 13MARCH2009 M. FERCHERKE	
PRODUCT SPEC -		APPLICATION SPEC -		SIZE CAGE CODE DRAWING NO RESTRICTED TO A300779 C-2085196 IBM	
WEIGHT -		RESRTRICTED CUSTOMER		SCALE 5:1 SHEET 1 OF 3 REV A	

4

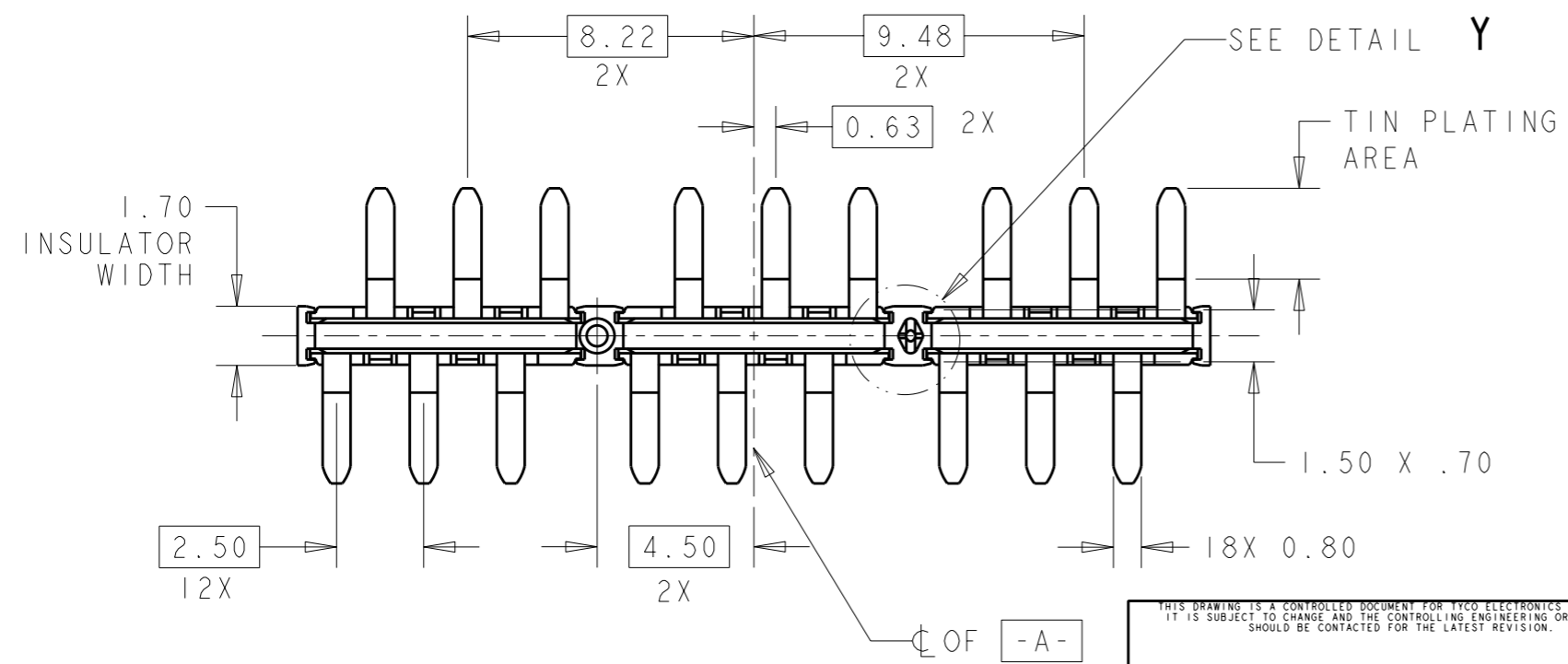
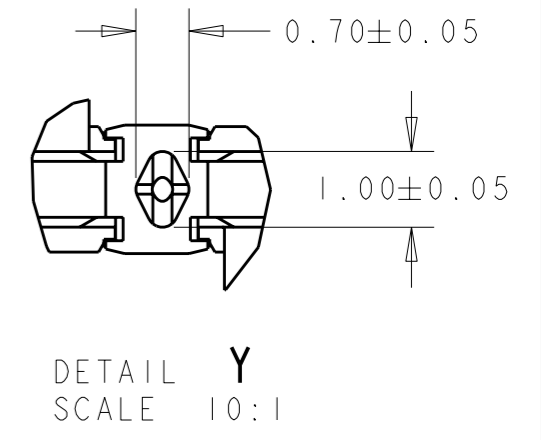
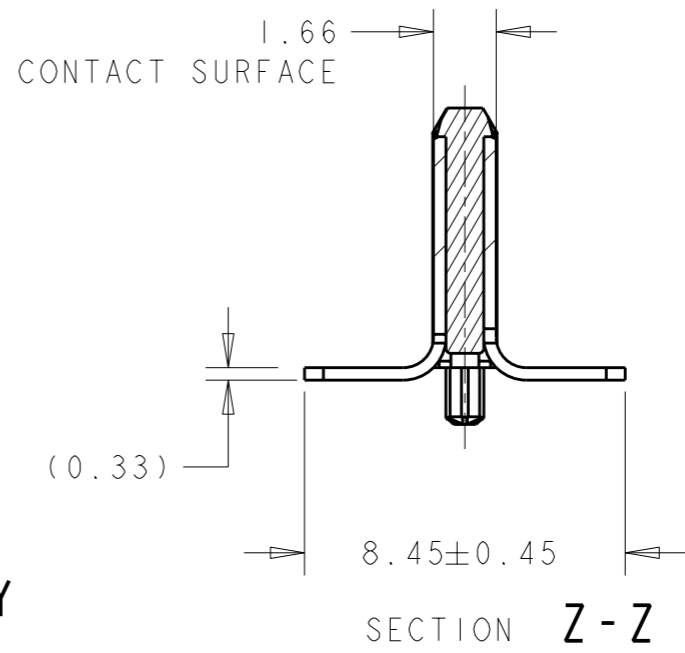
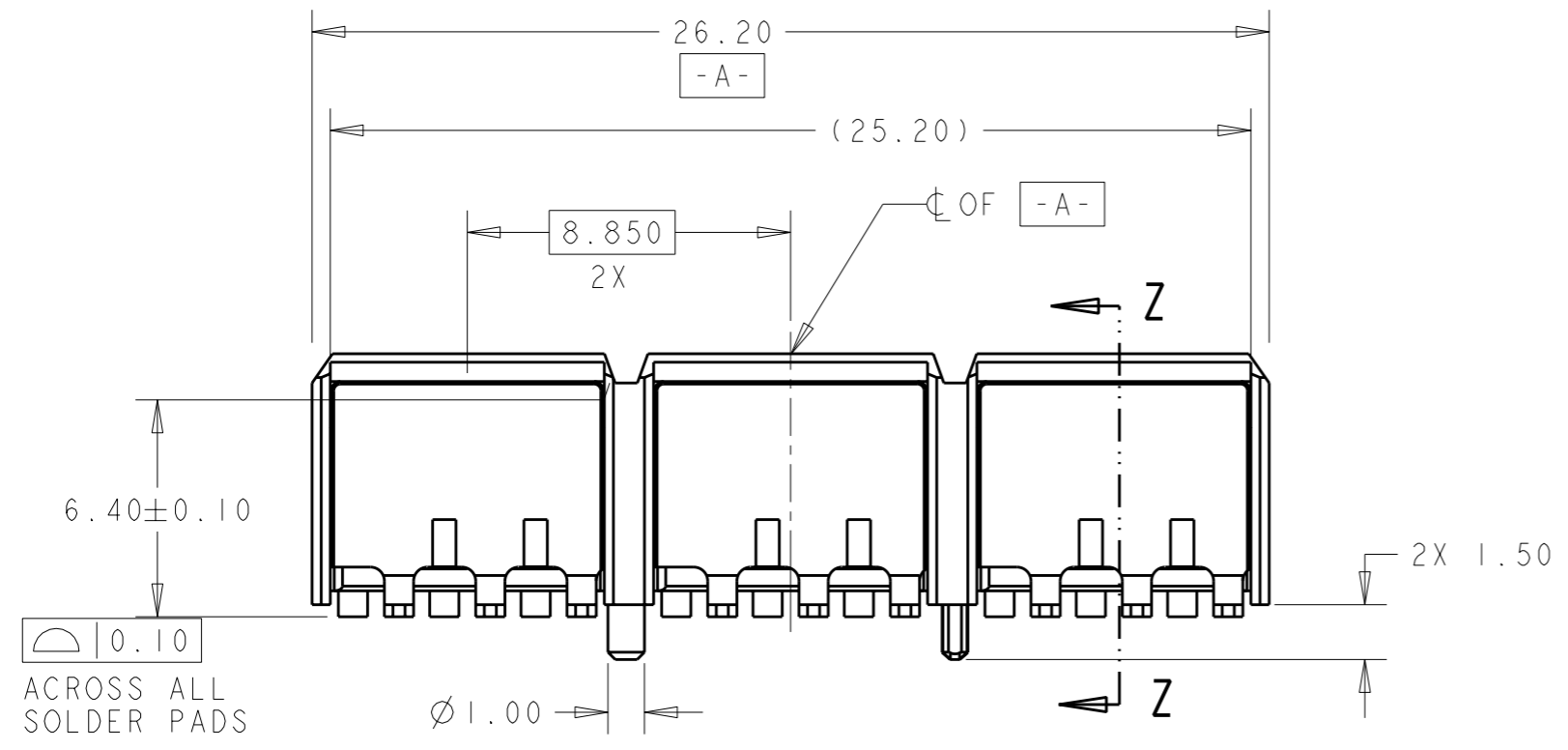
3

2

1

THIS DRAWING IS UNPUBLISHED. RELEASED FOR PUBLICATION 20
 © COPYRIGHT 20 BY TYCO ELECTRONICS CORPORATION. ALL RIGHTS RESERVED.

LOC	DIST	REVISIONS			
P	LTR	DESCRIPTION	DATE	DWN	APVD
GP	00	-	SEE SHEET 1	-	-

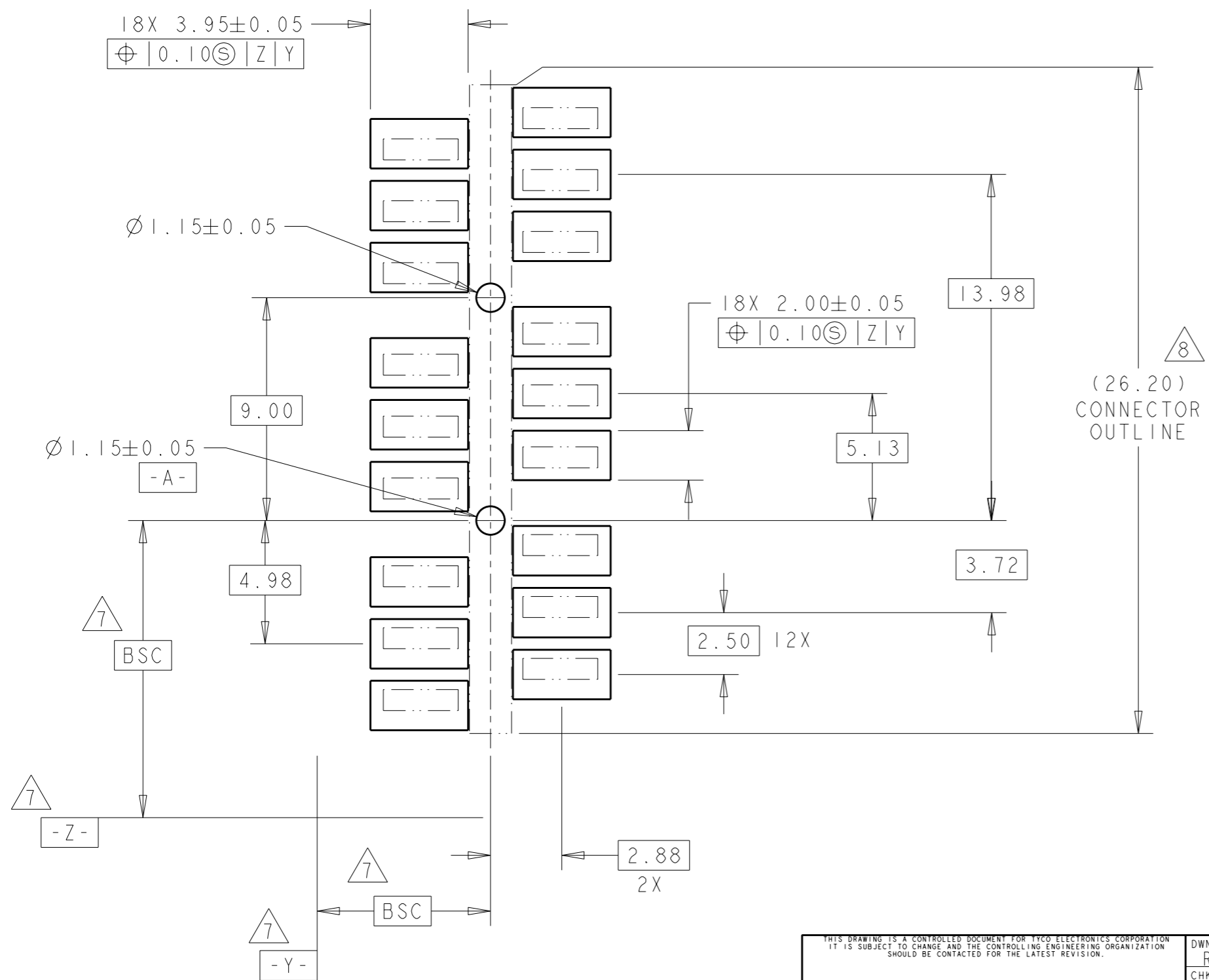


THIS DRAWING IS A CONTROLLED DOCUMENT FOR TYCO ELECTRONICS CORPORATION
 IT IS SUBJECT TO CHANGE AND THE CONTROLLING ENGINEERING ORGANIZATION
 SHOULD BE CONTACTED FOR THE LATEST REVISION.

DWN	R. GRZYBOWSKI	13MARCH2009	Tyco Electronics Harrisburg, PA 17105-3608
CHK	R. LANDON	13MARCH2009	
APVD	M. PERCHERKE	13MARCH2009	
PRODUCT SPEC	-	-	
APPLICATION SPEC	-	-	NAME
WEIGHT	-	-	MC-P3S0 MINI CROWN EDGE BLADE CONNECTOR, SURFACE MOUNT SHORTENED, SPECIAL
CUSTOMER DRAWING			SIZE
SCALE 5:1			CAGE CODE
SHEET 2 OF 3			DRAWING NO
REV A			RESTRICTED TO
-			A300779
-			C-2085196

THIS DRAWING IS UNPUBLISHED. RELEASED FOR PUBLICATION 20
 © COPYRIGHT 20 BY TYCO ELECTRONICS CORPORATION. ALL RIGHTS RESERVED.

LOC	DIST	REVISIONS			
P	LTR	DESCRIPTION	DATE	DWN	APVD
GP	00	SEE SHEET 1	-	-	-



RECOMMENDED SOLDER LAND GUIDELINE
 AS VIEWED FROM CONNECTOR SIDE

<small>THIS DRAWING IS A CONTROLLED DOCUMENT FOR TYCO ELECTRONICS CORPORATION IT IS SUBJECT TO CHANGE AND THE CONTROLLING ENGINEERING ORGANIZATION SHOULD BE CONTACTED FOR THE LATEST REVISION.</small>		DWN 13MARCH2009 R. GRZYBOWSKI CHK 13MARCH2009 R. LANDON APVD 13MARCH2009 M. PERCHERKE		Tyco Electronics Harrisburg, PA 17105-3608	
DIMENSIONS: mm		TOLERANCES UNLESS OTHERWISE SPECIFIED: 0 PLC ±- 1 PLC ±0.5 2 PLC ±0.25 3 PLC ±- 4 PLC ±- ANGLES ±2		NAME MC-P3S0 MINI CROWN EDGE BLADE CONNECTOR, SURFACE MOUNT SHORTENED, SPECIAL	
MATERIAL -		FINISH -		PRODUCT SPEC - APPLICATION SPEC - WEIGHT -	
CUSTOMER DRAWING		SCALE 5:1		SHEET 3 OF 3 REV A	

单击下面可查看定价，库存，交付和生命周期等信息

[>>TE Connectivity\(泰科\)](#)