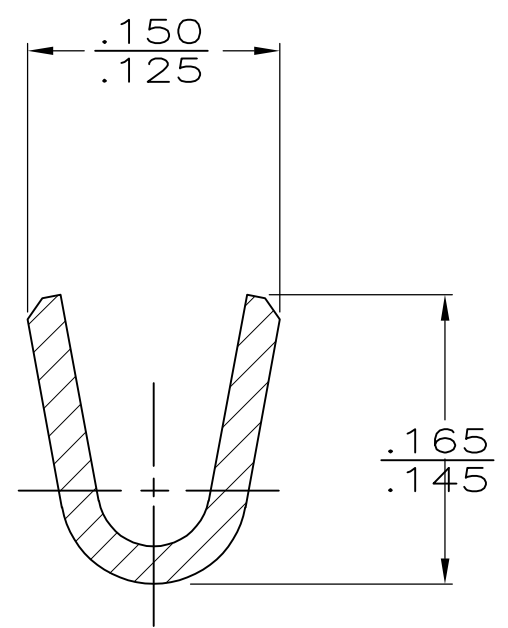
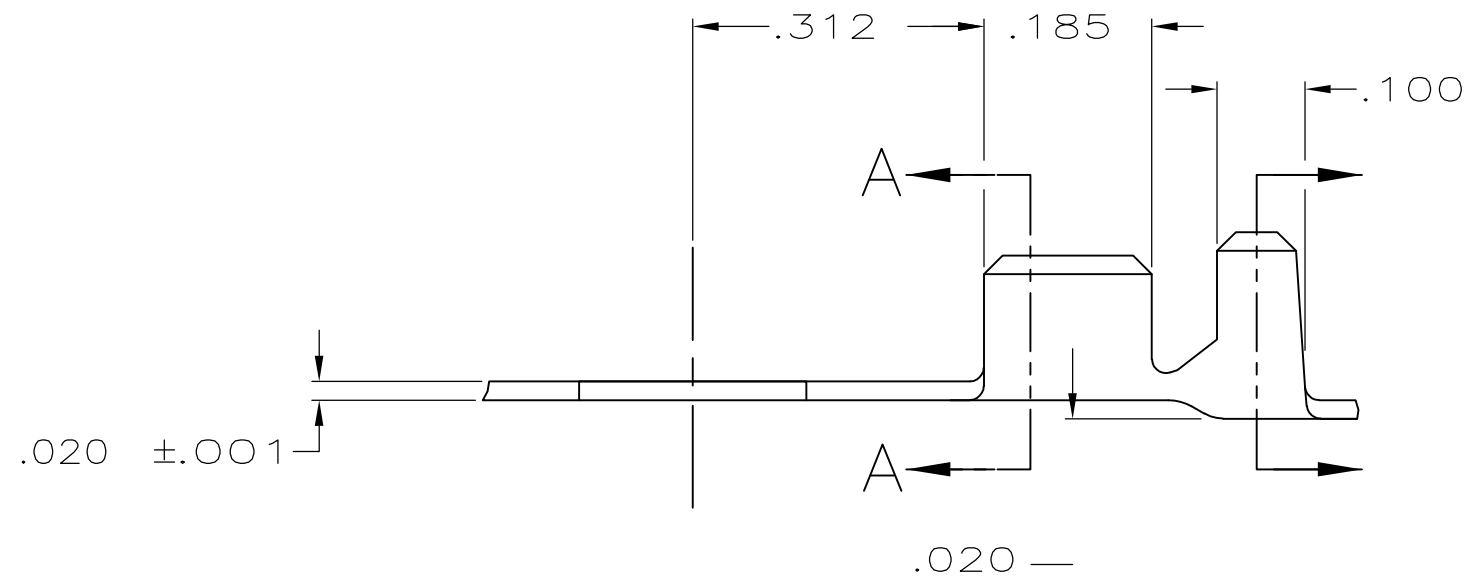
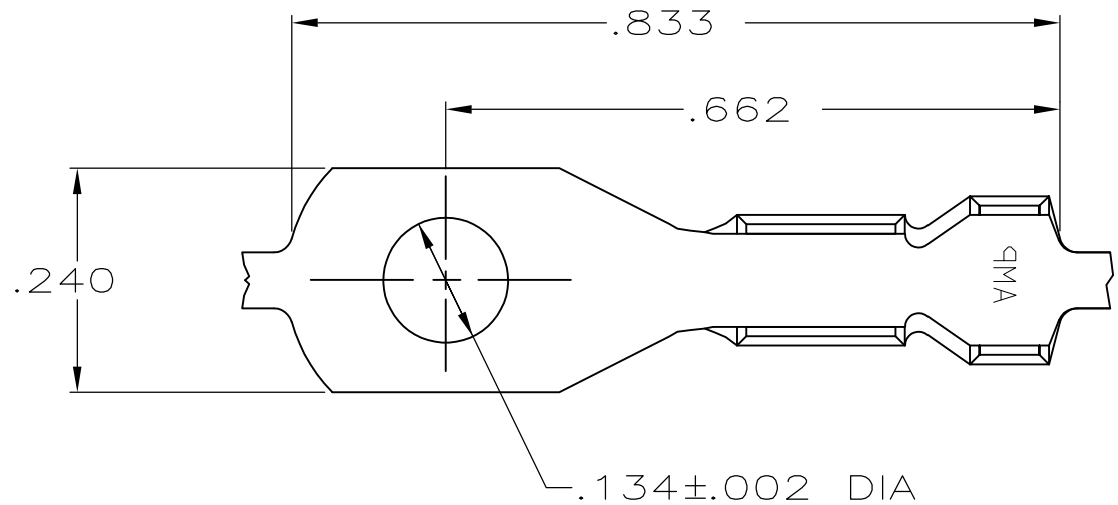
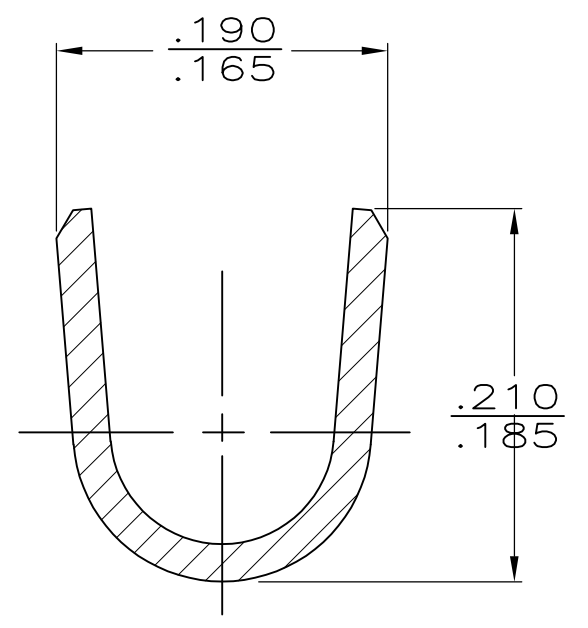


THIS DRAWING IS UNPUBLISHED. RELEASED FOR PUBLICATION, 19
 © COPYRIGHT 19 BY AMP INCORPORATED. ALL INTERNATIONAL RIGHTS RESERVED.

LOC	DIST	P	F	ZONE	LTR	DESCRIPTION	DATE	APPD
AF	50				A1	RELEASE PER FASR	2/23/89	—
					A2	REVISED PER ECR-15-015288	02/11/15	T.D



SECTION A-A
SCALE 10:1



SECTION B-B
SCALE 10:1

1 CONTINUOUS STRIP ON REELS

OBSOLETE		.100-.140	18-14	63518-1					
		INSULATION DIA	WIRE RANGE	PART NO					
F or O	.155	.235	F	.110	.085	14	DO NOT SCALE PRINT. UNLESS SPECIFIED DIMENSIONS IN INCHES TOLERANCES ON: 2. PLC DEC ± - 3. PLC DEC ± .010 ANGLES ± -	DR 10/17/88 P FORTNEY	AMP INCORPORATED Harrisburg, Pa. 17105
					.076	16		CHK 10/19/88 JR RUTH	
					.071	18		APPD 10/19/88 D DECKER	
TYPE		WIDTH	TYPE	WIDTH	±.002 HEIGHT	WIRE	MATERIAL	APPD 10/19/88 TL SHUTTER	NAME
INSUL BARREL CRIMP			WIRE BARREL CRIMP				#2 HARD BRASS	PRODUCT SPEC	RING
		STRIP LENGTH ±.015					FINISH	APPLICATION SPEC	SIZE
							PRE-TIN		B
								WEIGHT	FSCM NO
									00779
									DRAWING NO
									63518
									SCALE
									5:1
									SHEET
									1 OF 1

单击下面可查看定价，库存，交付和生命周期等信息

[>>TE Connectivity\(泰科\)](#)