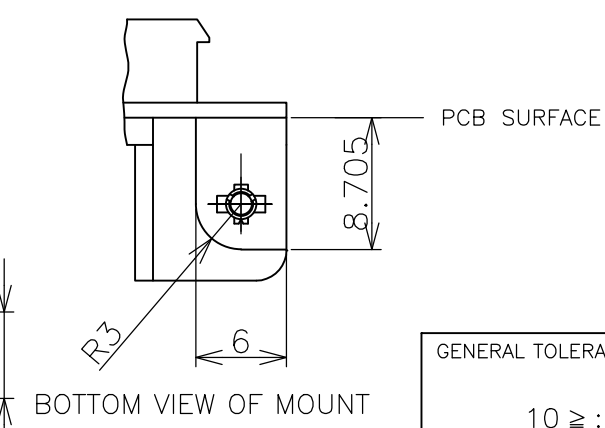
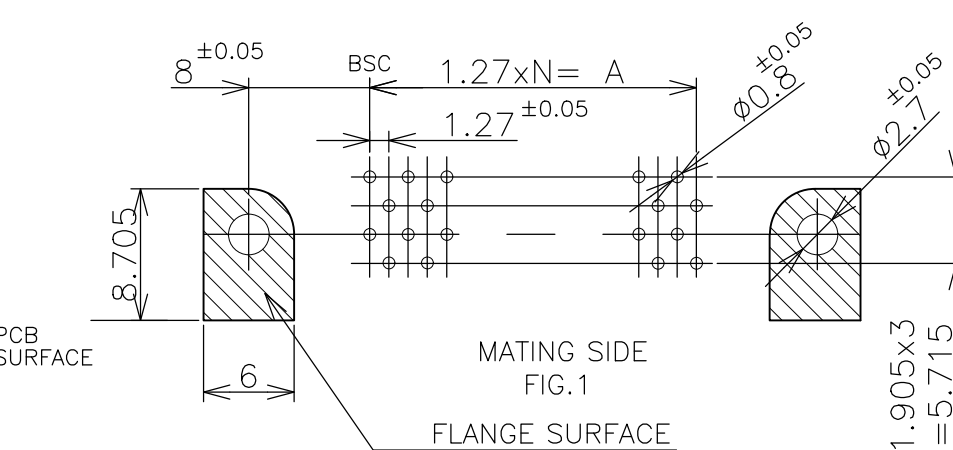
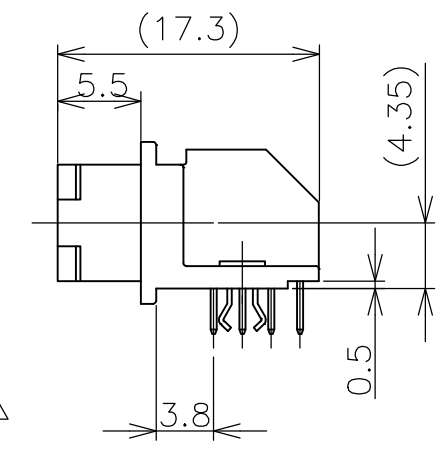
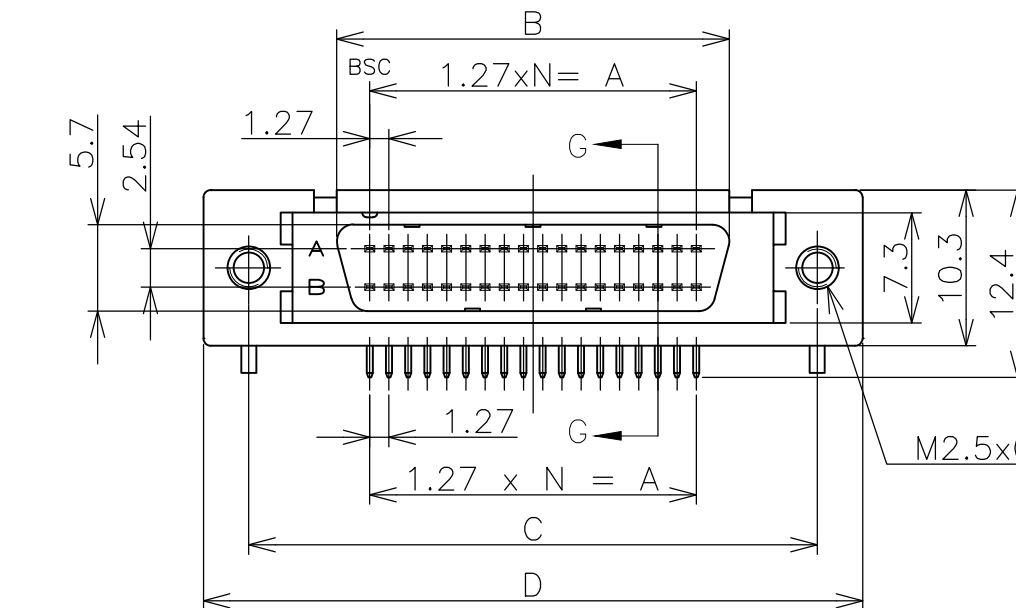
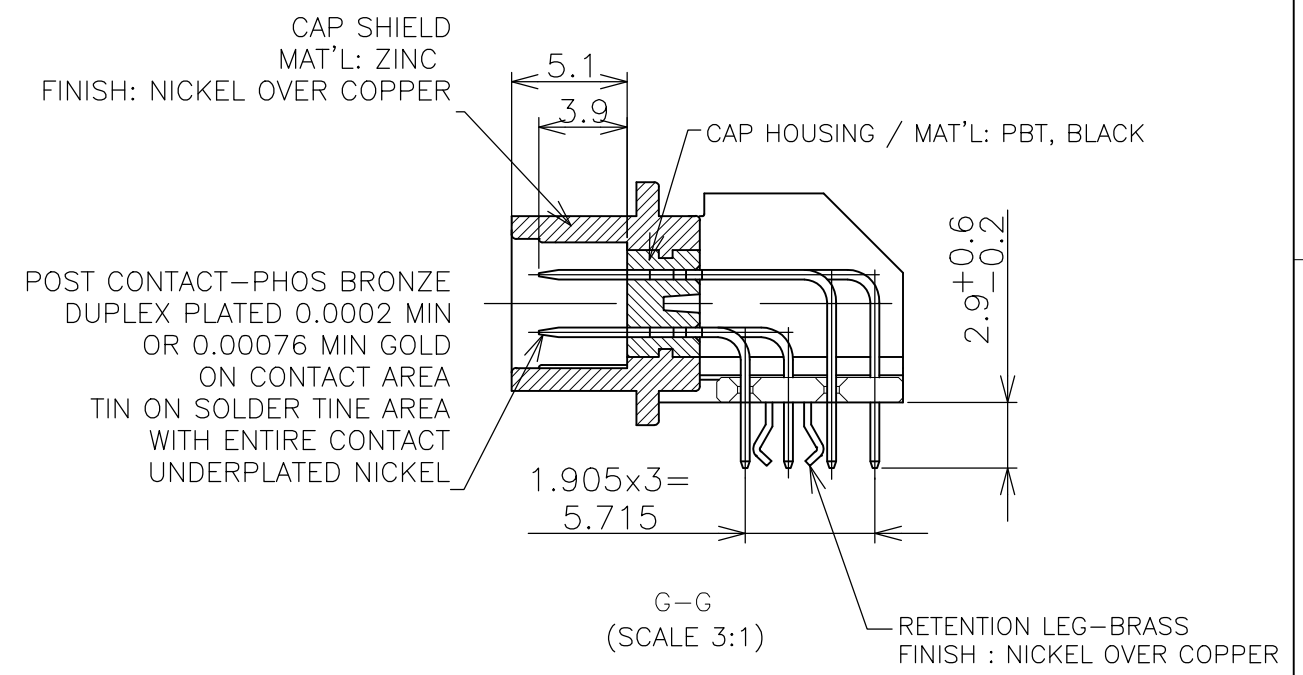
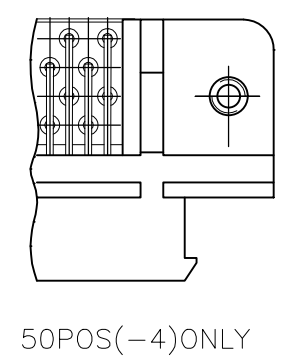
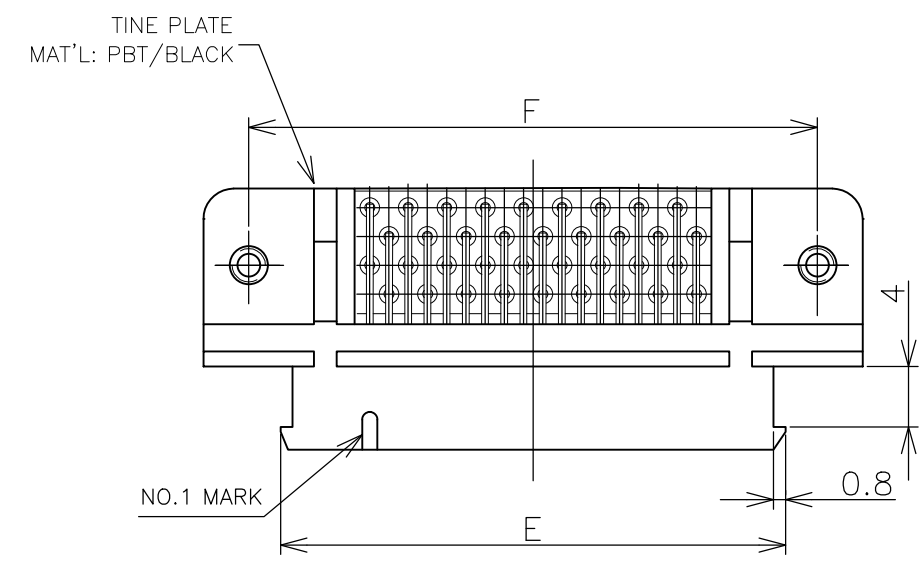


THIS DRAWING IS UNPUBLISHED. RELEASED FOR PUBLICATION . APR 1988
 © COPYRIGHT 1988 TE Connectivity Ltd. ALL RIGHTS RESERVED.

REVISIONS 変更					
P	LTR	DESCRIPTION	DATE	DWN	APVD
	B	REVISED PER ECO-19-007627	05DEC2019	AP	DG



GENERAL TOLERANCE

10 ≥ : ±0.2
 30 ≥ > 10: ±0.25
 100 ≥ > 30: ±0.3
 ANGLES: ±3°

POS	N	A	B	C	D	E	F	GOLD THK	PART NO.
96	47	59.69	64.06	75.7	81.7	71.49	75.7	0.00076 MIN	4-2-6
68	33	41.91	46.28	57.9	63.9	53.71	57.9		2--5
50	24	30.48	34.85	46.5	52.5	42.28	46.5		4-2-4
28	13	16.51	20.88	32.5	38.5	28.31	32.5		4-2-2
20	9	11.43	15.8	27.4	33.4	23.23	27.4	0.0002 MIN	4-2-1
96	47	59.69	64.06	75.7	81.7	71.49	75.7		--6
68	33	41.91	46.28	57.9	63.9	53.71	57.9		4--5
50	24	30.48	34.85	46.5	52.5	42.28	46.5		4--4
36	17	21.59	25.96	37.6	43.6	33.39	37.6	0.0002 MIN	4--3
28	13	16.51	20.88	32.5	38.5	28.31	32.5		4--2
20	9	11.43	15.8	27.4	33.4	23.23	27.4		4--1

- 1 P.C BOARD HOLE LAY-OUT AS SHOWN FIG.1
- 2 USED SCREW SIZE; M2.5 PANHEAD SCREW
- 3 CONNECTOR TO BE MATED;
X-5174340-X
- 4 OBSOLETE PARTS: OBSOLETE CIS STREAMLINING PER D.RENAUD/D.SINISI

THIS DRAWING IS A CONTROLLED DOCUMENT.

DWN: Roy Hao 17Aug04
 CHK: Steven Yao 17Aug04
 APVD: I.Enomoto 17Aug04

NAME: I.Enomoto
 PRODUCT SPEC: 108-60037-1
 APPLICATION SPEC: 取付適用規格

WEIGHT: A300779
 SCALE: 2:1
 SHEET: 1 OF 1
 REV: B

STE TE Connectivity

POST HEADER (HORIZONTAL, WITH R/L)
 AMPLIMITE .050 SERIES II CONN.
 TYPE B

RESTRICTED TO: 5174341-1

单击下面可查看定价，库存，交付和生命周期等信息

[>>TE Connectivity\(泰科\)](#)