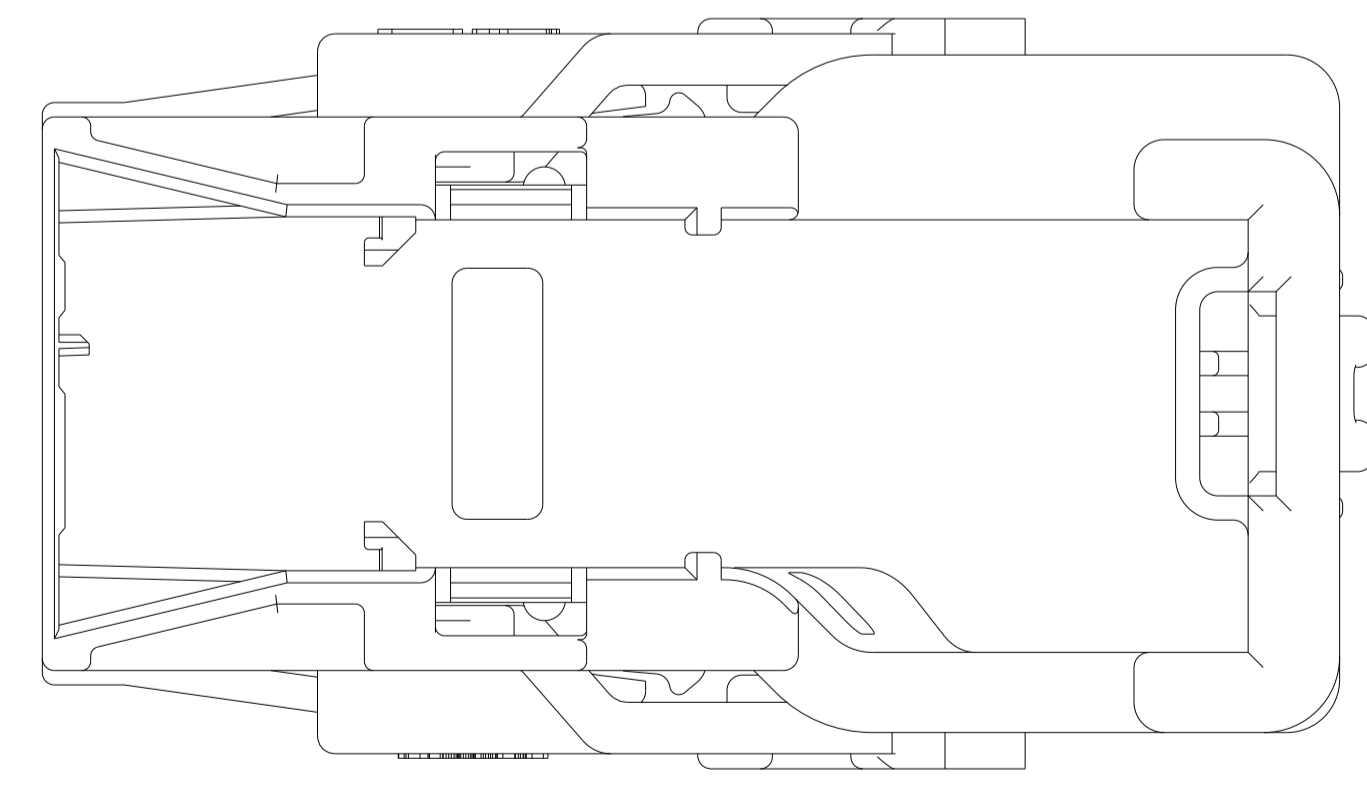
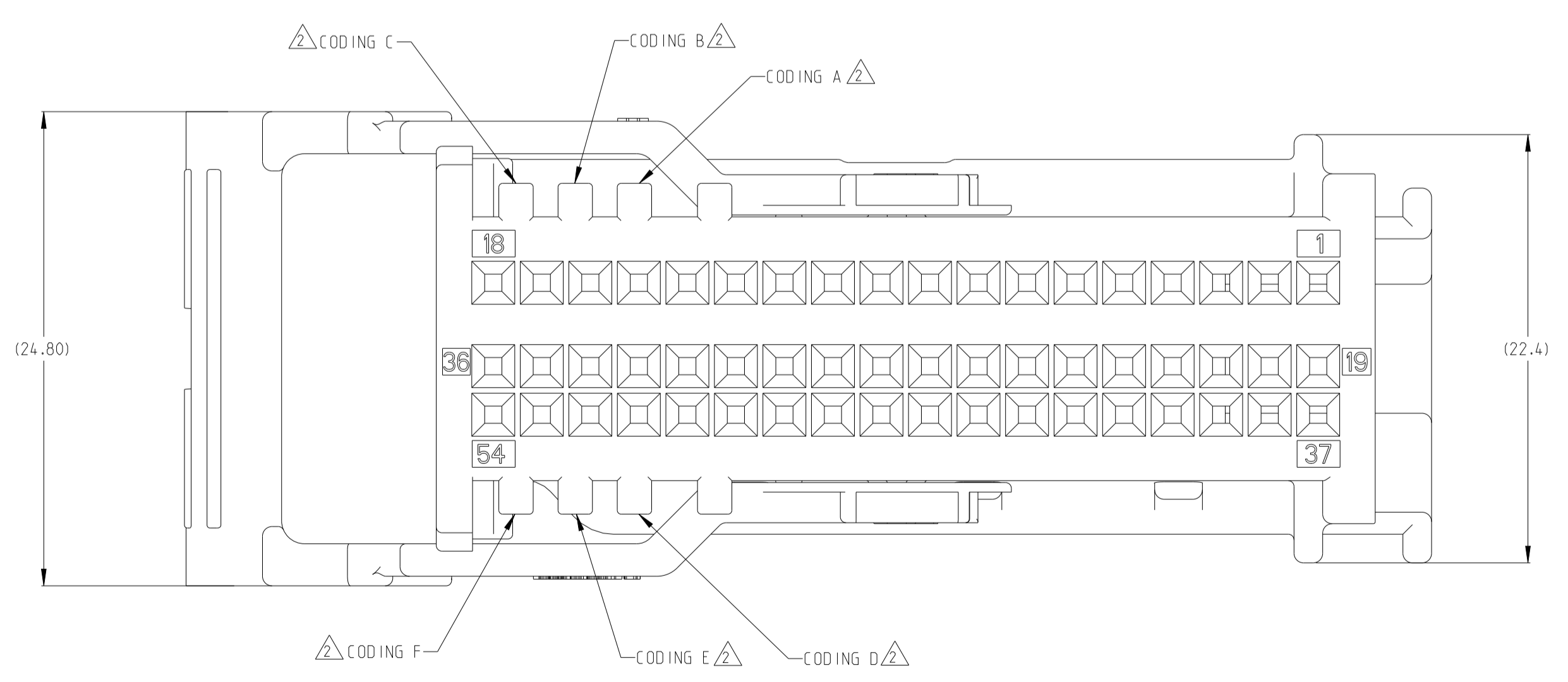
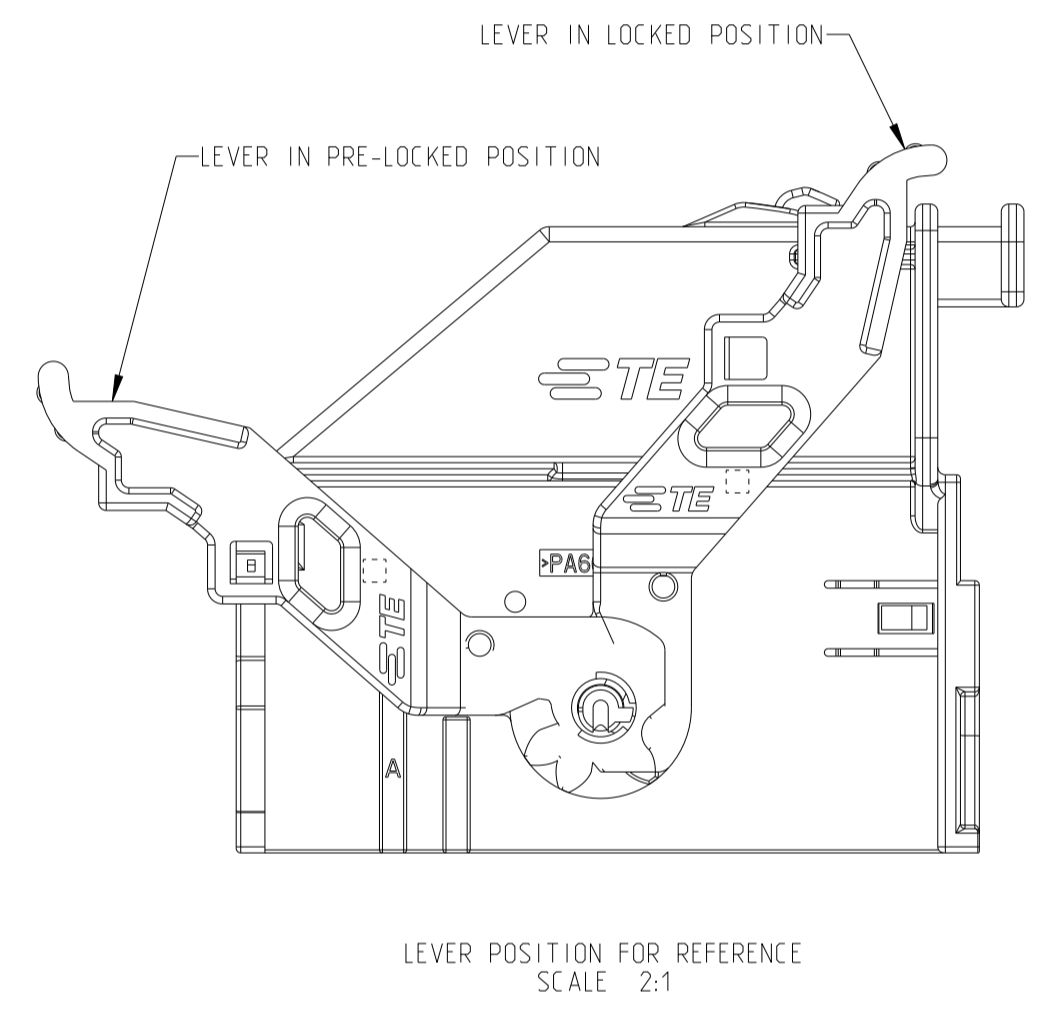
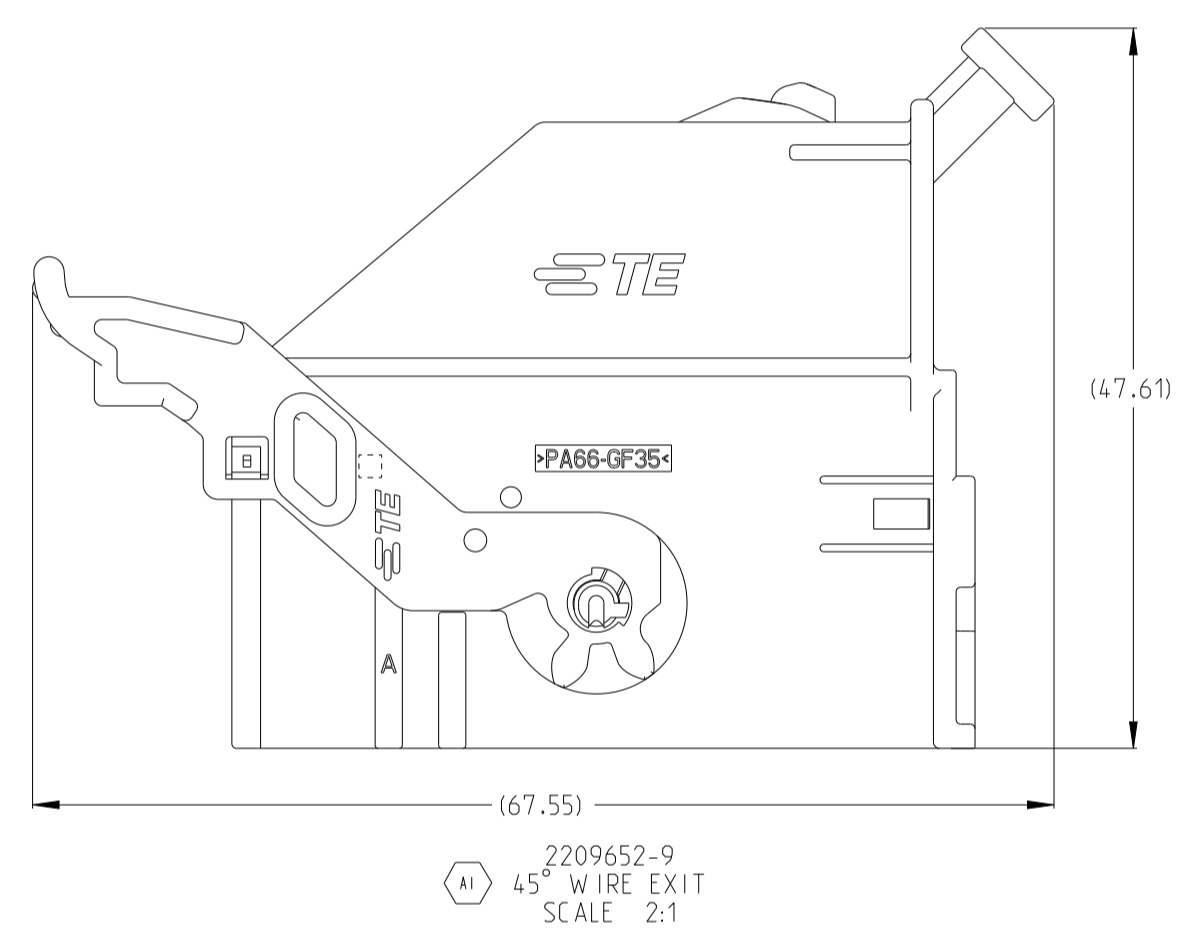
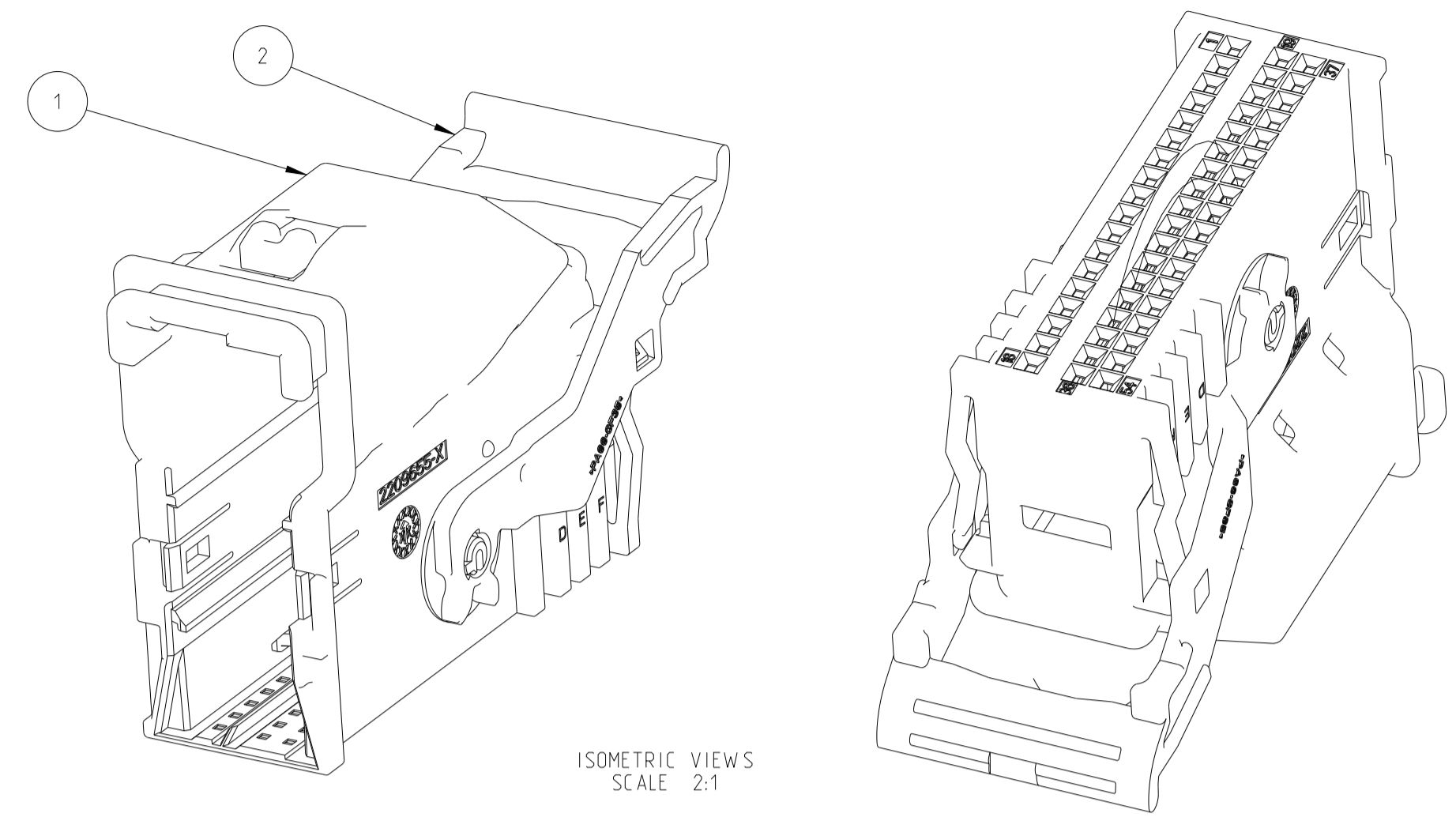
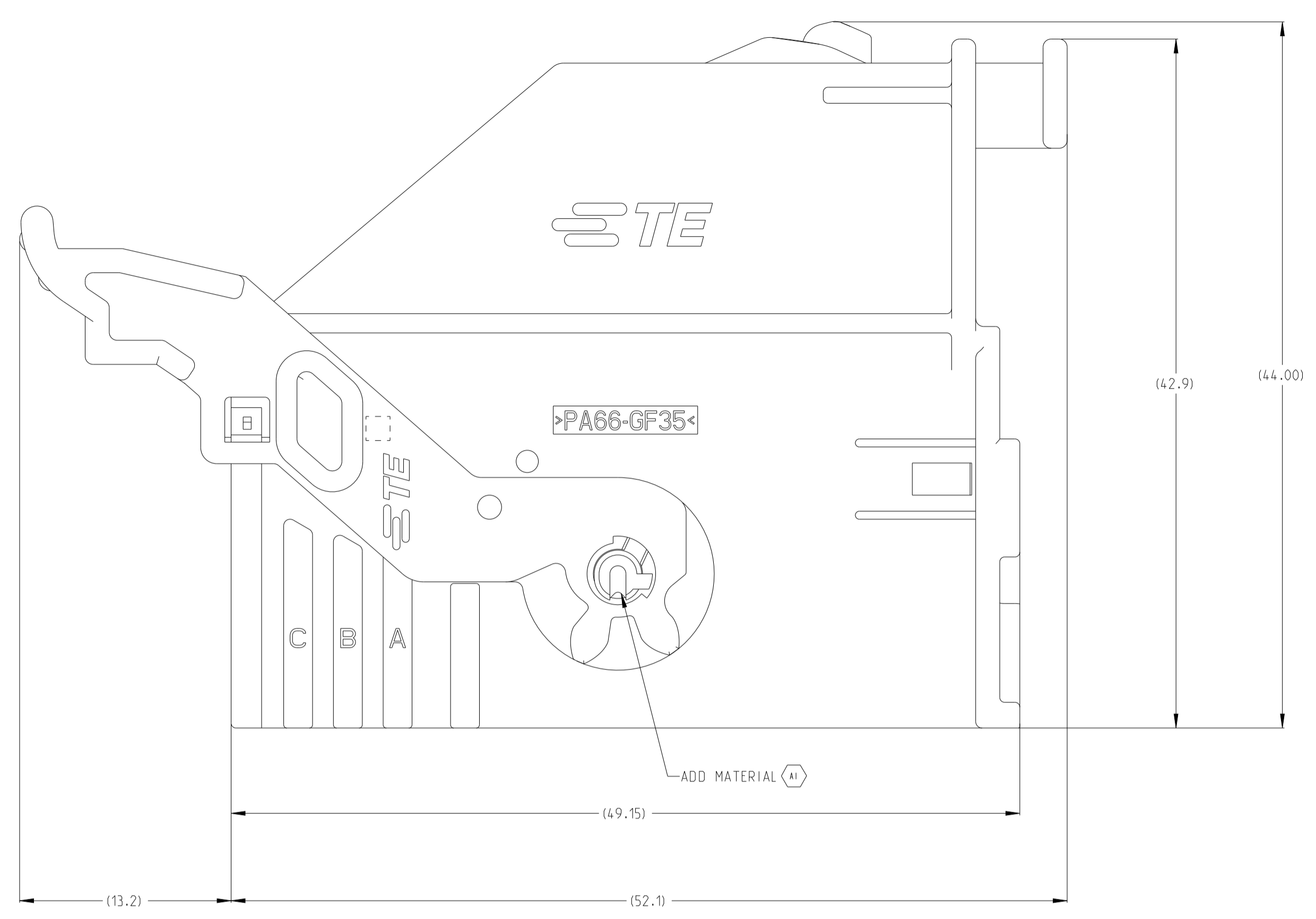


LOC		DIST		REVISIONS			
P	LTN	DESCRIPTION	DATE	DWN	APVD		
A		RELEASED	13MAR2013	C.C.	J.Y.		
A1		ADD 45° WIRE EXIT	12NOV2021	C.C.	J.Z.		



- NOTES:  
 1) WIRE COVER ASSEMBLY ACCEPTS CARRIER PART NUMBER 2098971-1 AND 2098972-1. CARRIER MUST BE ORDERED SEPARATELY AND BE ASSEMBLED TOGETHER BEFORE INSERTING INTO COVER.  
 2) ALL CODINGS SHOWN FOR REFERENCE ONLY. SEE BELOW PART NUMBER TABLE FOR CODING.  
 3) MAXIMUM WIRE LOADING: 54 TERMINALS CRIMPED TO 20 AWG WIRE WITH 1.60mm MAX OD INSULATION.  
 4) REFER TO INSTRUCTION SHEET 408-8662 FOR PRODUCT ASSEMBLY AND DISASSEMBLY PROCEDURES.  
 5) 2209652-1/-2 ARE AS LEFT VIEWS SHOWN. 2209652-9 IS 45° WIRE EXIT.

ITEM	DESCRIPTION	MATERIAL	COLOR	QUANTITY	ITEM
1	54P LEVER		GRAY	1	2
1	54P COVER 45° WIRE EXIT CODING AF	PA66-GF35	YELLOW	1	1
	54P COVER CODING CD				
	54P COVER CODING AF				

THIS DRAWING IS A CONTROLLED DOCUMENT.

DIMENSIONS:	TOLERANCES UNLESS OTHERWISE SPECIFIED:	DWN: C. Chen 13MAR2013	CHK: A. Dang 13MAR2013	APVD: Y. Yin 13MAR2013	NAME: WIRE COVER ASSEMBLY 54 POSN. 0.64mm PLUG
mm	0 PLC ±0.5 1 PLC ±0.5 2 PLC ±0.20 3 PLC ±0.20 4 PLC ±0.20 ANGLES ±1° FINISH	PRODUCT SPEC: 108-10143L	APPLICATION SPEC:	SIZE: A1	CAGE CODE: 00779
MATERIAL: SEE TABLE		WEIGHT: -	SCALE: 4:1	SHEET: 1 OF 1	REV: A1

CUSTOMER DRAWING

单击下面可查看定价，库存，交付和生命周期等信息

[>>TE Connectivity\(泰科\)](#)