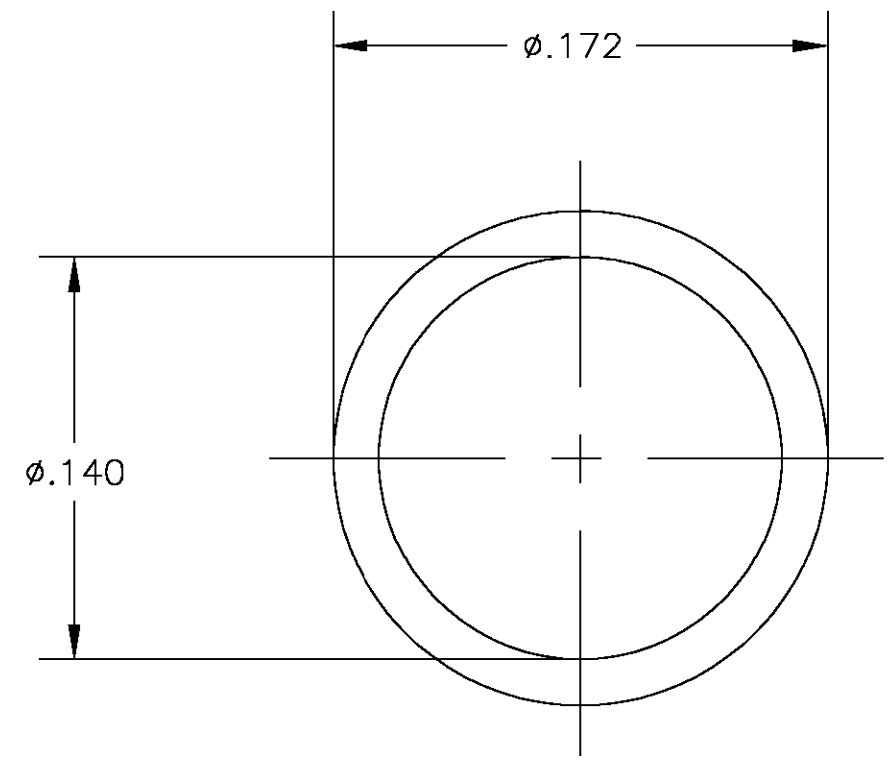
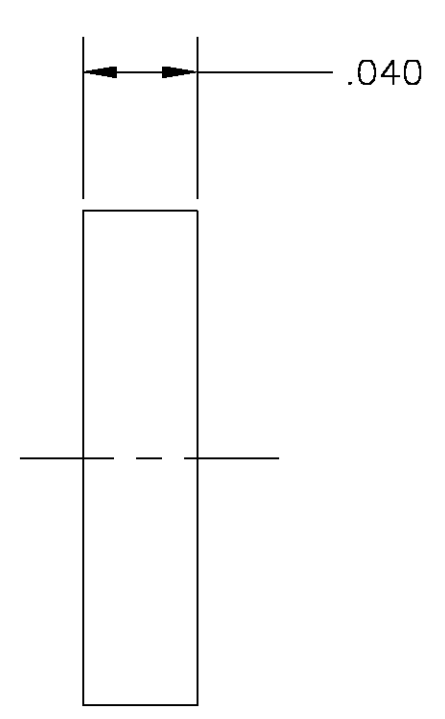


THIS DRAWING IS UNPUBLISHED. RELEASED FOR PUBLICATION  
 © COPYRIGHT BY TYCO ELECTRONICS CORPORATION. ALL RIGHTS RESERVED.

LOC	DIST	REVISIONS			
P	LTR	DESCRIPTION	DATE	DWN	APVD
HC	00	A	RELEASE	2/4/03	DCam



NOTE:  
 1. MATERIAL: CONDUCTIVE ELASTOMERS PER MIL-G-83528

1055344-1  
 PART NO

THIS DRAWING IS A CONTROLLED DOCUMENT.		DWN DCam	04FEB2003	<b>tyco</b> Electronics		Tyco Electronics Corporation Norwood, MA 02062													
DIMENSIONS: INCHES		CHK	-	APVD DCam		2/4/03													
TOLERANCES UNLESS OTHERWISE SPECIFIED:		PRODUCT SPEC		NAME GASKET (2098-3333-54)															
<table border="0"> <tr><td>0 PLC</td><td>± -</td></tr> <tr><td>1 PLC</td><td>± -</td></tr> <tr><td>2 PLC</td><td>± -</td></tr> <tr><td>3 PLC</td><td>± .005</td></tr> <tr><td>4 PLC</td><td>± -</td></tr> <tr><td>ANGLES</td><td>± 1</td></tr> </table>		0 PLC	± -	1 PLC	± -	2 PLC	± -	3 PLC	± .005	4 PLC	± -	ANGLES	± 1	APPLICATION SPEC		SIZE		CAGE CODE	DRAWING NO
0 PLC	± -																		
1 PLC	± -																		
2 PLC	± -																		
3 PLC	± .005																		
4 PLC	± -																		
ANGLES	± 1																		
MATERIAL		WEIGHT		A3		00779	©-1055344												
FINISH		CUSTOMER DRAWING		SCALE		SHEET	REV												
				15:1		1 OF 1	A												

单击下面可查看定价，库存，交付和生命周期等信息

[>>TE Connectivity\(泰科\)](#)