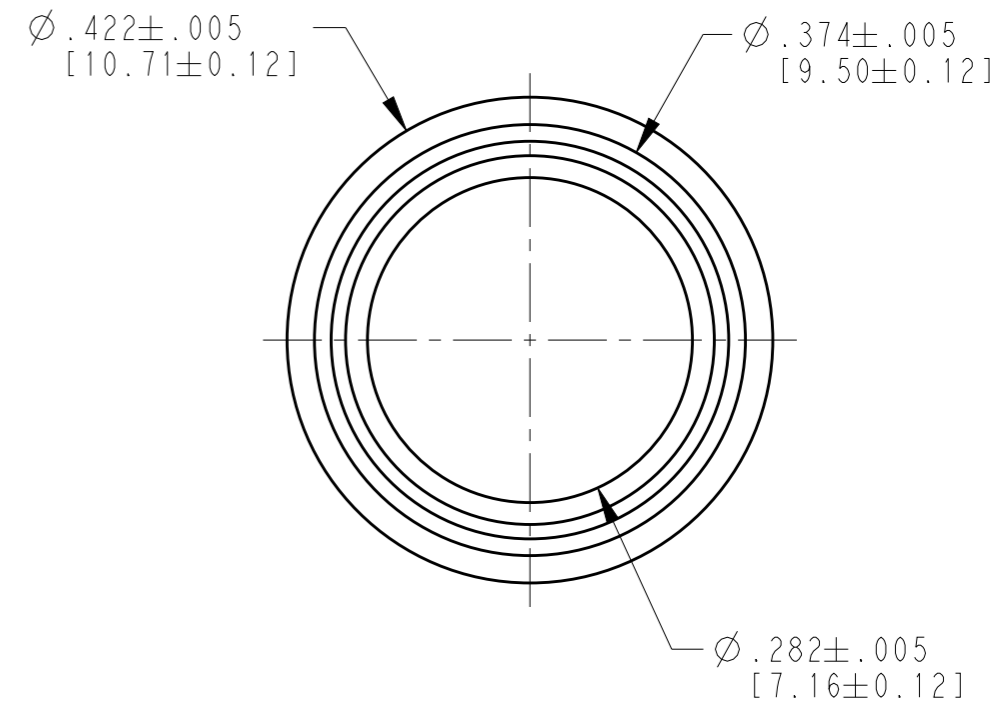
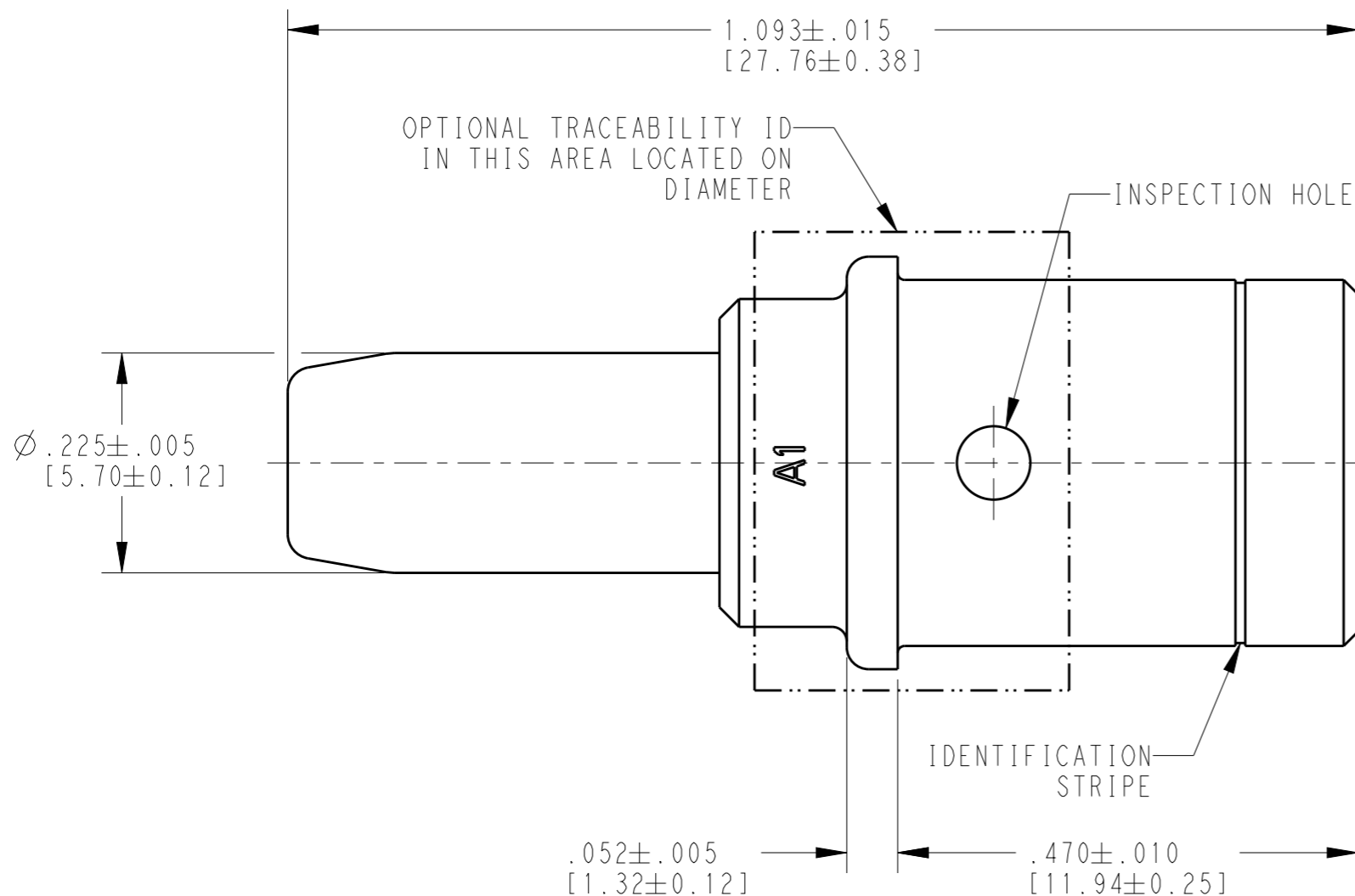


REVISIONS

P	LTR	DESCRIPTION	DATE	DWN	APVD
	NC	NEW RELEASE PER E.O. P21296	13FEB2012	JA	RDR
	A	REVISED PER E.O. P21378	08JUN2012	JA	RDR
	B	REVISED PER PCN E-18-012207	31JUL2018	JA	DM
	B1	REVISED PER PCN E-19-018080	19NOV2019	MK	DM



TE INTERNAL PN	DEUTSCH PN	PLATING
5960-203-04141	5960-203-04141	NICKEL
5960-203-0431	5960-203-0431	GOLD

(B1) 2. SEE APPLICATION SPECIFICATION 114-151004 FOR CRIMP TOOLS AND WIRE RANGE.

1. CONSULT FACTORY WHEN USING CONTACT OTHER THAN -C038 MODIFICATION.

NOTES: UNLESS OTHERWISE SPECIFIED

THIS DRAWING IS A CONTROLLED DOCUMENT.		DWN J. APOSTOL 09FEB2012	TE Connectivity	
DIMENSIONS: INCHES [mm]		CHK R. LEFFERTS 31MAY2012		
		APVD D. MEYER 01JUN2012	NAME CONTACT PIN, SIZE 4 ACCEPTS 4 AWG WIRE, -C038 MOD ONLY	
TOLERANCES UNLESS OTHERWISE SPECIFIED:		PRODUCT SPEC 108-151004	RESTRICTED TO	
0 PLC ± 1 PLC ± 2 PLC ± 3 PLC ± 4 PLC ± ANGLES ±		APPLICATION SPEC 114-151004	SIZE A3	CAGE CODE 4AFU8
MATERIAL		WEIGHT 8.35g	DRAWING NO 5960-203-04XX	
FINISH		CUSTOMER DRAWING		SCALE 6:1
		SHEET 1 OF 1		REV B1

单击下面可查看定价，库存，交付和生命周期等信息

[>>TE Connectivity\(泰科\)](#)